

Prosilica GS 1380



- Right-angle CCD camera with low height profile
- 30 fps @ full resolution
- Video-type auto iris
- Landscape or portrait sensor orientation

Landscape or portrait orientation

Right-angle CCD camera with Gigabit Ethernet interface

Prosilica GS 1380 搭载 Sony ICX285 传感器，在 1.4 MP 分辨率下速度可达 30.0 帧/秒。

Prosilica GS cameras are periscope-type CCD cameras for industrial and microscopy applications. The compact GS-Series cameras have a Gigabit Ethernet interface (GigE Vision) that allows for very fast frame rates and long cable lengths.

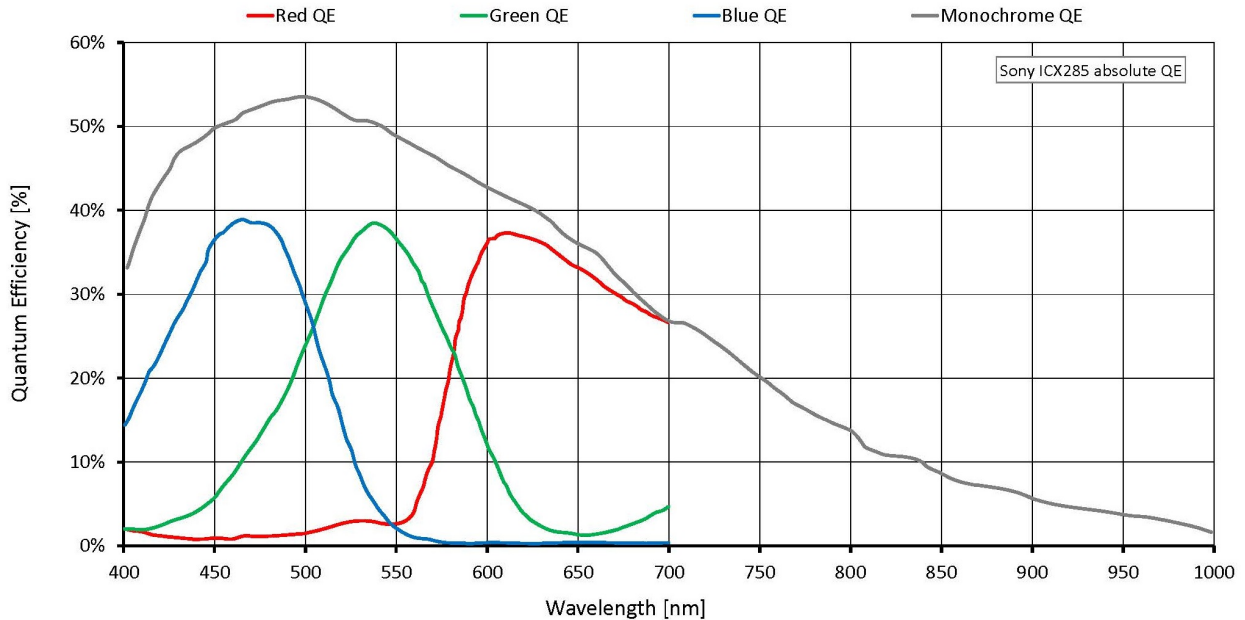
- Compact size
- Very rugged
- Fast frame rates to 120 fps
- VGA to 5 Megapixels
- Landscape or portrait orientation
- Optional white medical housing
- Modular options available

性能参数

Prosilica GS 1380	
接口	IEEE 802.3 1000baseT
分辨率	1360 (H) × 1024 (V)
传感器	Sony ICX285

Prosilica GS 1380	
传感器类型	CCD Progressive
快门种类	Global shutter
传感器尺寸	Type 2/3
像元尺寸	6.45 μm × 6.45 μm
标准镜头接口	C-Mount
最大满帧帧率	30 fps
ADC	14 Bit
缓存 (RAM)	16 MByte
输出	
Bit 位数	8/12 Bit
黑白像素格式	Mono8, Mono12, Mono12Packed
YUV 彩色像素格式	YUV411Packed, YUV422Packed, YUV444Packed
RGB 彩色像素格式	RGB8Packed, BGR8Packed
原始像素格式	BayerRG8, BayerRG12, BayerGR12Packed
通用输入输出口 (GPIOs)	
TTL I/Os	1 input, 1 output
光耦 I/Os	1 input, 1 output
RS232	1
工作条件/尺寸	
工作温度	0 °C to +70 °C ambient (without condensation)
电源要求 (DC)	5 to 25 VDC
功耗	3.5 W at 12 VDC
重量	187 g
尺寸 (L × W × H in mm)	96 × 56 × 26 (including connectors)
符合规范	CE: 2014/30/EU (EMC), 2011/65/EU, including amendment 2015/863/EU (RoHS); FCC Class A

量子转换效率



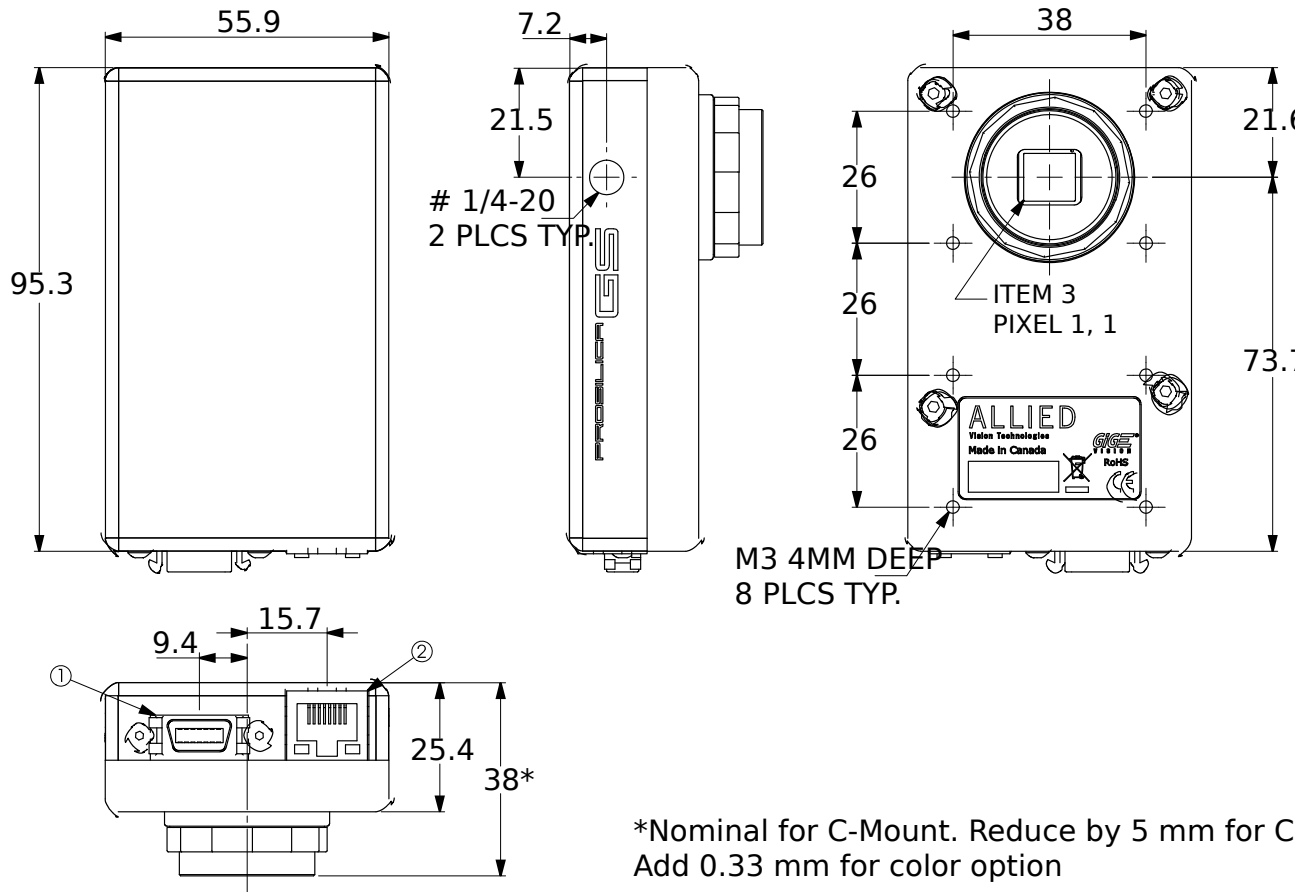
特性

Prosilica GS1380 features include:

- Auto-iris (video type)
- Region of interest (ROI), DSP subregion (selectable ROI for auto features)
- Binning (Sum)
- Auto gain (manual gain control: 0 to 30 dB)
- Auto exposure (manual exposure controls: 10 μ s to 78.5 s)
- Auto white balance
- StreamBytesPerSecond (bandwidth control)
- Stream hold
- Sync out modes: Trigger ready, input, exposing, readout, imaging, strobe, GPO
- Global shutter (digital shutter)
- Recorder and Multiframe acquisition modes
- Event channel
- Image chunk data

- Storable user sets

外形尺寸



应用场景

Prosilica GS1380 is ideal for a wide range of applications including:

- Industrial inspection
- Machine vision
- Microscopy
- Ophthalmology
- Fluorescence
- Aeronautical and aerospace
- Public security



- Surveillance