

Prosilica GE 4900



- 16 Megapixel camera
- ON Semi KAI-16000 sensor
- Galvanically isolated I/O
- Various lens mount options

For speed and good sensitivity

Compact, high performance CCD machine vision cameras with GigE Vision

Prosilica GE 4900 搭载 ON Semi KAI-16000 传感器，在 15.8 MP 分辨率下速度可达 3.0 帧/秒。

Prosilica GE cameras are very compact, high-performance machine vision cameras with Gigabit Ethernet interface (GigE Vision®).

The GigE interface allows for very fast frame rates and long cable lengths.

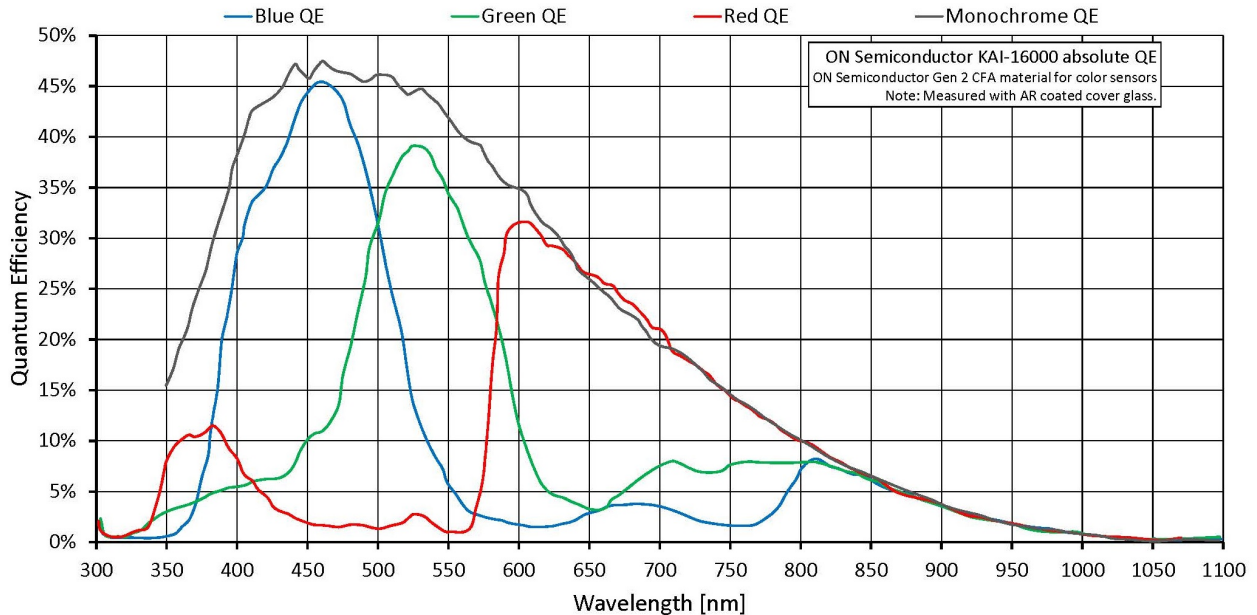
- Compact size
- VGA to 16 Megapixel resolution
- Fast frame rates to 205 fps
- OnSemi KAI CCD sensors
- Modular options available

性能参数

Prosilica GE 4900	
接口	IEEE 802.3 1000baseT
分辨率	4872 (H) × 3248 (V)
传感器	ON Semi KAI-16000
传感器类型	CCD Progressive
传感器尺寸	Type 35 mm
像元尺寸	7.4 μm × 7.4 μm

Prosilica GE 4900	
标准镜头接口	F-Mount
最大满帧帧率	3 fps
ADC	12 Bit
缓存 (RAM)	32 MByte
	输出
Bit 位数	8/12 Bit
黑白像素格式	Mono8, Mono12, Mono12Packed
原始像素格式	BayerGR8, BayerGR12, BayerGR12Packed
	通用输入输出口 (GPIOs)
TTL I/Os	1 input, 3 outputs (with galvanic isolation)
RS232	1
	工作条件/尺寸
工作温度	0 °C to +50 °C ambient (without condensation)
电源要求 (DC)	5 to 24 VDC
功耗	6 W at 12 VDC
重量	402 g
尺寸 (L × W × H in mm)	110 × 66 × 66 (including connectors)
符合规范	2011/65/EU, including amendment 2015/863/EU (RoHS)

量子转换效率



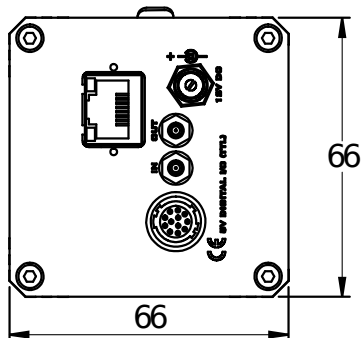
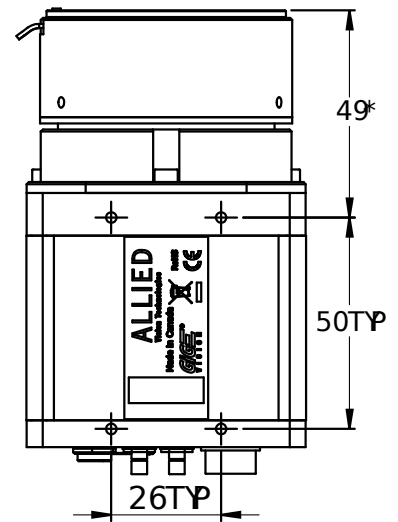
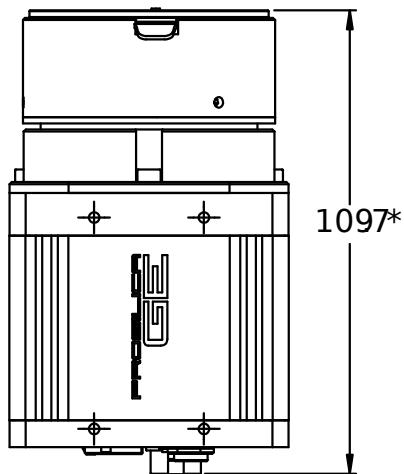
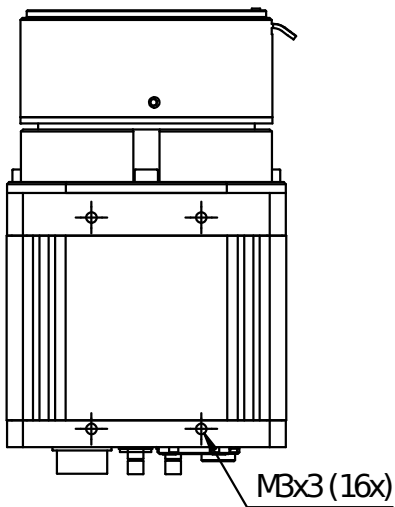
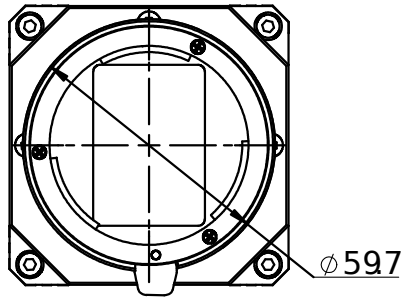
特性

Prosilica GE4900 features include:

- Defect masking for columns
- Region of interest (ROI), DSP subregion (selectable ROI for auto features)
- Binning (Sum)
- Auto gain (manual gain control: 0 to 34 dB)
- Auto exposure (manual exposure controls: 625 μ s to 68.7 s)
- Auto white balance
- StreamBytesPerSecond (bandwidth control)
- Stream hold
- Sync out modes: Trigger ready, input, exposing, readout, imaging, strobe, GPO
- Global shutter (digital shutter)
- Recorder and Multiframe acquisition modes
- Event channel

- Image chunk data
- Storable user sets

外形尺寸



*Nominal value Add 0.3mm for color cameras.

应用场景

Prosilica GE4900 is ideal for a wide range of applications including:

- LCD panel inspection
- Semiconductor wafer inspection
- Solar panel inspection
- High-resolution industrial inspection
- Aerial photography
- 3D metrology
- General machine vision
- Public security
- Surveillance
- Traffic imaging (Intelligent Traffic Systems)
- Embedded systems
- OEM applications