

# Prosilica GE 1900



- 30 fps @ full resolution
- ON Semiconductor KAI-2093 sensor
- Galvanically isolated I/O
- Various lens mount options

For speed and good sensitivity

Compact, high performance CCD machine vision cameras with GigE Vision

Prosilica GE 1900 搭载 ON Semi KAI-2093 传感器，在 2.1 MP 分辨率下速度可达 30.0 帧/秒。

Prosilica GE cameras are very compact, high-performance machine vision cameras with Gigabit Ethernet interface (GigE Vision®).

The GigE interface allows for very fast frame rates and long cable lengths.

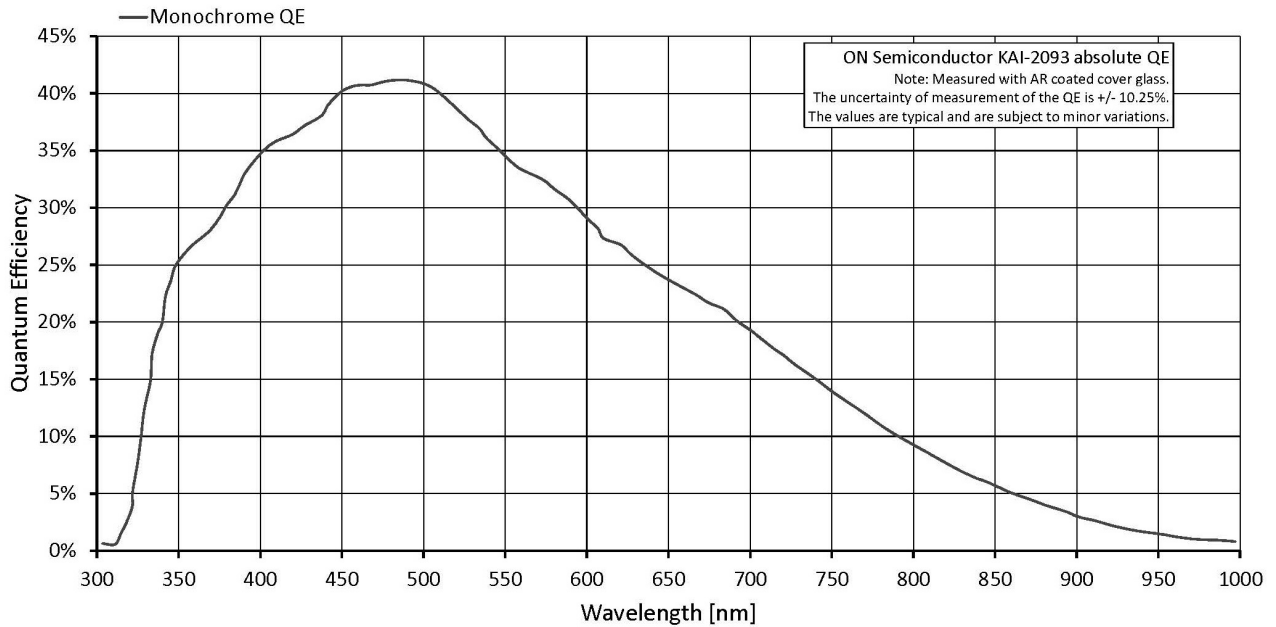
- Compact size
- VGA to 16 Megapixel resolution
- Fast frame rates to 205 fps
- OnSemi KAI CCD sensors
- Modular options available

## 性能参数

Prosilica GE 1900	
接口	IEEE 802.3 1000baseT
分辨率	1920 (H) × 1080 (V)
传感器	ON Semi KAI-2093
传感器类型	CCD Progressive
传感器尺寸	Type 1

<b>Prosilica GE 1900</b>	
像元尺寸	7.4 $\mu\text{m}$ $\times$ 7.4 $\mu\text{m}$
标准镜头接口	C-Mount
最大满帧帧率	30 fps
ADC	12 Bit
缓存 (RAM)	32 MByte
<b>输出</b>	
Bit 位数	8/12 Bit
黑白像素格式	Mono8, Mono12, Mono12Packed
<b>通用输入输出口 (GPIOs)</b>	
TTL I/Os	1 input, 3 outputs (with galvanic isolation)
RS232	1
<b>工作条件/尺寸</b>	
工作温度	0 °C to +50 °C ambient (without condensation)
电源要求 (DC)	5 to 24 VDC
功耗	5 W at 12 VDC
重量	169 g
尺寸 (L $\times$ W $\times$ H in mm)	80 $\times$ 51 $\times$ 39 (including connectors)
符合规范	2011/65/EU, including amendment 2015/863/EU (RoHS)

## 量子转换效率

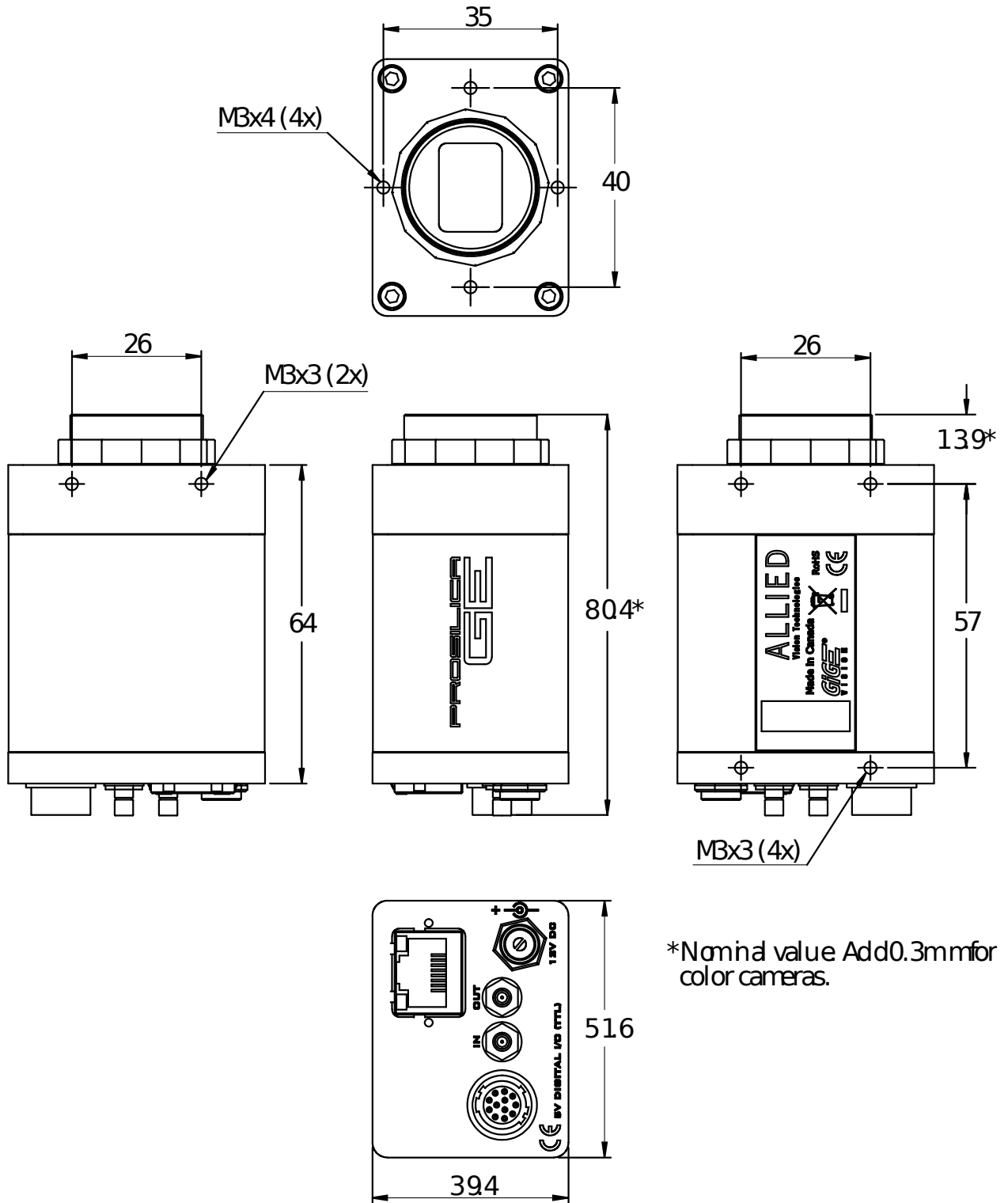


## 特性

Prosilica GE1900 features include:

- Region of interest (ROI), (selectable ROI for auto features)
- Binning (Sum)
- Auto gain (manual gain control: 0 to 34 dB)
- Auto exposure (manual exposure controls: 50  $\mu$ s to 53.7 s)
- StreamBytesPerSecond (bandwidth control)
- Stream hold
- Sync out modes: Trigger ready, input, exposing, readout, imaging, strobe, GPO
- Global shutter (digital shutter)
- Recorder and Multiframe acquisition modes
- Event channel
- Image chunk data
- Storable user sets

## 外形尺寸



## 应用场景

Prosilica GE1900 is ideal for a wide range of applications including:

- Industrial inspection
- Machine vision
- LCD panel inspection
- Medical imaging
- Ophthalmology
- Aeronautical and aerospace
- Public security
- Surveillance
- Traffic imaging
- OEM applications