

Prosilica GC 660



- Sony ICX618 sensor
- 121 fps @ full resolution
- Rugged housing
- Video-type auto iris

体积紧凑、性能强劲

Prosilica GC - 超紧凑千兆网相机

Prosilica GC 660 搭载 Sony ICX618 传感器，在 0.3 MP 分辨率下速度可达 121.0 帧/秒。

Prosilica GC 是一款千兆网相机，具有超紧凑、轻巧的外壳、快速的帧速率和自动光圈控制。它提供了高达 500 万像素的多种 CCD 和 CMOS 传感器选择，适用多种应用。

Easy software integration with [Allied Vision's Vimba Suite](#) and compatibility to the most popular third party image-processing libraries.

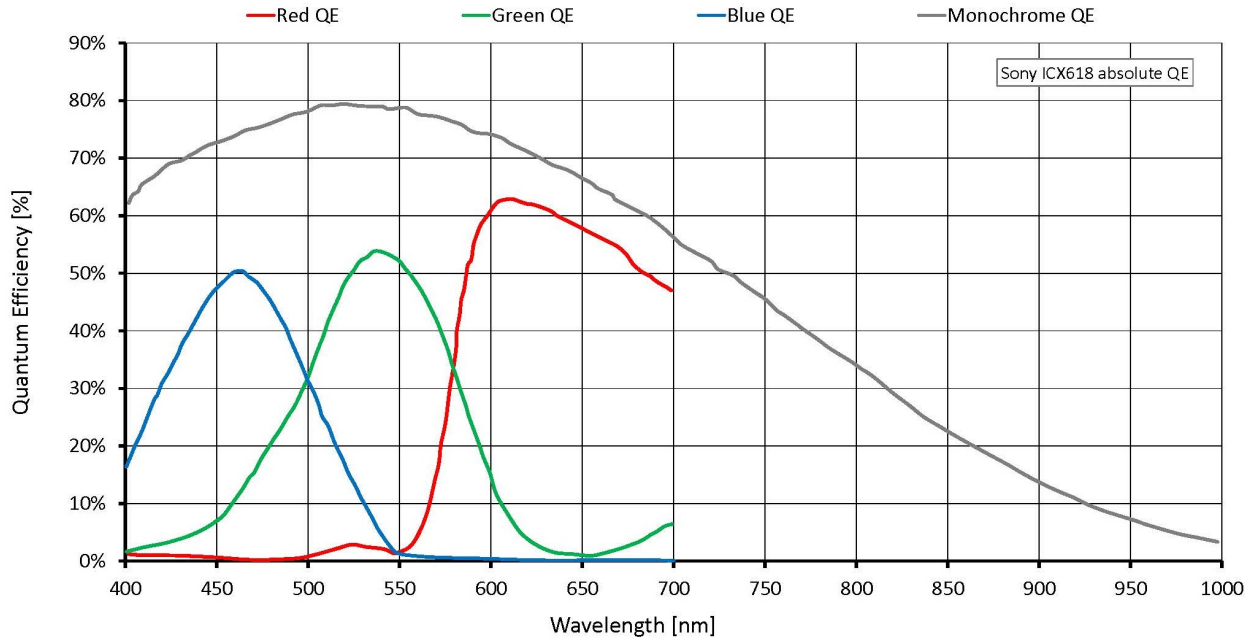
See the [Modular Concept](#) for lens mount, housing variants, optical filters, case design, and other modular options. See the [Customization and OEM Solutions webpage](#) for additional options.

性能参数

Prosilica GC 660	
接口	IEEE 802.3 1000baseT
分辨率	658 (H) × 493 (V)
传感器	Sony ICX618
传感器类型	CCD Progressive
快门种类	Global shutter
传感器尺寸	Type 1/4
像元尺寸	5.6 μm × 5.6 μm
标准镜头接口	C-Mount
最大满帧帧率	121 fps

Prosilica GC 660	
ADC	12 Bit
缓存 (RAM)	64 MByte
非易失性内存 (Flash)	1024 KByte (for selected models only)
成像性能	
<p>成像性能数据是基于欧洲机器视觉协会 (EMVA) 1288 发布的 3.1 版图像传感器和像机特征描述标准中的评估方法。测量值是在没有光学滤波片的全分辨率下，测量单色模型的典型值。请联系销售或工程师了解更多信息。</p>	
在波长为 529nm 下，量子转换效率	79 %
暗噪声	16.7 e ⁻
饱和电子数	49400 e ⁻
动态范围	61.0 dB
绝对灵敏度阈值	17.3 e ⁻
输出	
Bit 位数	8/12 Bit
黑白像素格式	Mono8, Mono12, Mono12Packed
RGB 彩色像素格式	RGB8Packed, BGR8Packed
原始像素格式	BayerRG8, BayerRG12, BayerRG12Packed
通用输入输出口 (GPIOs)	
TTL I/Os	1 input, 1 output
光耦 I/Os	1 input, 1 output
RS232	1
工作条件/尺寸	
工作温度	0 °C to +50 °C ambient (without condensation)
电源要求 (DC)	5 to 25 VDC
功耗	3 W at 12 VDC
重量	105 g
尺寸 (L × W × H in mm)	59 × 46 × 33 (including connectors)
符合规范	CE: 2014/30/EU (EMC), 2011/65/EU, including amendment 2015/863/EU (RoHS); FCC Class A; CAN ICES-003

量子转换效率



特性

Image optimization features:

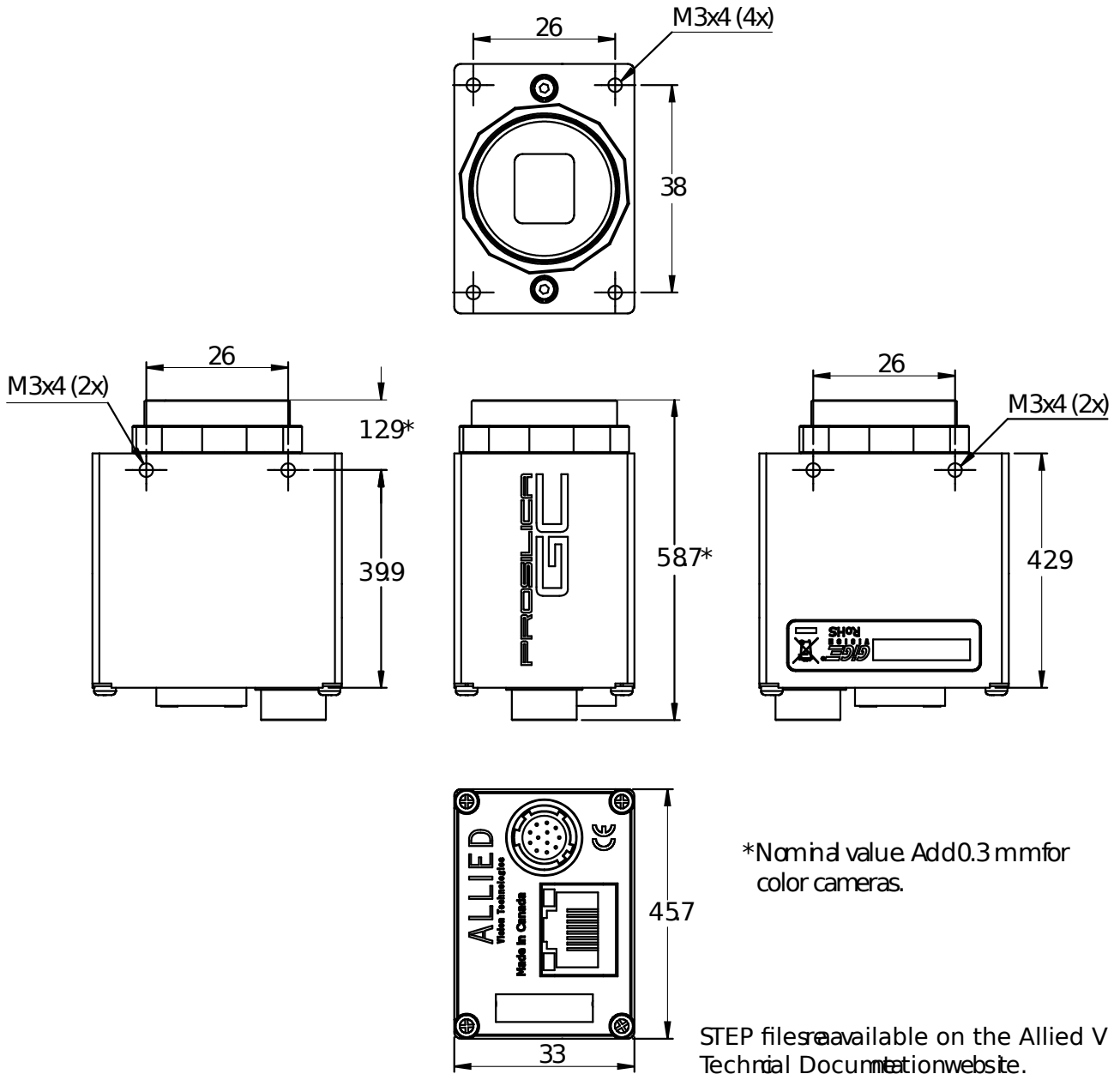
- Auto gain (manual gain control: 0 to 34 dB; 1 dB increments)
- Auto exposure (manual exposure control: 10 μ s to 72.9 s; 1 μ s increments)
- Auto white balance (GC660C only)
- Binning (horizontal and vertical) (sum)
- Black level (Offset)
- Gamma correction
- Hue, saturation, color transformation (GC660C only)
- Three look-up tables (LUTs)
- Region of interest (ROI), DSP subregion (selectable ROI for auto features)

Camera control features:

- Auto-iris (video type)

- Event channel
- Global shutter (digital shutter)
- IEEE 1588 Precision Time Protocol
- Image chunk data
- Recorder and Multiframe acquisition modes
- RS232
- Three storable user sets
- StreamBytesPerSecond (easy bandwidth control)
- StreamHoldCapacity (up to 194 frames at full resolution)
- Sync out modes: Trigger ready, input, exposing, readout, imaging, strobe, GPO
- Temperature monitoring (mainboard only)
- Non-volatile memory 1024 KByte (for selected models only)

外形尺寸



应用场景

Prosilica GC660 is ideal for a wide range of applications including:

- Machine vision
- Industrial inspection
- Public security



- Traffic monitoring
- Robotics