

Prosilica GC 1600H



- Sony ICX274 CCD sensor
- 25 fps @ full resolution
- Rugged housing
- Video-type auto iris

体积紧凑、性能强劲

Prosilica GC - 超紧凑千兆网相机

Prosilica GC 1600H 搭载 Sony ICX274 传感器，在 2.0 MP 分辨率下速度可达 25.0 帧/秒。

Prosilica GC 是一款千兆网相机，具有超紧凑、轻巧的外壳、快速的帧速率和自动光圈控制。它提供了高达 500 万像素的多种 CCD 和 CMOS 传感器选择，适用多种应用。

Easy software integration with [Allied Vision's Vimba Suite](#) and compatibility to the most popular third party image-processing libraries.

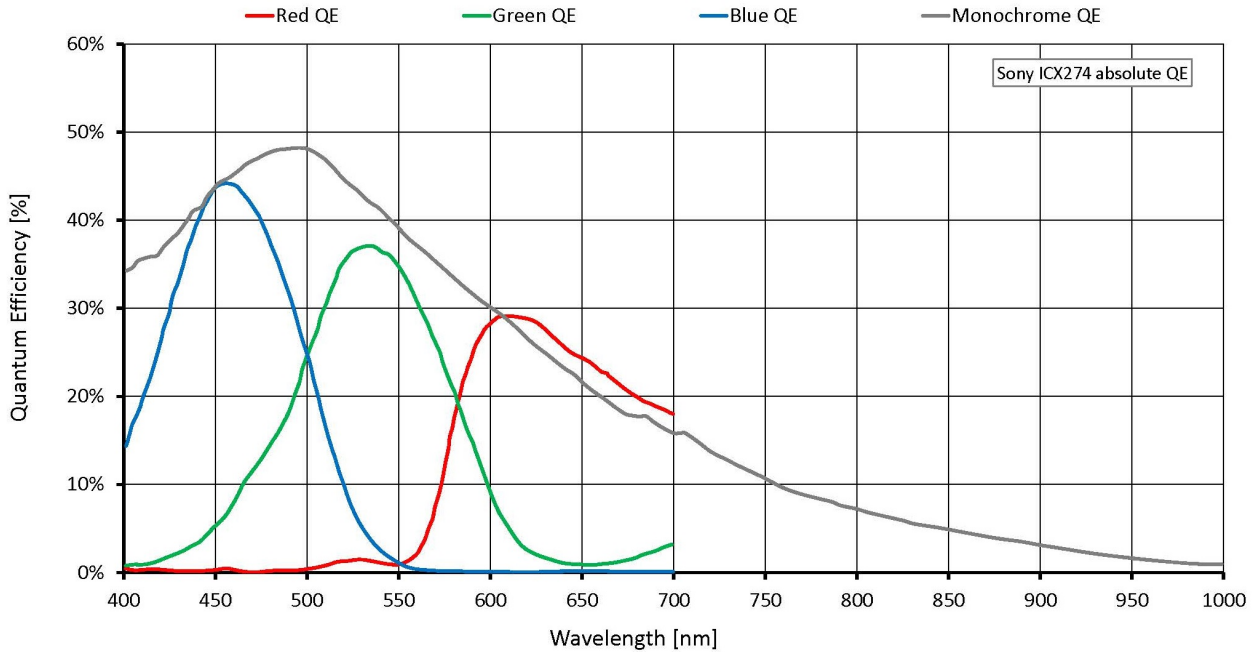
See the [Modular Concept](#) for lens mount, housing variants, optical filters, case design, and other modular options. See the [Customization and OEM Solutions webpage](#) for additional options.

性能参数

| Prosilica GC 1600H | |
|--------------------|----------------------|
| 接口 | IEEE 802.3 1000baseT |
| 分辨率 | 1620 (H) × 1220 (V) |
| 传感器 | Sony ICX274 |
| 传感器类型 | CCD Progressive |
| 快门种类 | Global shutter |
| 传感器尺寸 | Type 1/1.8 |
| 像元尺寸 | 4.4 μm × 4.4 μm |
| 标准镜头接口 | C-Mount |
| 最大满帧帧率 | 25 fps |

| Prosilica GC 1600H | |
|---|---|
| ADC | 12 Bit |
| 缓存 (RAM) | 64 |
| 非易失性内存 (Flash) | 1024 KByte (for selected models only) |
| 成像性能 | |
| <p>成像性能数据是基于欧洲机器视觉协会 (EMVA) 1288 发布的 3.1 版图像传感器和像机特征描述标准中的评估方法。测量值是在没有光学滤波片的全分辨率下，测量单色模型的典型值。请联系销售或工程师了解更多信息。</p> | |
| 在波长为 529nm 下，量子转换效率 | 70 % |
| 暗噪声 | 10.7 e ⁻ |
| 饱和电子数 | 3300 e ⁻ |
| 动态范围 | 49.3 dB |
| 绝对灵敏度阈值 | 11.2 e ⁻ |
| 输出 | |
| Bit 位数 | 8/12 Bit |
| 黑白像素格式 | Mono8, Mono12, Mono12Packed |
| RGB 彩色像素格式 | RGB8Packed, BGR8Packed |
| 原始像素格式 | BayerRG8, BayerRG12, BayerRG12Packed |
| 通用输入输出口 (GPIOs) | |
| TTL I/Os | 1 input, 1 output |
| 光耦 I/Os | 1 input, 1 output |
| RS232 | 1 |
| 工作条件/尺寸 | |
| 工作温度 | 0 °C to +50 °C ambient (without condensation) |
| 电源要求 (DC) | 5 to 25 VDC |
| 功耗 | 3.3 W at 12 VDC |
| 重量 | 105 g |
| 尺寸 (L × W × H in mm) | 59 × 46 × 33 (including connectors) |
| 符合规范 | CE: 2014/30/EU (EMC), 2011/65/EU, including amendment 2015/863/EU (RoHS); FCC Class A; CAN ICES-003 |

量子转换效率



特性

Image optimization features:

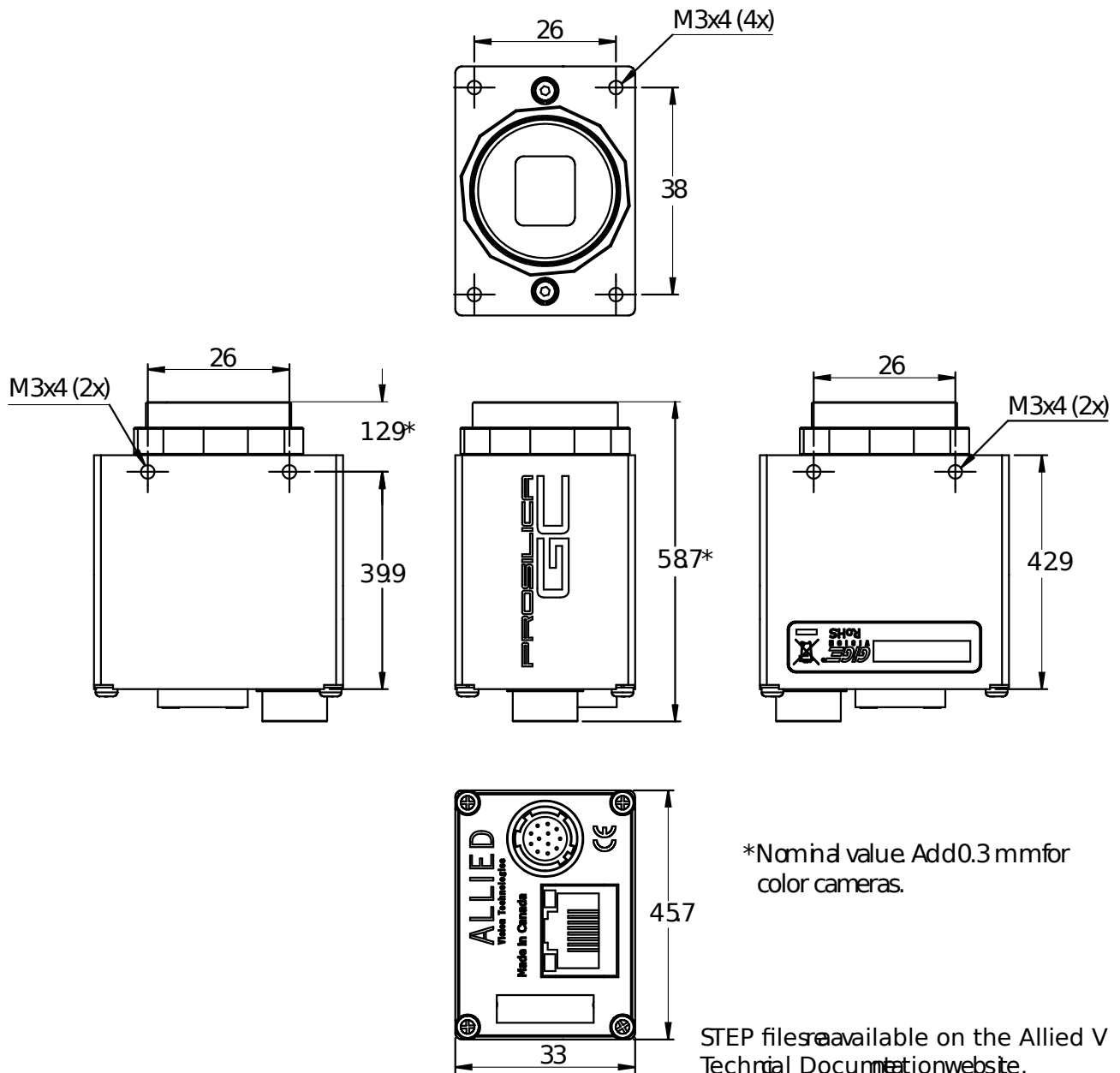
- Auto gain (manual gain control: 0 to 30 dB; 1 dB increments)
- Auto exposure (manual exposure control: 10 μ s to 68.7 s; 1 μ s increments)
- Auto white balance (GC1600CH only)
- Binning (horizontal and vertical) (sum)
- Black level (Offset)
- Gamma correction
- Hue, saturation, color transformation (GC1600CH only)
- Three look-up tables (LUTs)
- Region of interest (ROI), DSP subregion (selectable ROI for auto features)

Camera control features:

- Auto-iris (video type)

- Event channel
- Global shutter (digital shutter)
- IEEE 1588 Precision Time Protocol
- Image chunk data
- Recorder and Multiframe acquisition modes
- RS232
- Three storable user sets
- StreamBytesPerSecond (bandwidth control)
- StreamHoldCapacity (Up to 33 frames at full resolution)
- Sync out modes: Trigger ready, input, exposing, readout, imaging, strobe, GPO
- Temperature monitoring (mainboard only)
- Non-volatile memory 1024 KByte (for selected models only)

外形尺寸



应用场景

Prosilica GC1600H is ideal for a wide range of applications including:

- Industrial inspection
- Machine vision
- Ophthalmology



- LCD panel inspection
- Aeronautical and aerospace
- Biometrics
- Public security
- Surveillance
- Traffic imaging
- OEM applications