



Mako

G-508B POL

- Sony IMX250MZR polarized CMOS sensor
- IEEE 1588 PTP
- Trigger over Ethernet
- Power over Ethernet

以小见大

超紧凑型千兆网接口相机

Mako G-508B POL 搭载 Sony IMX250MZR 传感器，在 5.1 MP 分辨率下速度可达 23.7 帧/秒。

Mako G 相机兼容千兆网接口，且配备紧凑、坚固的工业级外壳，价格极具吸引力。其中多款机型配备各种高级功能，如精准时间控制协议 (PTP)、以太网触发 (ToE) 动作指令和以太网供电 (PoE)。RJ45 螺纹接口连接器和多路输入/输出便于系统直接集成。Mako G 相机提供近红外版 (NIR) 和偏光版两种版本供客户选择。

与 Allied Vision 的 **Vimba 套件** 轻松集成，并与最流行的 **第三方图像处理库** 兼容。

请参阅关于镜头接口、外壳选项、光学滤镜、外壳设计和其他模块化选项。如需特别定制，请参阅 **OEM 定制方案** 网页。

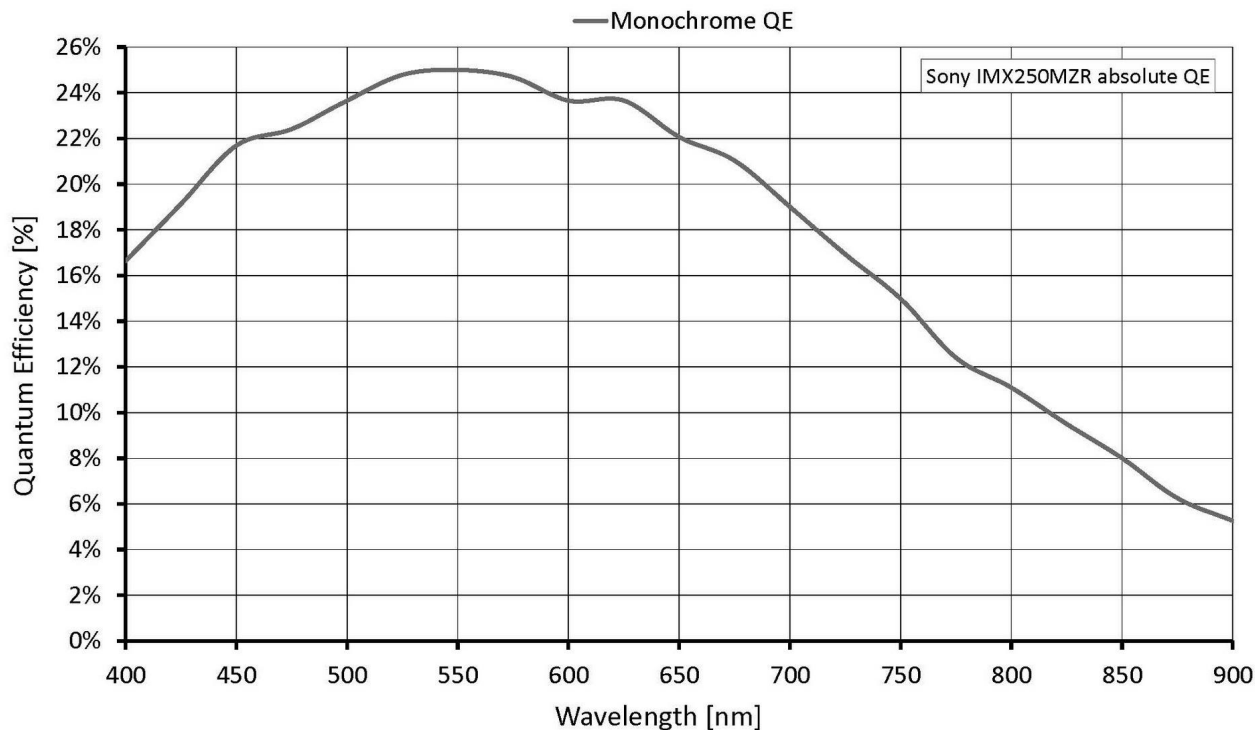
性能参数

Mako G-508B POL	
接口	IEEE 802.3 1000BASE-T, IEEE 802.3af (PoE)
分辨率	2464 (H) × 2056 (V)
传感器	Sony IMX250MZR
传感器类型	CMOS
快门种类	Global shutter
传感器尺寸	Type 2/3
像元尺寸	3.45 μm × 3.45 μm
Lens mounts (available)	C-Mount, CS-Mount

Mako G-508B POL

最大满帧帧率	23.7 fps
ADC	12 Bit
缓存 (RAM)	64 MByte
成像性能	
Imaging performance data is based on the evaluation methods in the EMVA 1288 Release 3.1 standard for characterization of image sensors and cameras. Measurements are typical values for monochrome models measured at full resolution without optical filter and unpolarized light. Contact Sales or AE for more information.	
在波长为 529nm 下, 量子转换效率	25 %
暗噪声	2.1 e ⁻
饱和电子数	10200 e ⁻
动态范围	71.4 dB
绝对灵敏度阈值	2.8 e ⁻
输出	
Bit 位数	12 Bit
黑白像素格式	Mono8, Mono12, Mono12Packed
通用输入输出口 (GPIOs)	
光耦 I/Os	1 input, 3 outputs
工作条件/尺寸	
工作温度	+5 °C to +45 °C housing temperature
电源要求 (DC)	10.8 to 26.4 VDC AUX or 802.3at Type 1 PoE
功耗	2.4 W at 12 VDC; 2.4 W PoE
重量	80 g (with C-Mount)
尺寸 (L × W × H in mm)	60.5 × 29.2 × 29.2 (including connectors)
符合规范	CE: 2014/30/EU (EMC), 2011/65/EU, including amendment 2015/863/EU (RoHS)); FCC Class B; CAN ICES-003

量子转换效率



特性

Image optimization features:

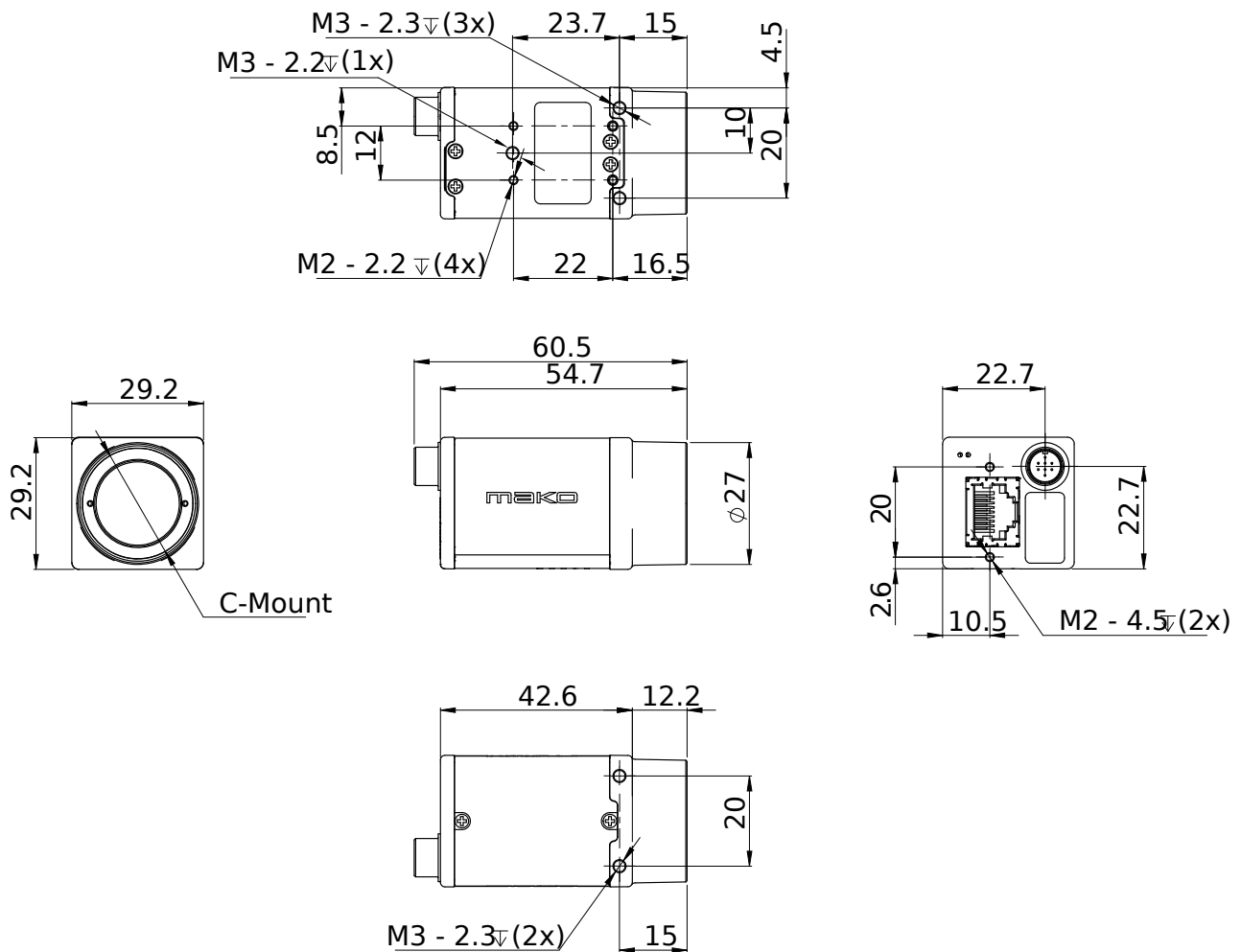
- Auto gain (manual gain control: 0 to 40 dB; 0.1 dB increments)
- Auto exposure (exposure time control varies by pixel format)
- Binning
- Decimation
- Gamma correction
- One look-up table
- Region of interest, separate region for auto features

Camera control features:

- Event channel
- Image chunk data

- IEEE 1588 Precision Time Protocol
- Storable user sets
- StreamBytesPerSecond (bandwidth control)
- Stream hold
- Sync out modes: Trigger ready, input, exposing, readout, imaging, strobe, GPO
- Temperature monitoring (main board)
- Trigger over Ethernet Action Commands

外形尺寸



应用场景

Mako G-508B POL is suitable for a wide range of inspection tasks including:

- Surface inspection (for example damage, flatness, scratches)
- Low-contrast imaging (for example carbon fibre, tires, welding spots)
- Material stress detection
- Reflection reduced imaging