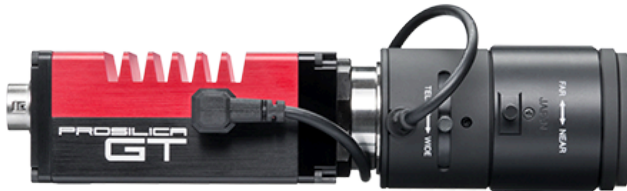


Prosilica GT 2460



- Versatile temperature range for extreme environments
- IEEE 1588 PTP
- Power over Ethernet
- P-Iris and DC-Iris lens control

5.1 Megapixel machine vision camera with Sony IMX CMOS sensor

Prosilica GT2460 is a 5.1 Megapixel camera with a GigE Vision compliant Gigabit Ethernet port and Hirose I/O port. Prosilica GT2460 is offered as monochrome or color models. This camera incorporates the high quality Sony IMX264 CMOS sensor with Pregius global shutter technology. It is a rugged camera with a robust thermal housing that is designed to operate in extreme environments and fluctuating lighting conditions. At full resolution, this camera runs 23.7 frames per second. With a smaller region of interest, higher frame rates are possible. This camera offers Precise iris lens control allowing users to fix the aperture size to optimize depth of field, exposure and gain without the need for additional control elements. It is a standard format housing camera with a standard C-Mount lens mount. By default monochrome models ship with no optical filter and color models ship with an IRC30 IR cut filter.

Benefits and features:

- Monochrome (GT2460) and color (GT2460C) models
- GigE Vision interface with Power over Ethernet
- Screw mount RJ45 Ethernet connector for secure operation in industrial environments
- Supports cable lengths up to 100 meters (CAT-5e or CAT-6)
- Trigger over Ethernet (ToE) Action Commands allow for a single cable solution to reduce system costs
- Comprehensive I/O functionality for simplified system integration
- Popular C-Mount lens mount
- Easy camera mounting via standard M3 threads or optional tripod adapter



- Easy software integration with Allied Vision's [Vimba SDK](#) and compatibility to the most popular [third party image-processing libraries](#).

Options:

- Available with F-Mount, CS-Mount, M42-Mount
- Available with IR cut filter or protection glass

See the [Modular Concept](#) for lens mount and optical filters options. See the [Customization and OEM Solutions](#) webpage for additional options.

性能参数

| | |
|-------------------------|---|
| Prosilica GT | 2460 |
| 接口 | IEEE 802.3 1000BASE-T, IEEE 802.3af (PoE) |
| 分辨率 | 2464 (H) × 2056 (V) |
| 传感器 | Sony IMX264 |
| 传感器类型 | CMOS |
| Shutter mode | Global shutter |
| 传感器尺寸 | Type 2/3 |
| 像元尺寸 | 3.45 μm × 3.45 μm |
| Lens mounts (available) | C-Mount, CS-Mount, F-Mount, M42-Mount |
| 最大满帧帧率 | 23.7 fps |
| ADC | 12 Bit |
| 缓存 (RAM) | 128 MByte |
| 非易失性内存 (Flash) | 1024 KByte (for selected models only) |

成像性能

成像性能数据是基于欧洲机器视觉协会 (EMVA) 1288发布的3.1版图像传感器和像机特征描述标准中的评估方法。测量值是在没有光学滤波片的全分辨率下，测量单色模型的典型值。请联系销售或工程师了解更多信息。

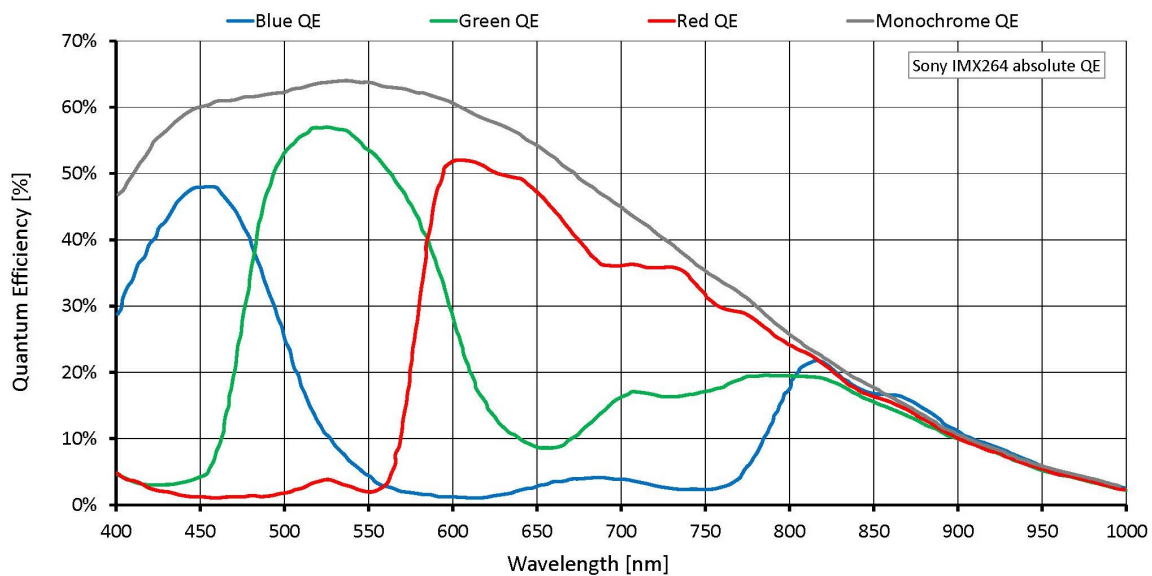
| | |
|-------------------|----------------------|
| 在波长为529nm下，量子转换效率 | 64 % |
| 暗噪声 | 2.1 e ⁻ |
| 饱和电子数 | 10400 e ⁻ |
| 动态范围 | 71.7 dB |
| 绝对灵敏度阈值 | 2.7 e ⁻ |

输出

| | |
|-----------|--|
| Bit位数 | 12 Bit |
| 黑白像素格式 | Mono8, Mono12, Mono12Packed |
| YUV彩色像素格式 | YUV411Packed, YUV422Packed, YUV444Packed |

| | |
|----------------------|---|
| Prosilica GT | 2460 |
| RGB彩色像素格式 | RGB8Packed, BGR8Packed |
| 原始像素格式 | BayerRG8, BayerRG12, BayerRG12Packed |
| 通用输入输出(GPIOs) | |
| TTL I/Os | 1 input, 2 outputs |
| 光耦 I/Os | 1 input, 2 outputs |
| RS232 | 1 |
| 工作条件/尺寸 | |
| 工作温度 | -20 °C to +65 °C ambient (without condensation) |
| 电源要求 (DC) | 7 to 25 VDC AUX or 802.3at Type 1 PoE |
| 功耗 | 3.4 W at 12 VDC; 4.2 W PoE |
| 重量 | 211 g |
| 尺寸 (L × W × H in mm) | 86 × 53 × 33 (including connectors) |
| 符合规范 | CE: 2014/30/EU (EMC), 2011/65/EU, including amendment 2015/863/EU (RoHS); FCC Class A; CAN ICES-003 Issue 4/5 |

量子转换效率





特性

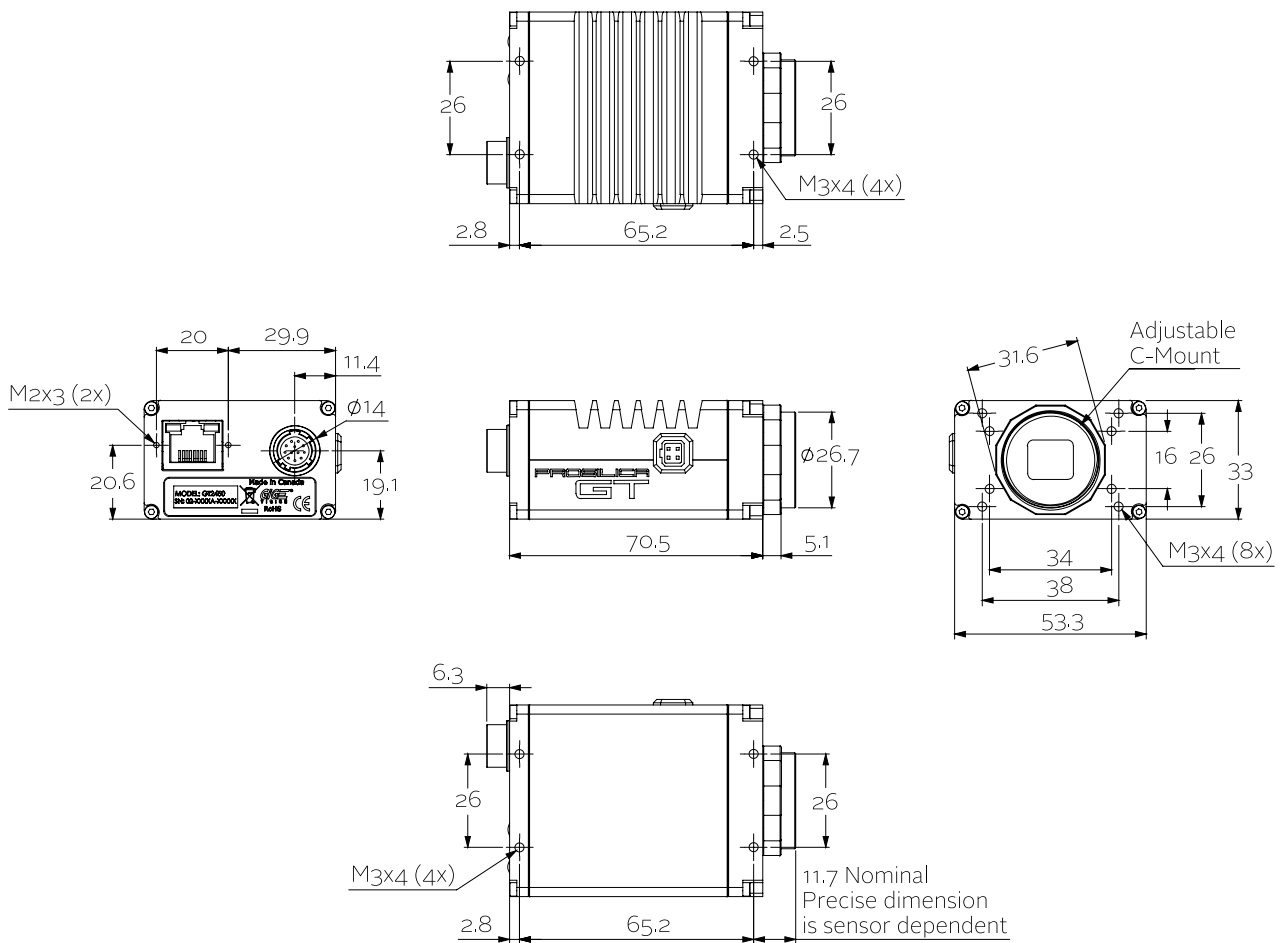
Image optimization features:

- Auto gain (manual gain control: 0 to 40 dB, 0.1 dB increments)
- Auto exposure (exposure time control varies by pixel format)
- Auto white balance (GT2460C only)
- Binning (horizontal and vertical)
- Color correction, hue, saturation (GT2460C only)
- Decimation X/Y
- Gamma correction
- Three look-up tables (LUTs)
- Region of interest (ROI), separate ROI for auto features
- Reverse X/Y

Camera control features:

- P-Iris and DC-Iris lens control
- Event channel
- Image chunk data
- IEEE 1588 Precision Time Protocol (PTP)
- RS232
- Storable user sets
- StreamBytesPerSecond (bandwidth control)
- Stream hold (up to 26 frames at full resolution)
- Sync out modes: Trigger ready, input, exposing, readout, imaging, strobe, GPO
- Temperature monitoring (main board and sensor board)
- Trigger over Ethernet (ToE) Action Commands
- Non-volatile memory 1024 KByte (for selected models only)

外形尺寸





应用场景

Prosilica GT2460 is ideal for a wide range of applications including:

- Outdoor imaging
- Traffic imaging and ITS
- Public security and surveillance
- Industrial inspection
- Machine vision
- Military and space applications