

# Prosilica GS 660



- Right-angle CCD camera with low height profile
- High frame rate
- Video-type auto iris
- Sony ICX618 sensor

Right-angle GigE Vision camera, Sony ICX618 EXview sensor, 119 fps

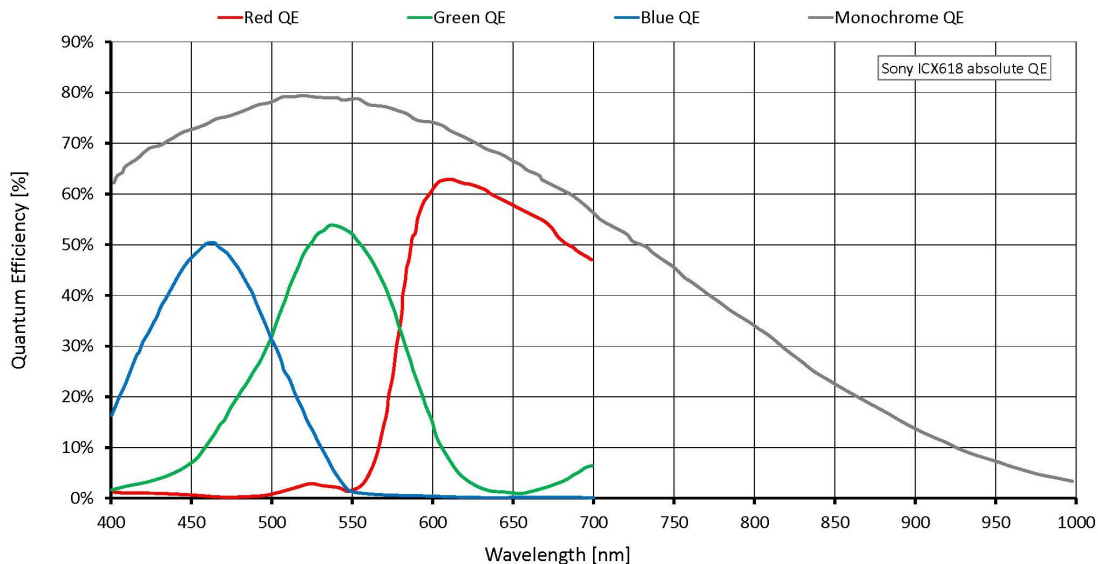
Prosilica GS660 is a fast, VGA resolution, high-performance machine vision camera with Gigabit Ethernet interface. This camera incorporates a Sony ICX618 EXview HAD CCD sensor that has particularly high quantum efficiency and excellent NIR response for excellent image quality and sensitivity. At full resolution, this camera has a frame rate of 119 frames per second. With a smaller region of interest higher frame rates are possible. By default monochrome models ship with no optical filter and color models ship with an IRC30 IR cut filter.

## 性能参数

Prosilica GS	660
接口	IEEE 802.3 1000baseT
分辨率	659 (H) × 493 (V)
传感器	Sony ICX618
传感器类型	CCD Progressive
Shutter mode	Global shutter
传感器尺寸	Type 1/4
像元尺寸	5.6 μm × 5.6 μm
Lens mount (default)	C-Mount
最大满帧帧率	119 fps
ADC	14 Bit
缓存 (RAM)	16 MByte
	输出
Bit位数	8/12 Bit

Prosilica GS	660
黑白像素格式	Mono8, Mono12, Mono12Packed
YUV彩色像素格式	YUV411Packed, YUV422Packed, YUV444Packed
RGB彩色像素格式	RGB8Packed, BGR8Packed
原始像素格式	BayerRG8, BayerRG12, BayerGR12Packed
通用输入输出(GPIOs)	
TTL I/Os	1 input, 1 output
光耦 I/Os	1 input, 1 output
RS232	1
工作条件/尺寸	
工作温度	0 °C to +70 °C ambient (without condensation)
电源要求 (DC)	5 to 25 VDC
功耗	3 W at 12 VDC
重量	184 g
尺寸 (L × W × H in mm)	96 × 56 × 26 (including connectors)
符合规范	CE: 2014/30/EU (EMC), 2011/65/EU, including amendment 2015/863/EU (RoHS); FCC Class A

## 量子转换效率



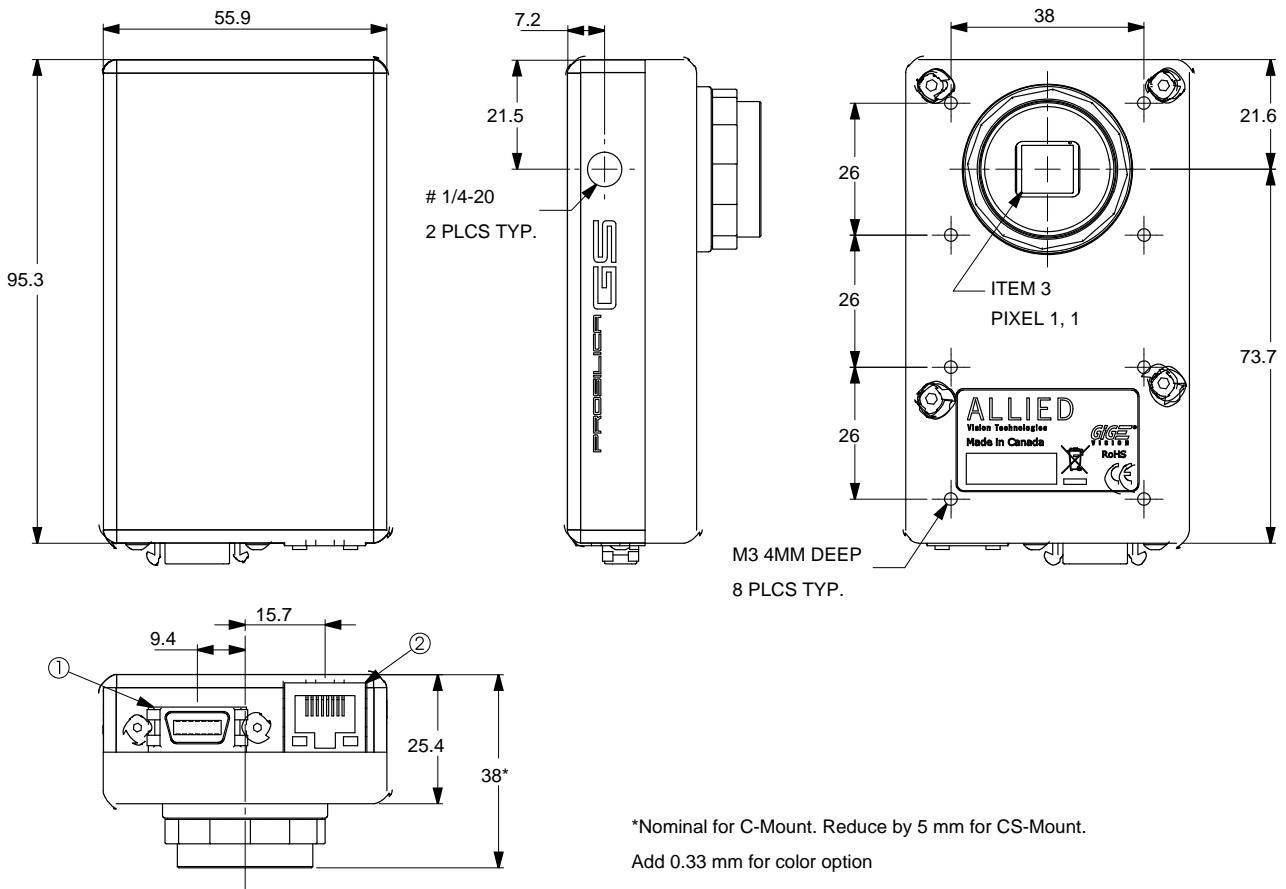
## 特性

Prosilica GS660 features include:



- Auto-iris (video type)
- Region of interest (ROI), DSP subregion (selectable ROI for auto features)
- Binning (Sum)
- Auto gain (manual gain control: 0 to 30 dB)
- Auto exposure (manual exposure controls: 10  $\mu$ s to 78.5 s)
- Auto white balance
- StreamBytesPerSecond (bandwidth control)
- Stream hold
- Sync out modes: Trigger ready, input, exposing, readout, imaging, strobe, GPO
- Global shutter (digital shutter)
- Recorder and Multiframe acquisition modes
- Event channel
- Image chunk data
- Storable user sets

## 外形尺寸





## 应用场景

Prosilica GS660 is ideal for a wide range of applications including:

- Machine vision
- Industrial inspection
- Public security
- Traffic monitoring
- Microscopy