



## Prosilica GS 2450

- Right-angle CCD camera with low height profile
- 15 fps @ full resolution
- Video-type auto iris
- Sony ICX625 CCD sensor

5 Megapixel periscope type camera with GigE Vision, 15 frames per second

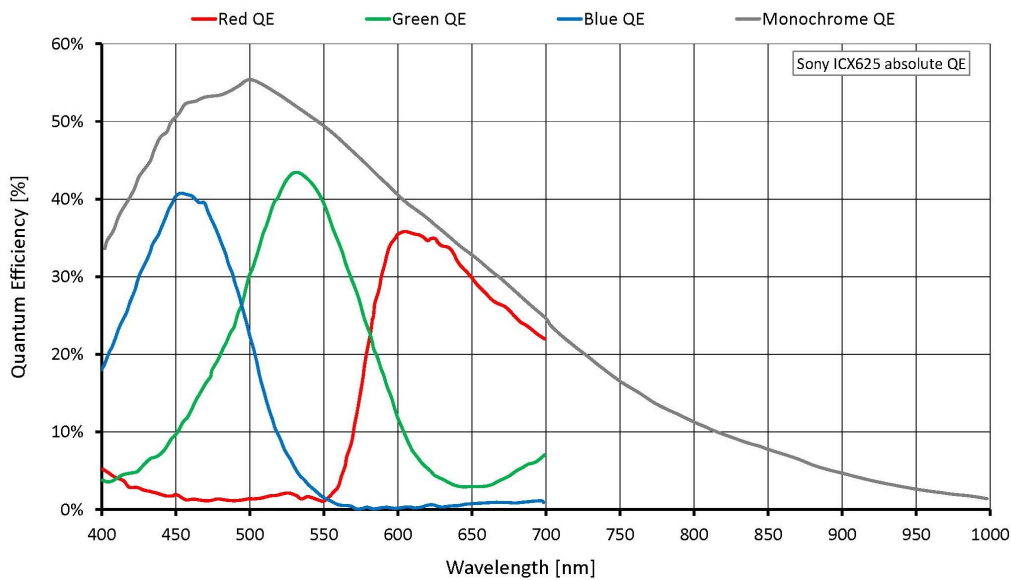
Prosilica GS2450 is a very high-resolution CCD camera with Gigabit Ethernet output. This camera uses the high-quality Sony ICX625 CCD image sensor that provides superior image quality, excellent sensitivity, and low noise. At full resolution, this camera has a frame rate of 15 frames per second. With a smaller region of interest higher frame rates are possible. By default monochrome models ship with no optical filter and color models ship with an IRC30 IR cut filter.

### 性能参数

Prosilica GS	2450
接口	IEEE 802.3 1000baseT
分辨率	2448 (H) × 2050 (V)
传感器	Sony ICX625
传感器类型	CCD Progressive
Shutter mode	Global shutter
传感器尺寸	Type 2/3
像元尺寸	3.45 μm × 3.45 μm
Lens mount (default)	C-Mount
最大满帧帧率	15 fps
ADC	14 Bit
缓存 (RAM)	16 MByte
	输出
Bit位数	8/12 Bit
黑白像素格式	Mono8, Mono12, Mono12Packed

Prosilica GS	2450
YUV彩色像素格式	YUV411Packed, YUV422Packed, YUV444Packed
RGB彩色像素格式	RGB8Packed, BGR8Packed
原始像素格式	BayerRG8, BayerRG12, BayerGR12Packed
通用输入输出(GPIOs)	
TTL I/Os	1 input, 1 output
光耦 I/Os	1 input, 1 output
RS232	1
工作条件/尺寸	
工作温度	0 °C to +70 °C ambient (without condensation)
电源要求 (DC)	5 to 25 VDC
功耗	3.8 W at 12 VDC
重量	186 g
尺寸 (L × W × H in mm)	96 × 56 × 26 (including connectors)
符合规范	CE: 2014/30/EU (EMC), 2011/65/EU, including amendment 2015/863/EU (RoHS); FCC Class A

## 量子转换效率



## 特性

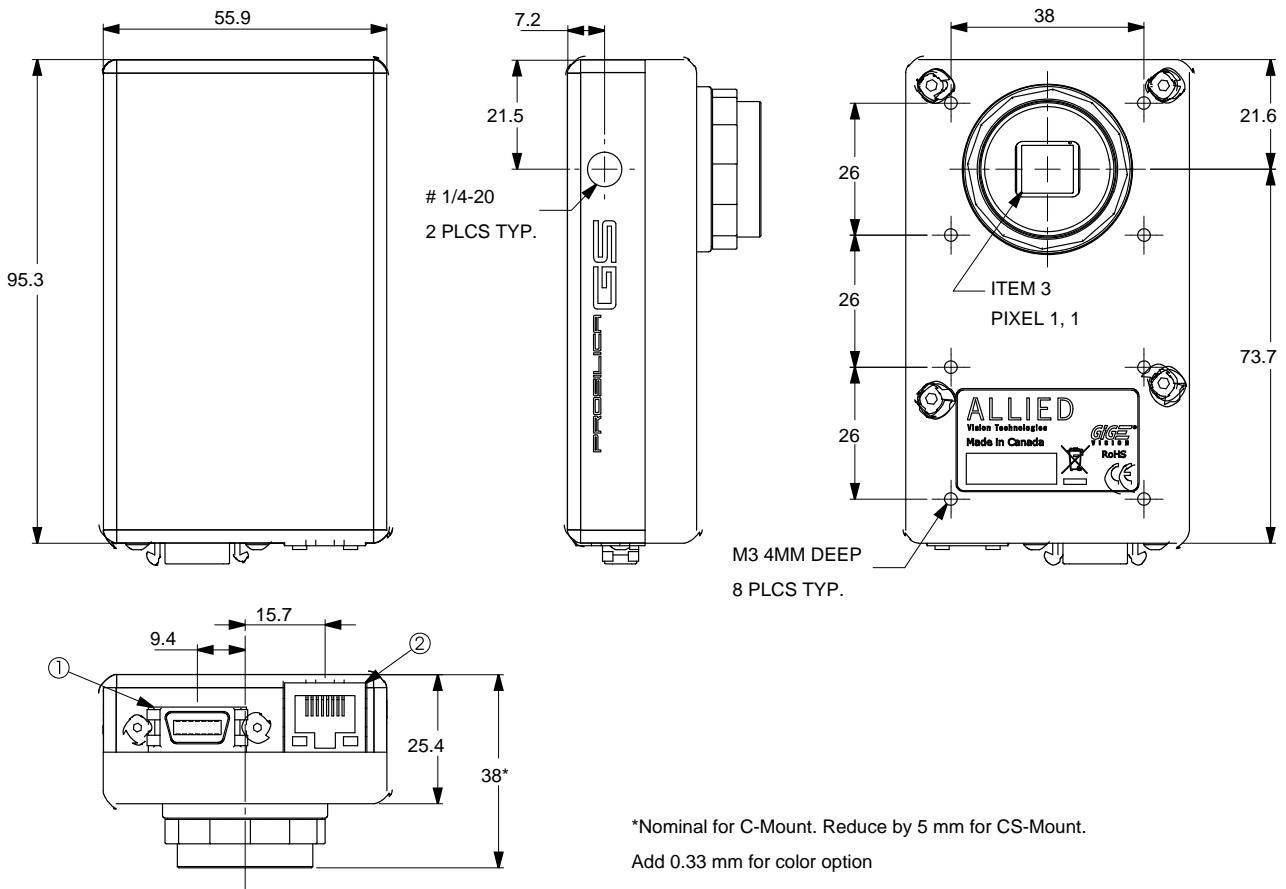
Prosilica GS2450 features include:

- Auto-Iris (video type)



- Region of interest (ROI), DSP subregion (selectable ROI for auto features)
- Binning (Sum)
- Auto gain (manual gain control: 0 to 30 dB)
- Auto exposure (manual exposure controls: 10  $\mu$ s to 42.9 s)
- Auto white balance
- StreamBytesPerSecond (bandwidth control)
- Stream hold
- Sync out modes: Trigger ready, input, exposing, readout, imaging, strobe, GPO
- Global shutter (digital shutter)
- Recorder and Multiframe acquisition modes
- Event channel
- Image chunk data
- Storable user sets

## 外形尺寸





## 应用场景

Prosilica GS2450 is ideal for a wide range of applications including:

- LCD panel inspection
- High-resolution industrial inspection
- 3D metrology
- General machine vision
- Public security
- Surveillance
- Traffic imaging (Intelligent Traffic Systems)
- Embedded systems
- Microscopy