

Prosilica GE 680



- High frame rate
- ON Semi KAI-0340 sensor
- Galvanically isolated I/O
- Various lens mount options

Fast CCD camera with Gigabit Ethernet interface, 205 frames per second

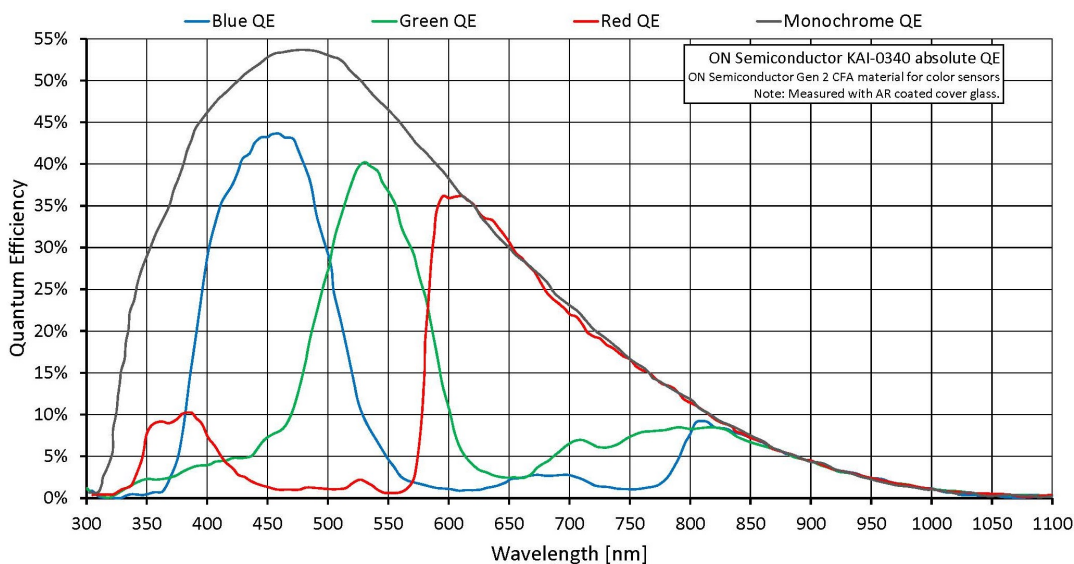
Prosilica GE680 is a very fast, VGA resolution (0.3 Megapixel), high-performance machine vision camera with a Gigabit Ethernet interface (GigE Vision®). The ON Semiconductor CCD sensor is suitable for applications where speed and good sensitivity are required. At full resolution, this camera has a frame rate of 205 frames per second. With a smaller region of interest higher frame rates are possible. By default monochrome models ship with no optical filter and color models ship with an IRC30 IR cut filter.

性能参数

Prosilica GE	680
接口	IEEE 802.3 1000baseT
分辨率	640 (H) × 480 (V)
传感器	ON Semi KAI-0340
传感器类型	CCD Progressive
传感器尺寸	Type 1/3
像元尺寸	7.4 μm × 7.4 μm
Lens mount (default)	C-Mount
最大满帧帧率	205 fps
ADC	12 Bit
缓存 (RAM)	32 MByte
	输出
Bit位数	8/12 Bit
黑白像素格式	Mono8, Mono12, Mono12Packed

Prosilica GE	680
YUV彩色像素格式	YUV411Packed
RGB彩色像素格式	RGB8Packed, BGR8Packed, RGBA8Packed, BGRA8Packed, RGB12Packed
原始像素格式	BayerGR8, BayerGR12, BayerGR12Packed
通用输入输出(GPIOs)	
TTL I/Os	1 input, 3 outputs (with galvanic isolation)
RS232	1
工作条件/尺寸	
工作温度	0 °C to +50 °C ambient (without condensation)
电源要求 (DC)	5 to 24 VDC
功耗	4.5 W at 12 VDC
重量	169 g
尺寸 (L × W × H in mm)	80 × 51 × 39 (including connectors)
符合规范	2011/65/EU, including amendment 2015/863/EU (RoHS)

量子转换效率



特性

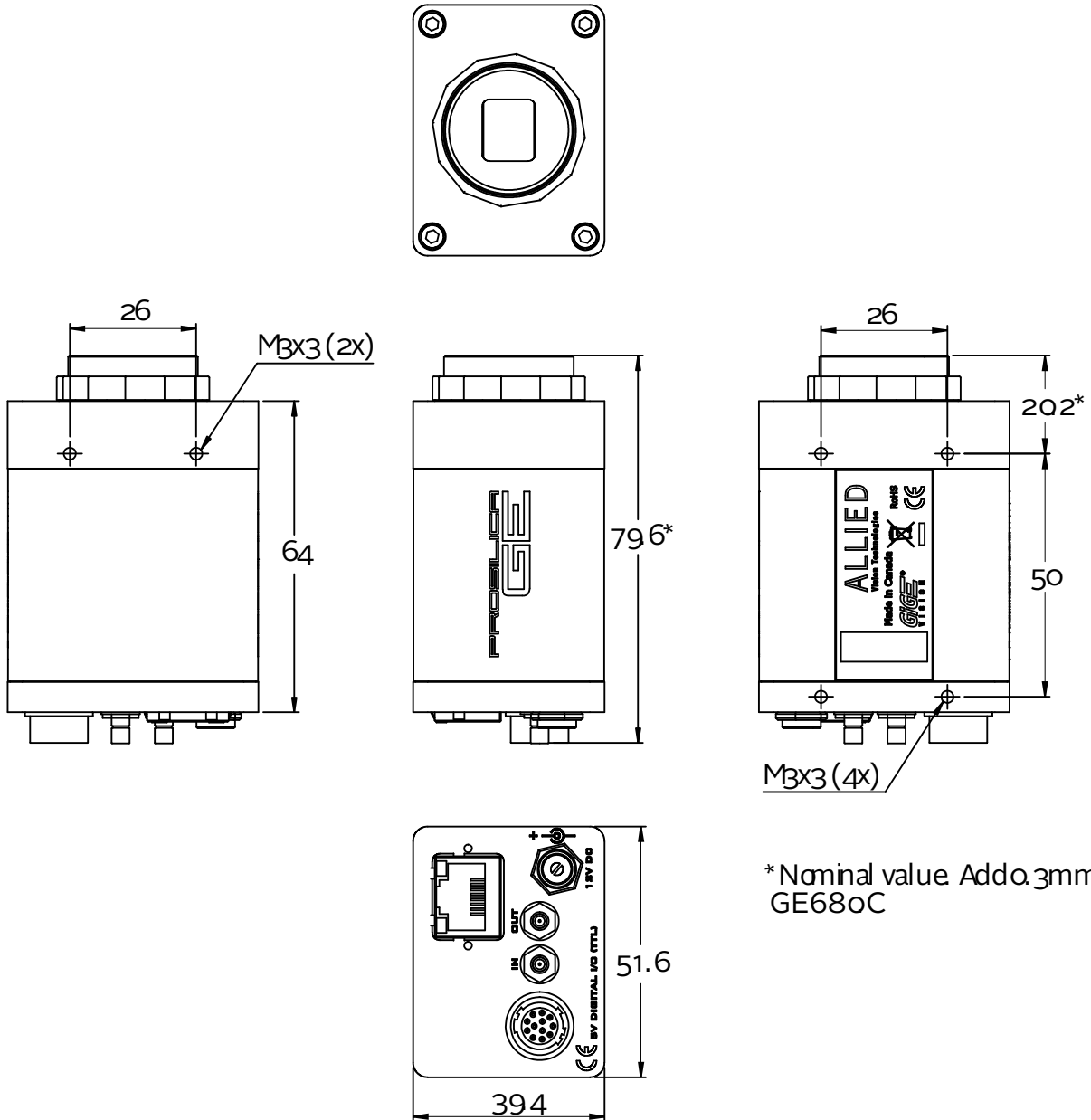
Prosilica GE680 incorporates an advanced set of camera features including:

- Region of interest (ROI), DSP subregion (selectable ROI for auto features)



- Binning (Sum)
- Auto gain (manual gain control: 0 to 34 dB)
- Auto exposure (manual exposure controls: 25 μ s to 53.7 s)
- Auto white balance
- StreamBytesPerSecond (bandwidth control)
- Stream hold
- Sync out modes: Trigger ready, input, exposing, readout, imaging, strobe, GPO
- Global shutter (digital shutter)
- Recorder and Multiframe acquisition modes
- Event channel
- Image chunk data
- Storable user sets

外形尺寸





应用场景

Prosilica GE680 is ideal for a wide range of applications including:

- High-speed inspection
- Machine vision
- Optical character recognition
- Traffic imaging
- Robotics
- OEM applications