

Prosilica GE 4000



- 11 Megapixel camera
- ON Semi KAI-11002 sensor
- Galvanically isolated I/O
- Various lens mount options

11 Megapixel ON Semi KAI-11002 CCD camera, 5 frames per second

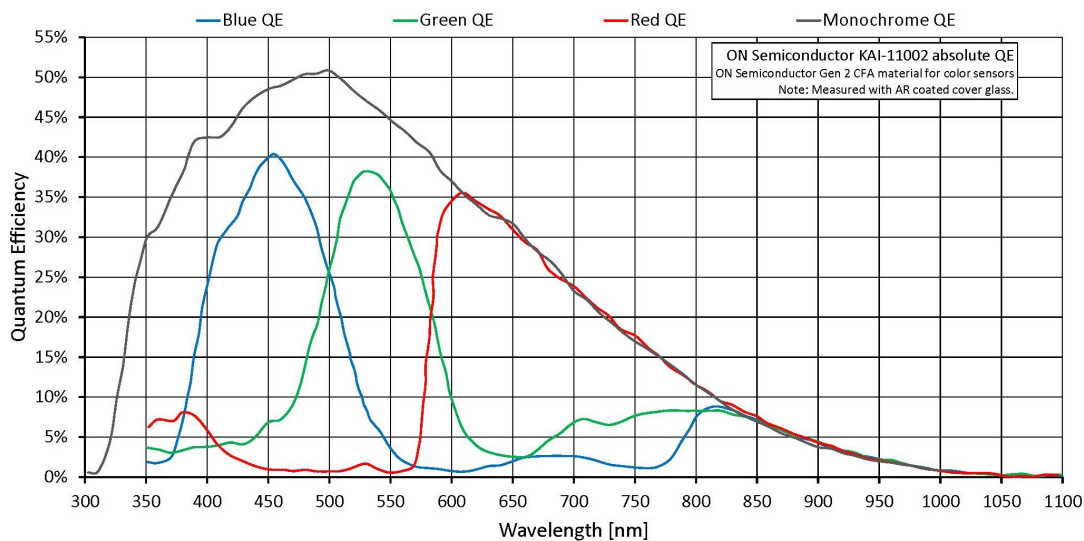
Prosilica GE4000 is a very high-resolution CCD camera with Gigabit Ethernet output (GigE Vision®). This camera features the high-quality 35 mm optical format ON Semiconductor KAI-11002 CCD image sensor that provides exceptionally high resolution, sensitivity, and dynamic range. At full resolution, this camera has a frame rate of 5 frames per second. With a smaller region of interest higher frame rates are possible. By default monochrome models ship with no optical filter and color models ship with an IRC30 IR cut filter.

性能参数

Prosilica GE	4000
接口	IEEE 802.3 1000baseT
分辨率	4008 (H) × 2672 (V)
传感器	ON Semi KAI-11002
传感器类型	CCD Progressive
传感器尺寸	Type 35 mm
像元尺寸	9 μm × 9 μm
Lens mount (default)	F-Mount
最大满帧帧率	5 fps
ADC	12 Bit
缓存 (RAM)	32 MByte
	输出
Bit位数	8/12 Bit
黑白像素格式	Mono8, Mono12, Mono12Packed

Prosilica GE	4000
原始像素格式	BayerGR8, BayerGR12, BayerGR12Packed
通用输入输出(GPIOs)	
TTL I/Os	1 input, 3 outputs (with galvanic isolation)
RS232	1
工作条件/尺寸	
工作温度	0 °C to +50 °C ambient (without condensation)
电源要求 (DC)	5 to 24 VDC
功耗	6 W at 12 VDC
重量	402 g
尺寸 (L × W × H in mm)	110 × 66 × 66 (including connectors)
符合规范	2011/65/EU, including amendment 2015/863/EU (RoHS)

量子转换效率



特性

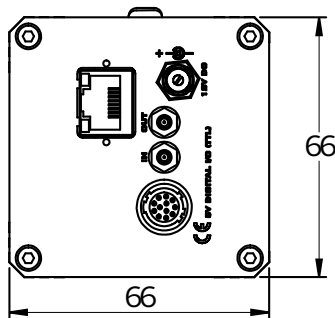
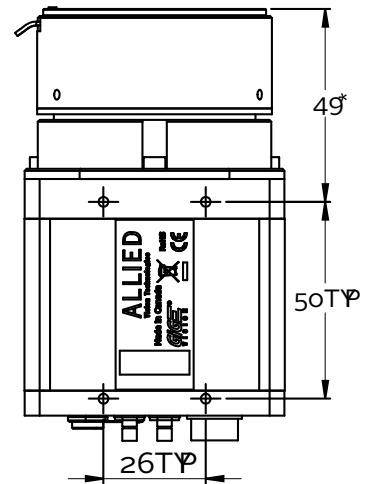
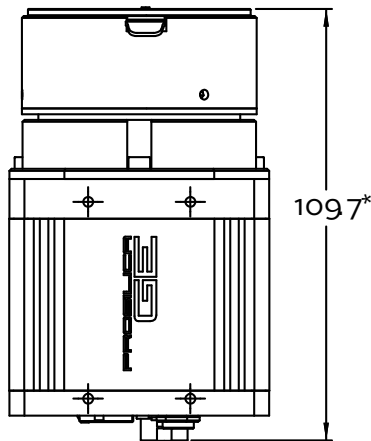
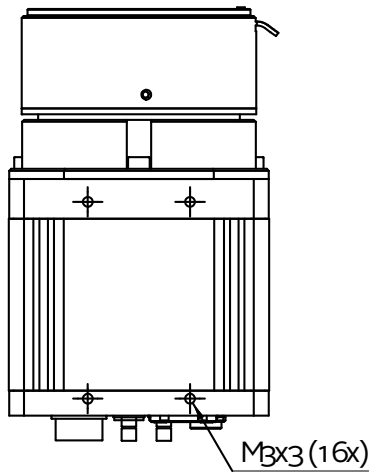
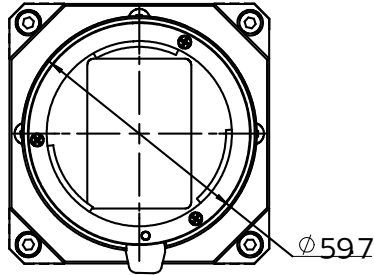
Prosilica GE4000 features include:

- Defect masking for columns
- Region of interest (ROI), DSP subregion (selectable ROI for auto features)
- Binning (Sum)
- Auto gain (manual gain control: 0 to 34 dB)



- Auto exposure (manual exposure controls: 140 μ s to 68.7 s)
- Auto white balance
- StreamBytesPerSecond (bandwidth control)
- Stream hold
- Sync out modes: Trigger ready, input, exposing, readout, imaging, strobe, GPO
- Global shutter (digital shutter)
- Recorder and Multiframe acquisition modes
- Event channel
- Image chunk data
- Storable user sets

外形尺寸



* Nominal value Add 0.3mm for color cameras.



应用场景

Prosilica GE4000 is ideal for a wide range of applications including:

- LCD panel inspection
- Semiconductor wafer inspection
- Solar panel inspection
- Aerial photography
- 3D metrology
- General machine vision
- Public security
- Surveillance
- Traffic imaging (Intelligent Traffic Systems)
- Embedded systems
- OEM applications