



Pike F-505



- Versatile IEEE 1394b camera
- Advanced feature set
- Many variants
- High frame rates

5 Megapixel premium camera with numerous image pre-processing functions

The Pike F-505B/F-505C is equipped with a renowned Sony Super HAD CCD sensor and has an excellent image quality. At full resolution, it runs up to 15 frames per second. Higher frame rates can be reached by using a smaller area of interest (AOI), binning (b/w), or sub-sampling.

Options:

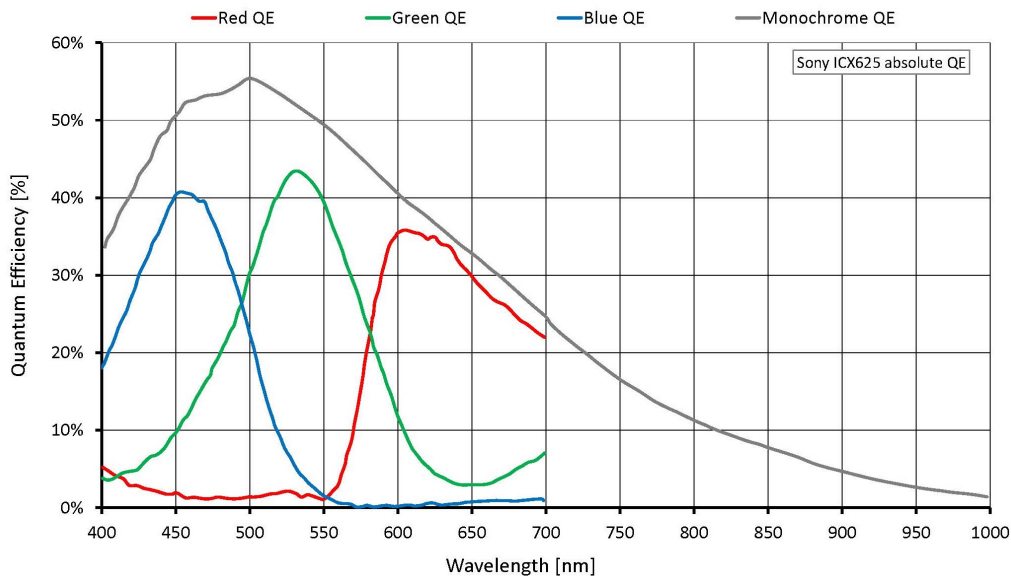
- IEEE 1394b connectors: 2 x copper (daisy chain) or 1 x GOF, 1 x copper, Hirose power: out
- Various IR cut/pass filters, various lens mounts
- Angled head, white medical housing

性能参数

Pike	F-505
接口	IEEE 1394b - 800 Mb/s, 2 ports, daisy chain, fiber optic (GOF) optional
分辨率	2452 (H) × 2054 (V)
传感器	Sony ICX625
传感器类型	CCD Progressive
传感器尺寸	Type 2/3
像元尺寸	3.45 μm × 3.45 μm
Lens mount (default)	C-Mount
最大满帧帧率	14 fps
ADC	14 Bit
缓存 (RAM)	64 MByte
	输出
Bit位数	8-14 Bit
黑白像素格式	Mono8, Mono12, Mono16

Pike	F-505
RGB彩色像素格式	RGB8
原始像素格式	Raw8, Raw12, Raw16
通用输入输出(GPIOs)	
光耦 I/Os	2 inputs, 4 outputs
RS232	1
工作条件/尺寸	
工作温度	+5 °C to +50 °C
电源要求 (DC)	8 V to 36 V
功耗	4 W (@ 12 VDC)
重量	250 g
尺寸 (L × W × H in mm)	96.8 × 44 × 44 (including connectors)
符合规范	CE: 2014/30/EU (EMC), 2011/65/EU, including amendment 2015/863/EU (RoHS); FCC Class B

量子转换效率



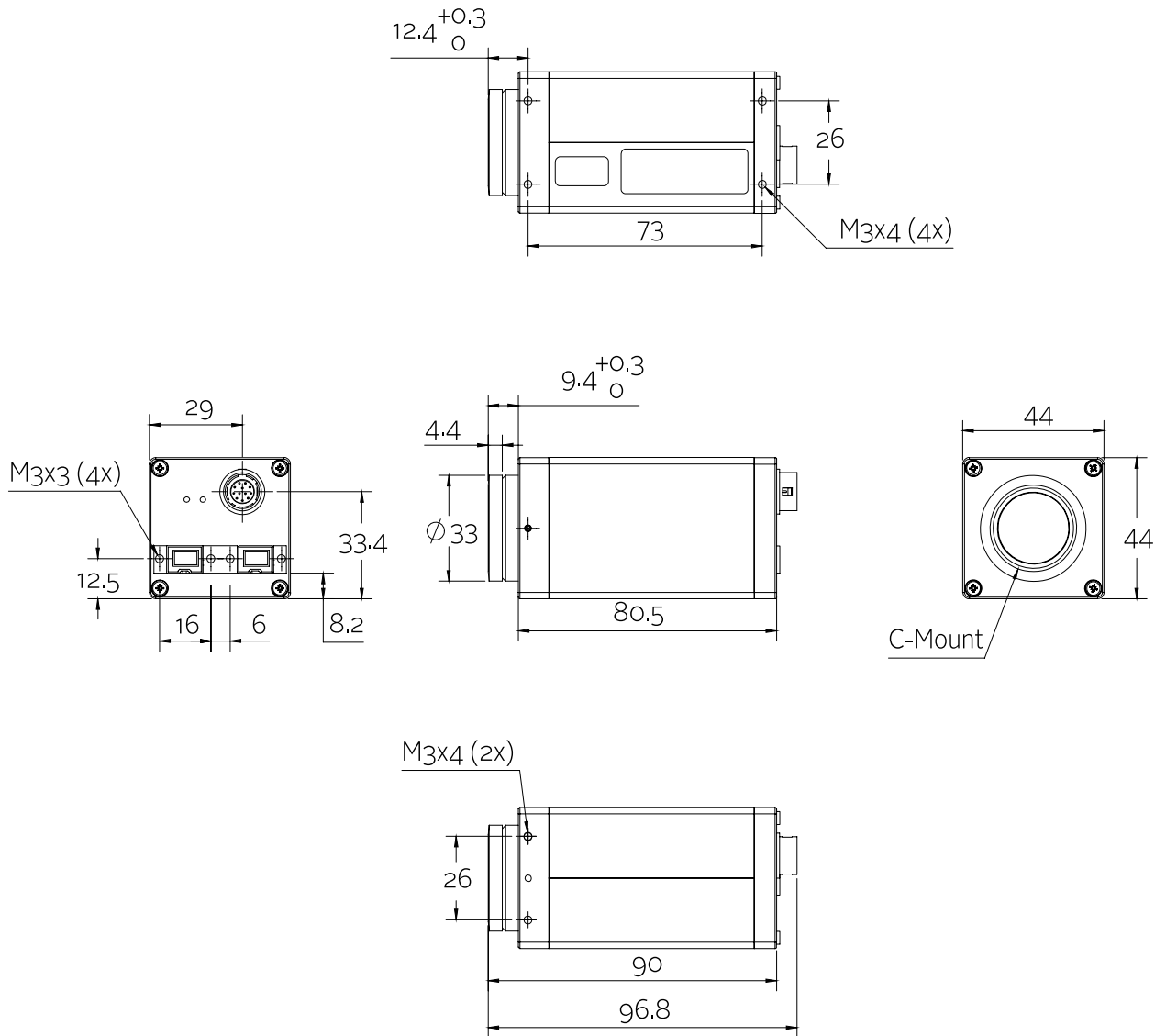
特性

- High SNR mode (up to 24 dB better signal-to-noise ratio)
- Low-noise binning mode
- Smear reduction
- Shading correction
- Area of interest (AOI), separate AOI for auto features



- Binning
- Decimation
- Auto gain (manual gain control: 0 to 24 dB)
- Auto exposure (27 μ s to 67 s)
- Auto white balance
- Look-up table (LUT)
- Hue, saturation, color correction
- Reverse X
- Deferred image transport
- Trigger programmable, level, single, bulk, programmable delay
- Sequence mode (changes the camera settings on the fly)
- SIS (secure image signature, time stamp for trigger, frame count)
- Storable user sets

外形尺寸





应用场景

The Pike F-505B/F-505C is perfectly suited for very demanding applications. The brilliant image quality can be enhanced by its image pre-processing functions. Due to the modular design, customization is easy and cost-effective. This camera fits especially for:

- Science and research
- Microscopy
- Healthcare and medical applications (white housing available)
- Multimedia, entertainment and sports
- Very demanding OEM camera applications
- ITS (Intelligent traffic solutions)
- Long cables - 400 meters and more without additional repeaters (fiber version)