



Pike F-210



- Versatile IEEE 1394b camera
- Advanced feature set
- Many variants
- High frame rates

HDTV camera with video frame rate - 2 Megapixels

The Pike F-210B is equipped with an ON Semiconductor KAI-2093 CCD sensor, and it features smart real-time functions. At full resolution, it runs up to 31 frames per second. Higher frame rates can be reached by using a smaller area of interest (AOI), binning (b/w), or sub-sampling. By default monochrome models ship with protection glass B 270.

Options:

- IEEE 1394b connectors: 2 x copper (daisy chain) or 1 x GOF, 1 x copper, Hirose power: out
- Various IR cut/pass filters, various lens mounts
- Angled head, white medical housing

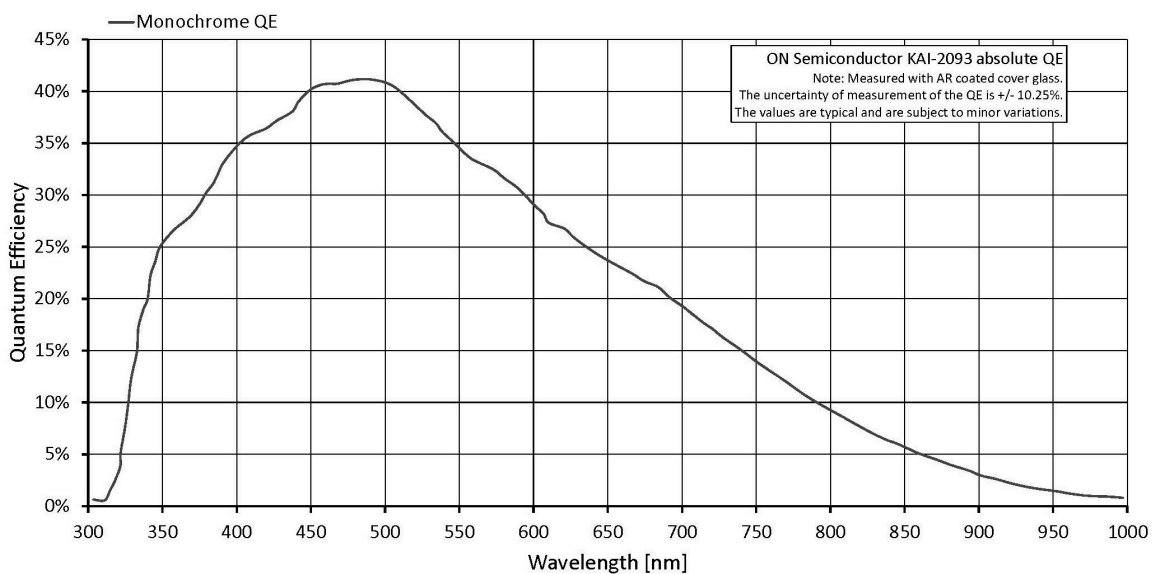
性能参数

Pike	F-210
接口	IEEE 1394b - 800 Mb/s, 2 ports, daisy chain, fiber optic (GOF) optional
分辨率	1920 (H) × 1080 (V)
传感器	ON Semi KAI-2093
传感器类型	CCD Progressive
传感器尺寸	Type 1
像元尺寸	7.4 μm × 7.4 μm
Lens mount (default)	C-Mount
最大满帧帧率	31 fps
ADC	14 Bit
缓存 (RAM)	64 MByte

输出

Pike	F-210
Bit位数	8-14 Bit
黑白像素格式	Mono8, Mono12, Mono16
通用输入输出(GPIOs)	
光耦 I/Os	2 inputs, 4 outputs
RS232	1
工作条件/尺寸	
工作温度	+5 °C to +50 °C
电源要求 (DC)	8 V to 36 V
功耗	4 W (@ 12 VDC)
重量	250 g
尺寸 (L × W × H in mm)	96.8 × 44 × 44 (including connectors)
符合规范	CE: 2014/30/EU (EMC), 2011/65/EU, including amendment 2015/863/EU (RoHS); FCC Class B

量子转换效率



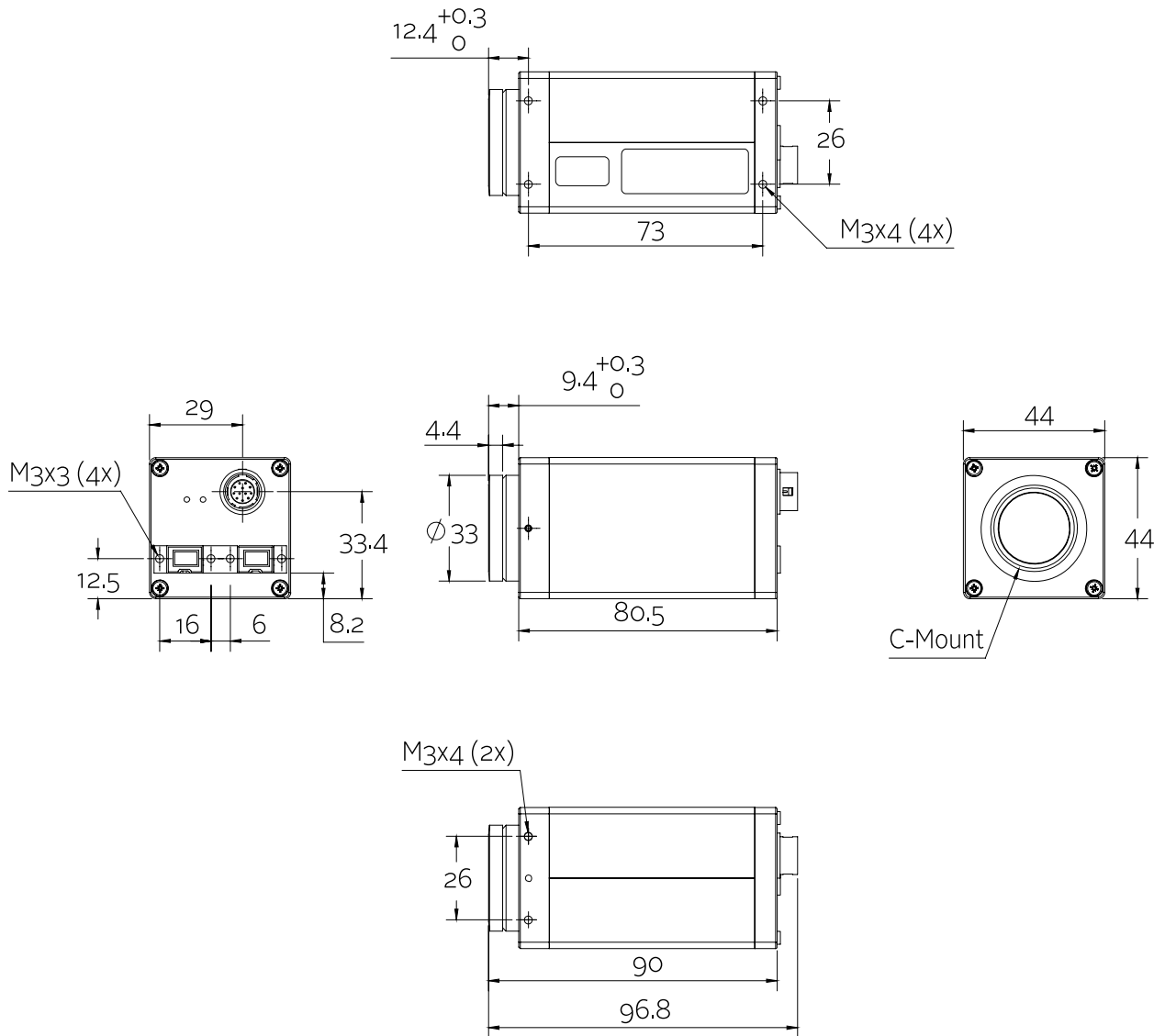
特性

- High SNR mode (up to 24 dB better signal-to-noise ratio)
- Low-noise binning mode
- Smear reduction
- Shading correction
- Area of interest (AOI), separate AOI for auto features



- Binning
- Decimation
- Auto gain (manual gain control: 0 to 22 dB)
- Auto exposure (43 μ s to 67 s)
- Look-up table (LUT)
- Reverse X
- Deferred image transport
- Trigger programmable, level, single, bulk, programmable delay
- Sequence mode (changes the camera settings on the fly)
- SIS (secure image signature, time stamp for trigger, frame count)
- Storable user sets

外形尺寸





应用场景

The Pike F-210B suits for applications which require the highest quality in HDTV resolution (1920 x 1080) at video frame rates. Besides the excellent image quality, its flexibility makes it suitable for many applications. The fiber version supports cable lengths of 400 meters and even more without any additional repeaters.

Pike cameras are especially suited for:

- Entertainment, movie pre-production, video recording
- OEM applications (modular concept)
- Motion studies
- Science and research
- Healthcare and sports
- Event documentation
- Intelligent traffic solutions (ITS)
- Long cable lengths, 400 meters and more (fiber version)