



## Pike F-1600



- Versatile IEEE 1394b camera
- Advanced feature set
- Many variants
- High frame rates

16 Megapixel premium camera – 35 mm CCD sensor ON Semiconductor KAI-16000

The Pike F-1600B/F-1600C is a 16 Megapixel IEEE 1394b camera with exceptional image quality. It can be operated in either single tap or dual tap mode. At full resolution, it runs up to 3.1 frames per second (dual tap). Higher frame rates can be reached by using a smaller area of interest (AOI), binning (b/w), or sub-sampling.

Options:

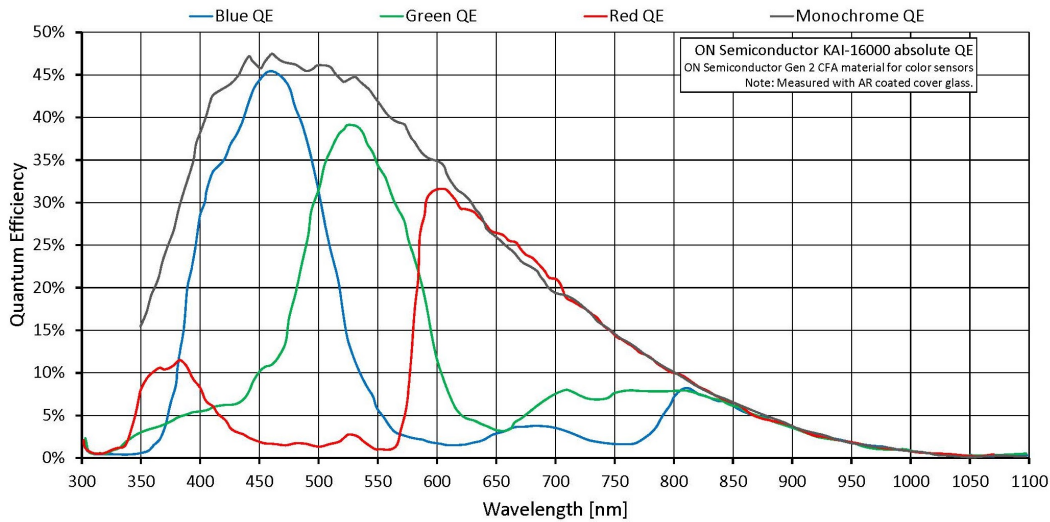
- IEEE 1394b connectors: 2 x copper (daisy chain) or 1 x GOF, 1 x copper, Hirose power: out
- Various IR cut/pass filters, various lens mounts
- Angled head, white medical housing

## 性能参数

Pike	F-1600
接口	IEEE 1394b - 800 Mb/s, 2 ports, daisy chain, fiber optic (GOF) optional
分辨率	4872 (H) × 3248 (V)
传感器	ON Semi KAI-16000
传感器类型	CCD Progressive
传感器尺寸	Type 35 mm
像元尺寸	7.4 μm × 7.4 μm
Lens mount (default)	F-Mount
最大满帧帧率	3 fps
ADC	14 Bit
缓存 (RAM)	256 MByte
	输出
Bit位数	8-14 Bit

Pike	F-1600
黑白像素格式	Mono8, Mono12, Mono16
RGB彩色像素格式	RGB8
原始像素格式	Raw8, Raw12, Raw16
通用输入输出(GPIOs)	
光耦 I/Os	2 inputs, 4 outputs
RS232	1
工作条件/尺寸	
工作温度	+5 °C to +50 °C
电源要求 (DC)	8 V to 36 V
功耗	4 W (@ 12 VDC)
重量	380 g
尺寸 (L × W × H in mm)	142.8 × 59 × 59 (including connectors)
符合规范	CE: 2014/30/EU (EMC), 2011/65/EU, including amendment 2015/863/EU (RoHS); FCC Class B

## 量子转换效率



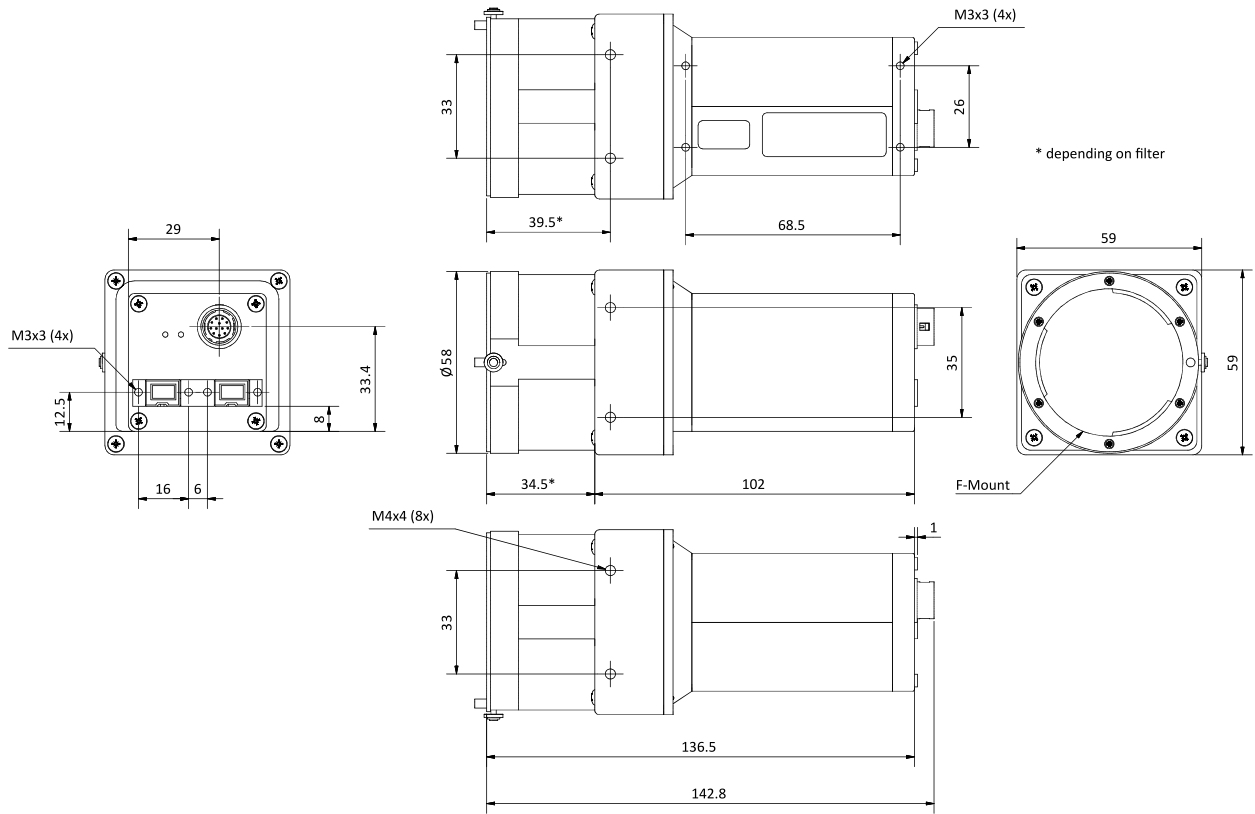
## 特性

- High SNR mode (up to 24 dB better signal-to-noise ratio)
- Low-noise binning mode
- Smear reduction
- Shading correction



- Defect pixel correction
- Area of interest (AOI), separate AOI for auto features
- Binning
- Decimation
- Auto gain (manual gain control: 0 to 24 dB)
- Auto exposure (636  $\mu$ s to 67 s)
- Auto white balance
- Look-up table (LUT)
- Hue, saturation, color correction
- Reverse X
- Deferred image transport
- Trigger programmable, level, single, bulk, programmable delay
- Sequence mode (changes the camera settings on the fly)
- SIS (secure image signature, time stamp for trigger, frame count)
- Storable user sets

## 外形尺寸





## 应用场景

The Pike F-1600B/F-1600C is made for high-precision applications which require highest attention to detail. Its excellent image quality can be enhanced by several image pre-processing functions. It is also available with M42-Mount or with M58-Mount.

This camera is well-suited for:

- Science and research
- Metrology
- Document scanning (replaces DSLR cameras - no mechanical shutter, long life time)
- Healthcare and medical applications
- Industrial inspection at high resolutions
- Aerial imaging
- Very demanding OEM camera applications
- Intelligent traffic solutions (ITS)
- Long cables - 400 meters and more without additional repeaters (fiber version)