



Pike F-032



- Versatile IEEE 1394b camera
- Advanced feature set
- Many variants
- High frame rates

Fast VGA camera, high quality, IEEE 1394b FireWire, 208 fps

The Pike F-032B/F-032C is a very fast VGA camera with premium image quality and a fast FireWire IEEE 1394b interface. It is equipped with an ON Semiconductor KAI-0340 CCD sensor. At full resolution, it runs 208 frames per second. Higher frame rates can be reached by using a smaller area of interest (AOI), binning (b/w), or sub-sampling. The Pike F-032 is an excellent motion analysis camera.

Options:

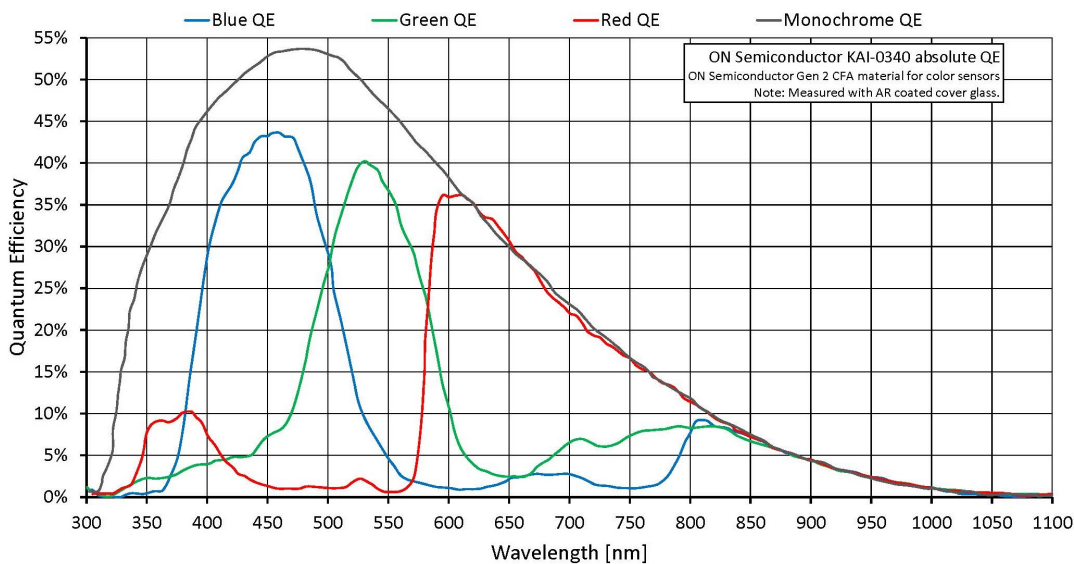
- IEEE 1394b connectors: 2 x copper (daisy chain) or 1 x GOF, 1 x copper, Hirose power: out
- Various IR cut/pass filters, various lens mounts
- Angled head, white medical housing

性能参数

| | |
|----------------------|---|
| Pike | F-032 |
| 接口 | IEEE 1394b - 800 Mb/s, 2 ports, daisy chain, fiber optic (GOF) optional |
| 分辨率 | 640 (H) × 480 (V) |
| 传感器 | ON Semi KAI-0340 |
| 传感器类型 | CCD Progressive |
| 传感器尺寸 | Type 1/3 |
| 像元尺寸 | 7.4 μm × 7.4 μm |
| Lens mount (default) | C-Mount |
| 最大满帧帧率 | 208 fps |
| ADC | 14 Bit |
| 缓存 (RAM) | 64 MByte |

| | |
|----------------------|---|
| Pike | F-032 |
| | 输出 |
| Bit位数 | 8-14 bit Bit |
| 黑白像素格式 | Mono8, Mono12, Mono16 |
| RGB彩色像素格式 | RGB8 |
| 原始像素格式 | Raw8, Raw12, Raw16 |
| | 通用输入输出(GPIOs) |
| 光耦 I/Os | 2 inputs, 4 outputs |
| RS232 | 1 |
| | 工作条件/尺寸 |
| 工作温度 | +5 °C to +50 °C |
| 电源要求 (DC) | 8 V to 36 V |
| 功耗 | 4 W (@ 12 VDC) |
| 重量 | 250 g |
| 尺寸 (L × W × H in mm) | 96.8 × 44 × 44 (including connectors) |
| 符合规范 | CE: 2014/30/EU (EMC), 2011/65/EU, including amendment 2015/863/EU (RoHS); FCC Class B |

量子转换效率



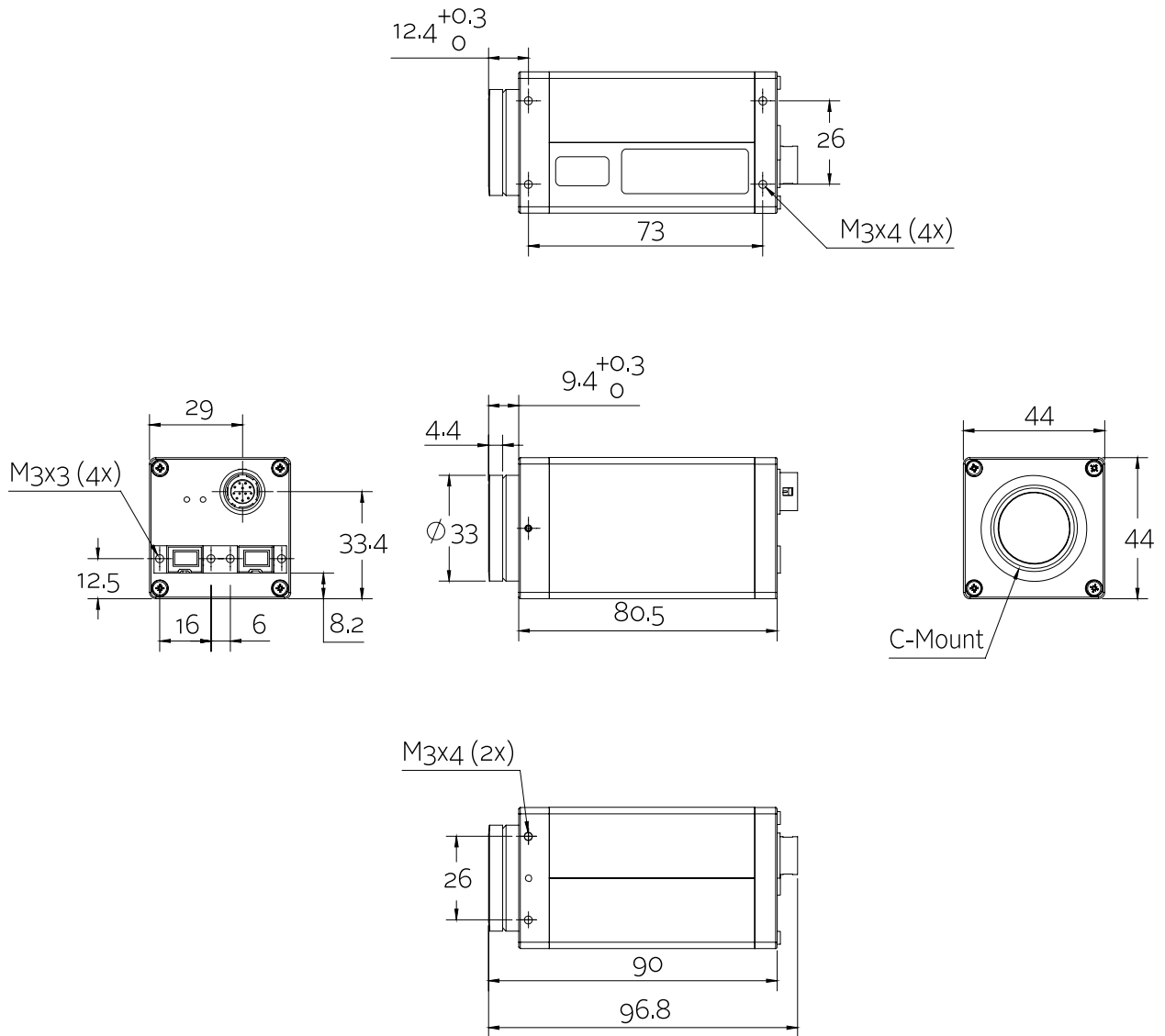
特性

- High SNR mode (up to 24 dB better signal-to-noise ratio)



- Low-Noise Binning Mode
- Smear reduction
- Shading correction
- Area of interest (AOI), separate AOI for auto features
- Binning
- Decimation
- Auto gain (manual gain control: 0 to 22 dB)
- Auto exposure (18 μ s to 67 s)
- Auto white balance
- Look-up table (LUT)
- Hue, saturation, color correction
- Reverse X
- Deferred image transport
- Trigger programmable, level, single, bulk, programmable delay
- Sequence mode (changes the camera settings on the fly)
- SIS (secure image signature, time stamp for trigger, frame count etc.)
- Storable user sets

外形尺寸





应用场景

The Pike F-032B/F-032C combines a very high frame rate of 208 frames per second with elaborate image pre-processing functions and a fast IEEE 1394b FireWire port. The modular design of the Pike provides many opportunities for customization.

This Pike camera is especially suited for:

- Applications which require high frame rates and outstanding image quality
- OEM applications (modular concept)
- Sports, motion studies
- 3D recordings of still and moving objects
- 3D scanning
- Science and research
- Healthcare
- Multimedia and entertainment
- Intelligent traffic solutions (ITS)
- Long cable lengths, 400 meters and more (fiber version)