

Mako G G-095



- Ultra-compact (60.5 × 29 × 29 mm)
- Affordable
- PoE
- High frame rate

GigE camera with Sony ICX692 sensor

Mako G-095B/C is an industrial GigE camera with Sony's ICX692 sensor. Mako cameras have the same 29 x 29 mm form factor and the same mounting positions as many analog cameras. All models include PoE, three opto-isolated outputs, and a 64 FIFO MB image buffer. The image quality profits from the precisely aligned sensors.

Options

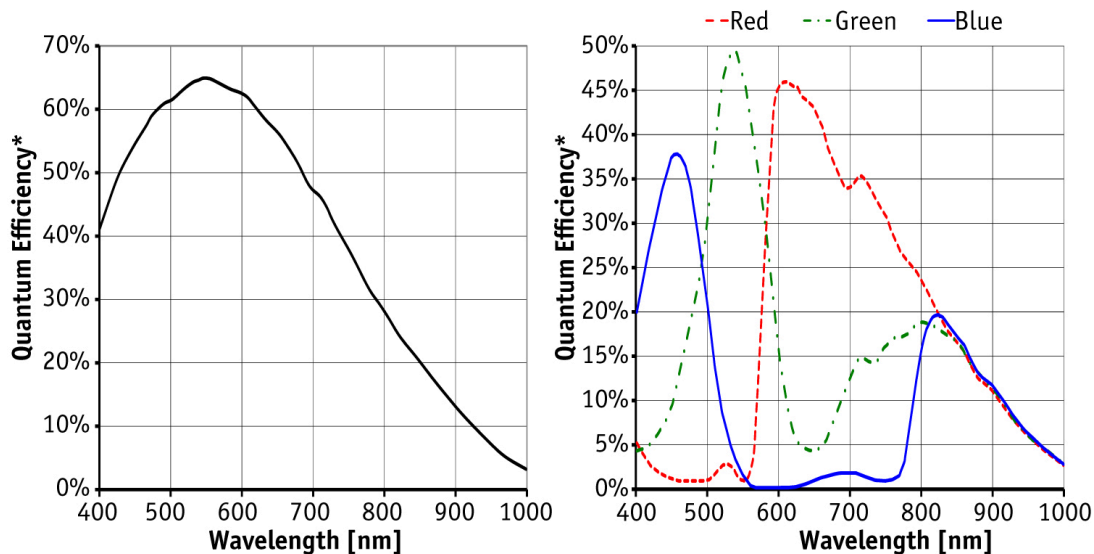
Various IR cut/pass filters, protection glass, various lens mounts

性能参数

Mako G	G-095
接口	IEEE 802.3 1000BASE-T, IEEE 802.3af (PoE)
分辨率	1292 × 734
传感器	Sony ICX692
传感器类型	CCD Progressive
Shutter mode	Global shutter
传感器尺寸	Type 1/3
像元尺寸	4.08 μm × 4.08 μm
Lens mounts (available)	C-Mount, CS-Mount, S-Mount
最大满帧帧率	42.8 fps
ADC	14 Bit
缓存 (RAM)	64
	输出
Bit位数	8/12 Bit
黑白像素格式	Mono8, Mono12, Mono12Packed
YUV彩色像素格式	YUV411Packed, YUV422Packed, YUV444Packed

Mako G	G-095
RGB彩色像素格式	RGB8Packed, BGR8Packed
原始像素格式	BayerRG8, BayerRG12, BayerRG12Packed
通用输入输出(GPIOs)	
光耦 I/Os	1 input, 3 outputs
工作条件/尺寸	
工作温度	+5°C to +45°C (housing temperature)
电源要求 (DC)	12 to 24 VDC AUX or 802.3at Type 1 PoE
功耗	2.2 W at 12 VDC; 2.5 W PoE
重量	80 g (with C-Mount)
尺寸 (L × W × H in mm)	60.5 × 29 × 29 including connectors
符合规范	CE, RoHS, REACH, WEEE, FCC, ICES

量子转换效率



*QE measured without protection glass or filters. With glass or filters, quantum efficiency decreases by approximately 10%.

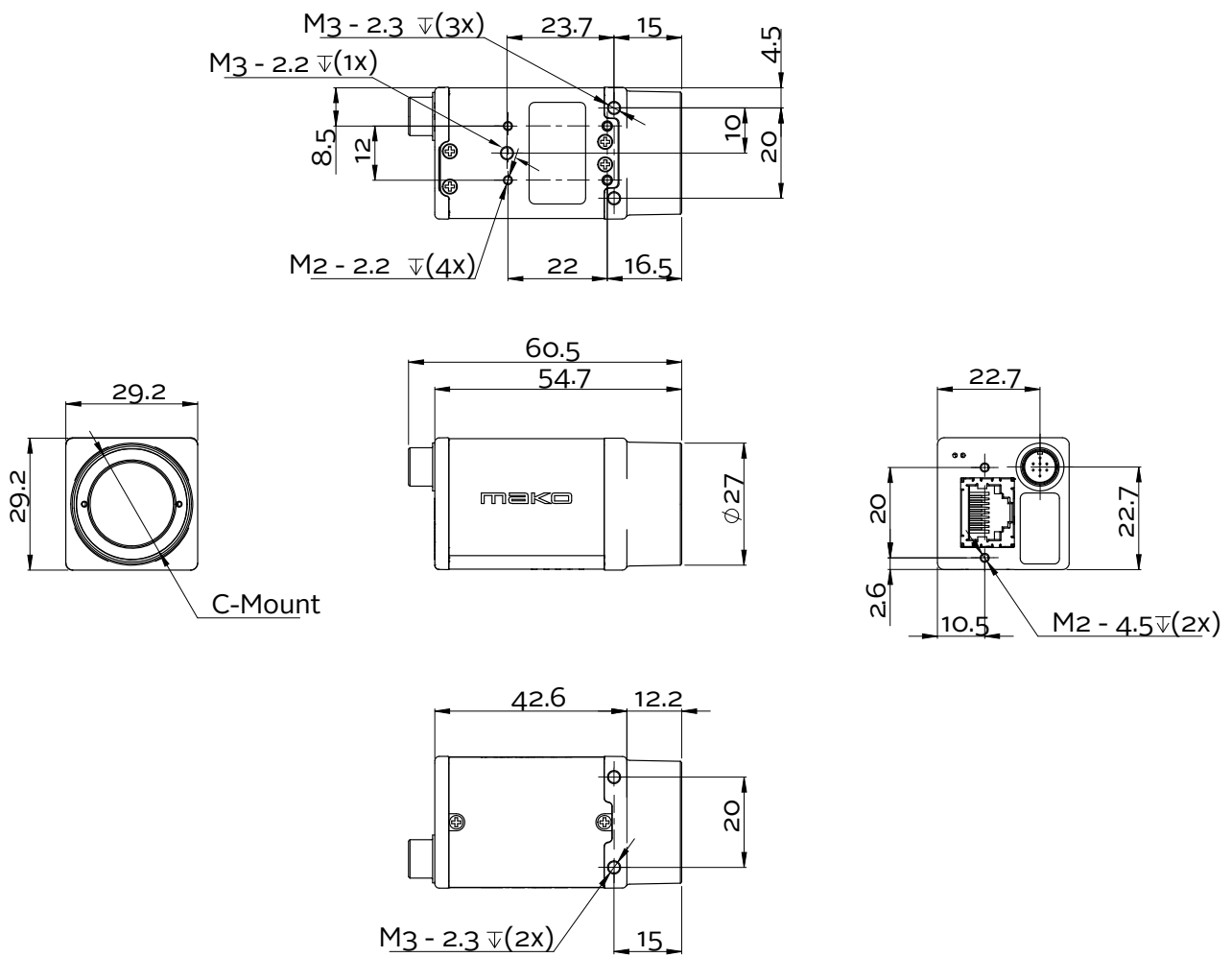
特性

- Camera temperature monitoring
- ROI, separate ROI for auto features
- Binning
- Auto gain (manual gain control: 0 to 32 dB)
- Auto exposure (manual exposure control: 41 μ s to 84 s)
- Auto white balance
- LUTs (look-up tables)



- Gamma
- Hue, saturation, color correction
- StreamBytesPerSecond (easy bandwidth control)
- Stream hold
- Sync out modes: Trigger ready, input, exposing, readout, imaging, strobe, GPO
- Event channel
- Chunk data
- Storable user sets

外形尺寸





应用场景

Mako G is an inexpensive industrial GigE camera with a compact form factor. It is suitable for all typical machine vision applications:

- Robotics
- Quality control
- Inspection, surveillance
- Industrial imaging
- Machine vision
- Logistics