

Mako G

G-032



- Ultra-compact design
- Affordable
- Power over Ethernet
- High frame rate

GigE camera with Sony ICX424 CCD sensor, 102.3 fps

Mako G-032 is a 0.3 megapixel GigE machine vision camera that incorporates the high quality Type 1/3 (6.0 mm diagonal) Sony ICX424 CCD sensor with HAD technology. At full resolution, this camera runs 102.3 frames per second. With a smaller region of interest, higher frame rates are possible.

Mako G cameras have the same ultra-compact form factor and the same mounting positions as many analog cameras. All models include Power over Ethernet (PoE), three opto-isolated outputs, and a 64 MB image buffer. The image quality profits from the precisely aligned sensor. By default monochrome models ship with no optical filter and color models ship with IRC Hoya C-5000 IR cut filter.

Benefits and features:

- Monochrome (G-032B) and color (G-032C) models
- GigE Vision interface with Power over Ethernet
- Screw mount RJ45 Ethernet connector for secure operation in industrial environments
- Supports cable lengths up to 100 meters (CAT-5e or CAT-6)
- Comprehensive I/O functionality for simplified system integration
- Popular C-Mount lens mount
- Easy camera mounting via standard M3 threads on top and bottom of housing or optional tripod adapter
- Easy software integration with Allied Vision's [Vimba SDK](#) and compatibility to the most popular [third party image-processing libraries](#).
- Available with protection glass, IR cut filter, or IR pass filter



See the [Modular Concept](#) for lens mount and optical filter options.
See the [Customization and OEM Solutions](#) webpage for additional options.

性能参数

Mako G	G-032
接口	IEEE 802.3 1000BASE-T, IEEE 802.3af (PoE)
分辨率	658 (H) × 492 (V)
传感器	Sony ICX424
传感器类型	CCD Progressive
Shutter mode	Global shutter
传感器尺寸	Type 1/3
像元尺寸	7.4 μm × 7.4 μm
Lens mounts (available)	C-Mount, CS-Mount, S-Mount
最大满帧帧率	102.3 fps
ADC	14 Bit
缓存 (RAM)	64 MByte
非易失性内存 (Flash)	1024 KByte (for selected models only)

成像性能

成像性能数据是基于欧洲机器视觉协会 (EMVA) 1288发布的3.1版图像传感器和像机特征描述标准中的评估方法。测量值是在没有光学滤波片的全分辨率下，测量单色模型的典型值。请联系销售或工程师了解更多信息。

在波长为529nm下，量子转换效率	50 %
暗噪声	14.7 e ⁻
饱和电子数	17800 e ⁻
动态范围	61.4 dB
绝对灵敏度阈值	15.2 e ⁻

输出

Bit位数	8/12 Bit
黑白像素格式	Mono8, Mono12, Mono12Packed
YUV彩色像素格式	YUV411Packed, YUV422Packed, YUV444Packed
RGB彩色像素格式	RGB8Packed, BGR8Packed
原始像素格式	BayerRG8, BayerRG12, BayerRG12Packed

通用输入输出(GPIOs)

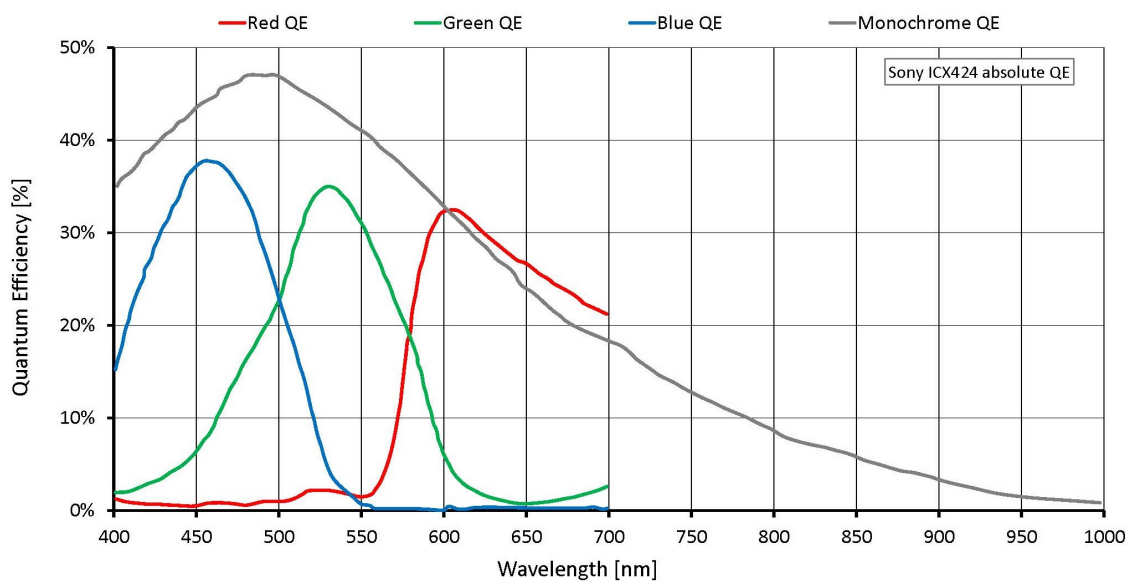
光耦 I/Os	1 input, 3 outputs
---------	--------------------

工作条件/尺寸

工作温度	+5 °C to +45 °C housing temperature
电源要求 (DC)	12 to 24 VDC AUX or 802.3at Type 1 PoE
功耗	2.4 W at 12 VDC; 2.8 W PoE

Mako G	G-032
重量	80 g (with C-Mount)
尺寸 (L × W × H in mm)	60.5 × 29.2 × 29.2 (incl. connectors)
符合规范	CE: 2014/30/EU (EMC), 2011/65/EU, including amendment 2015/863/EU (RoHS); FCC Class B; CAN ICES-003

量子转换效率



特性

Image optimization features:

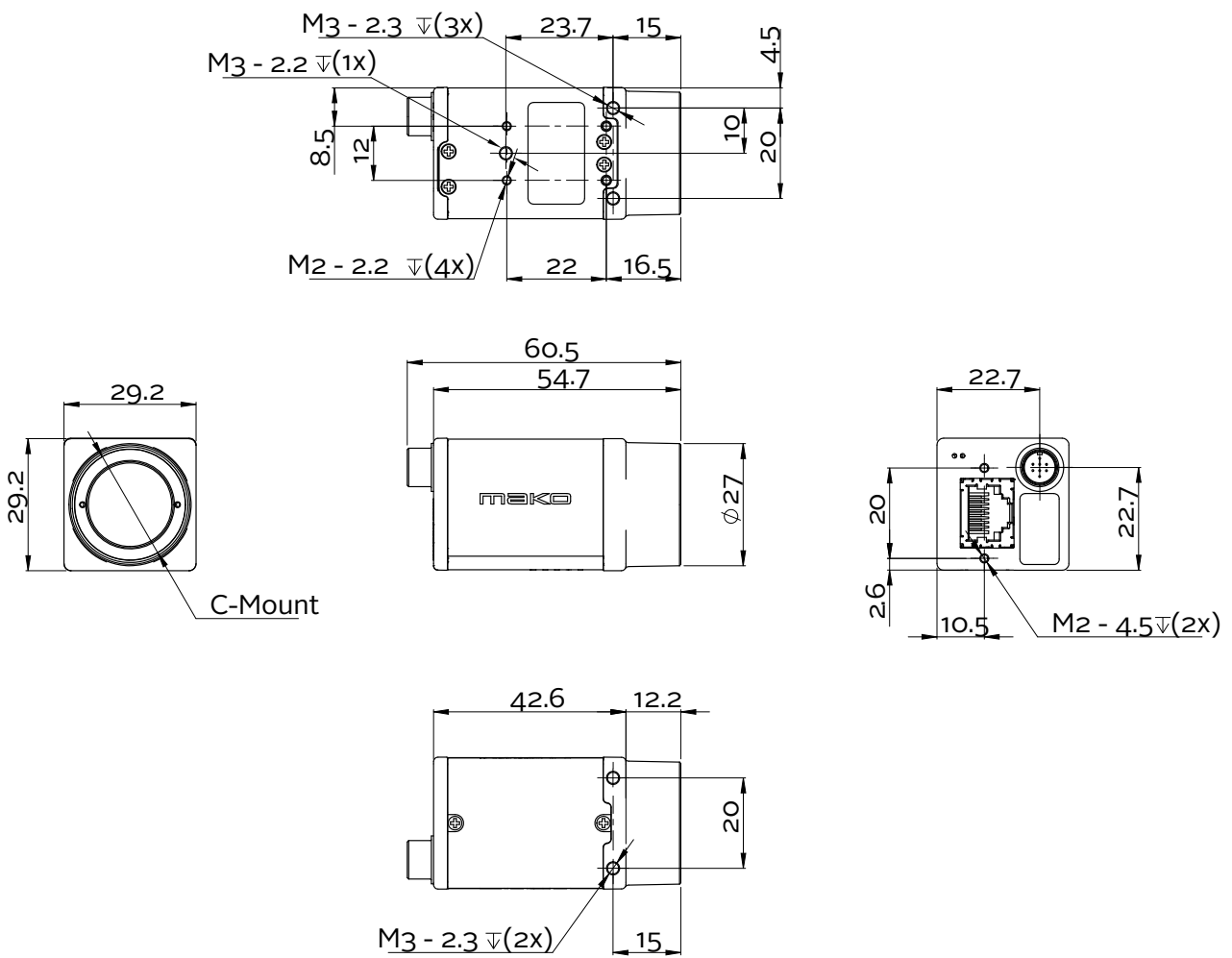
- Auto gain (manual gain control: 0 to 30 dB; 1 dB increments)
- Auto exposure (manual exposure control: 10 μ s to 93 s; 1 μ s increments)
- Auto white balance (G-032C only)
- Binning
- Color correction, hue, saturation (G-032C only)
- Gamma correction
- One look-up table (LUT)
- Region of interest (ROI), separate ROI for auto features



Camera control features:

- Event channel
- Image chunk data
- Storable user sets
- StreamBytesPerSecond (easy bandwidth control)
- Stream hold
- Sync out modes: Trigger ready, input, exposing, readout, imaging, strobe, GPO
- Temperature monitoring (main board only)
- Non-volatile memory 1024 KByte (for selected models only)

外形尺寸





应用场景

Mako G-032 is an inexpensive industrial GigE camera with a compact form factor. It is suitable for all typical machine vision applications:

- Robotics
- Quality control
- Inspection, surveillance
- Industrial imaging
- Machine vision
- Logistics