

Revision history

Version	Date	Remarks
V1.0.0	2018-May-31	Initial release

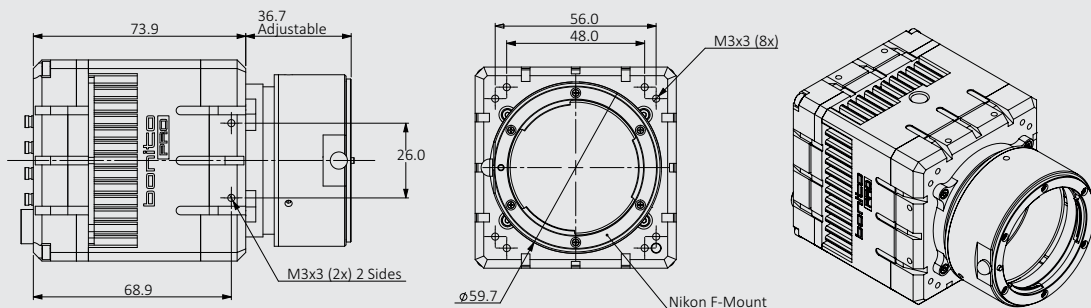
Table 1: Document history

Introduction

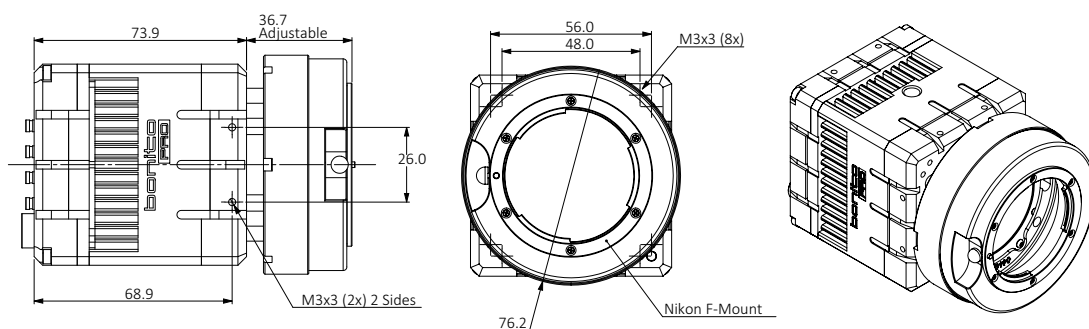
This document compares mount envelope dimensions of Bonito PRO lens mounts. All dimensions are stated in millimeters (mm).

F-Mount

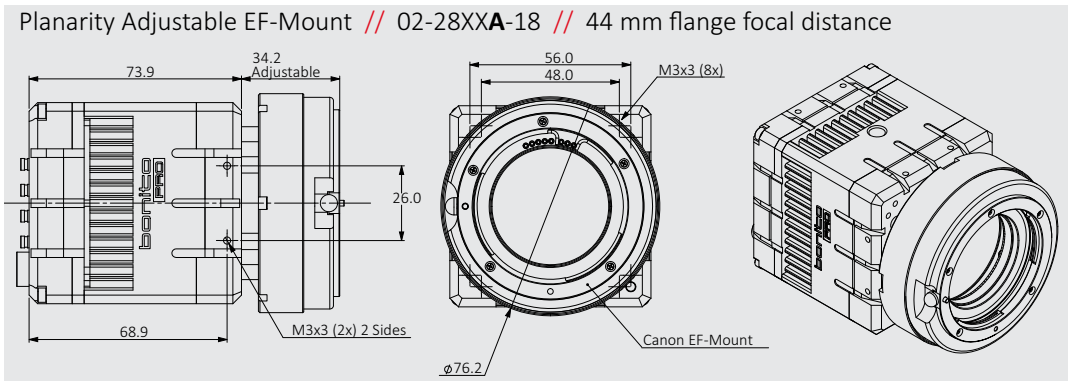
Standard F-Mount (default lens mount) // 02-28XXA // 46.5 mm flange focal distance



Planarity Adjustable F-Mount // 02-28XXA-03 // 46.5 mm flange focal distance

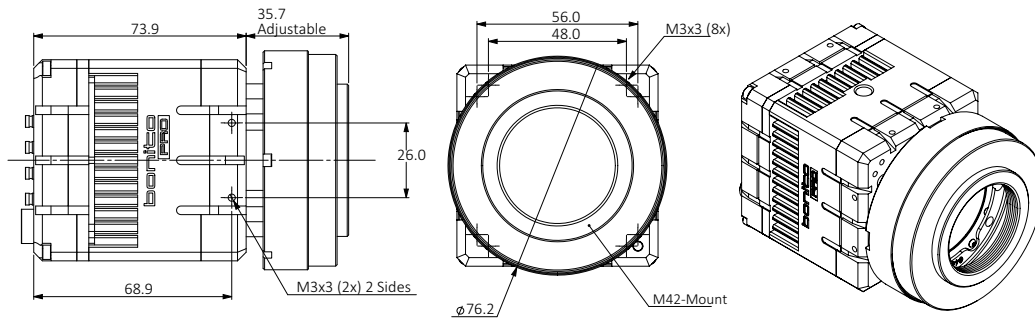


EF-Mount

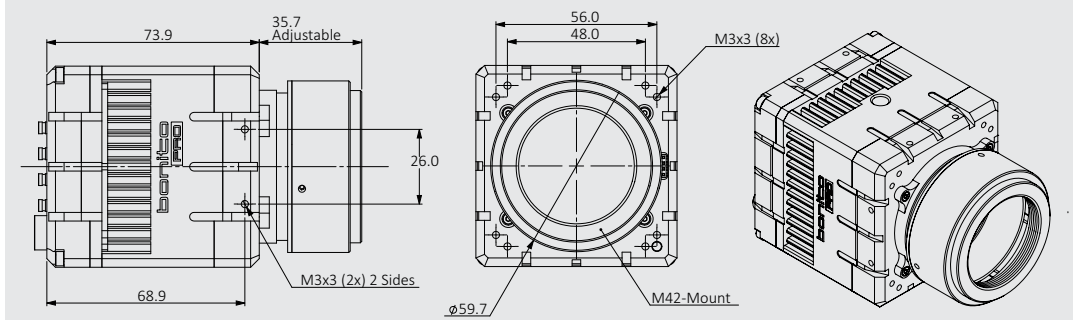


M42-Mount

Planarity Adjustable M42-Mount // 02-28XXA-25 // 45.46 mm flange focal distance

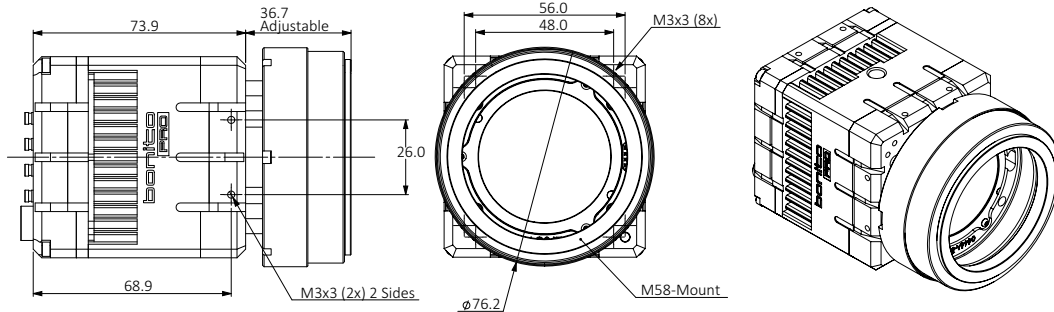


Standard M42-Mount // 02-28XXA-31 // 45.46 mm flange focal distance

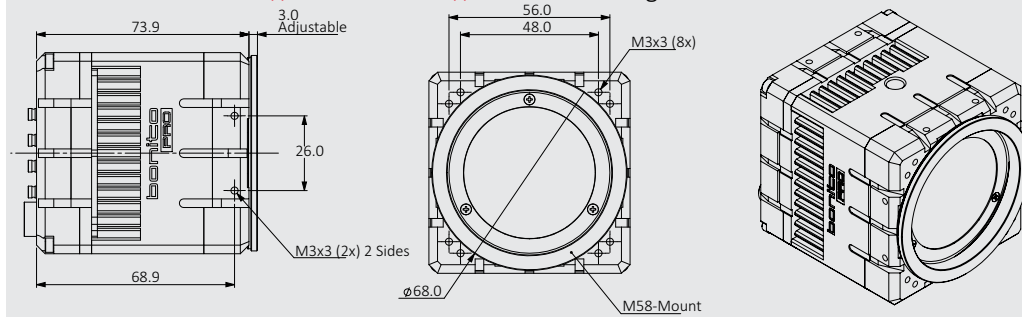


M58-Mount

Planarity Adjustable M58-Mount // 02-28XXA-13 // 46.5 mm flange focal distance



Standard M58-Mount // 02-28XXA-12 // 12.71 mm flange focal distance



For technical support, please contact support@alliedvision.com.

For comments or suggestions regarding this document, please contact info@alliedvision.com.

Copyright and trademarks

All text, pictures, and graphics are protected by copyright and other laws protecting intellectual property. All content is subject to change without notice.

All trademarks, logos, and brands cited in this document are property and/or copyright material of their respective owners. Use of these trademarks, logos, and brands does not imply endorsement.

Copyright © 2018 Allied Vision GmbH. All rights reserved.