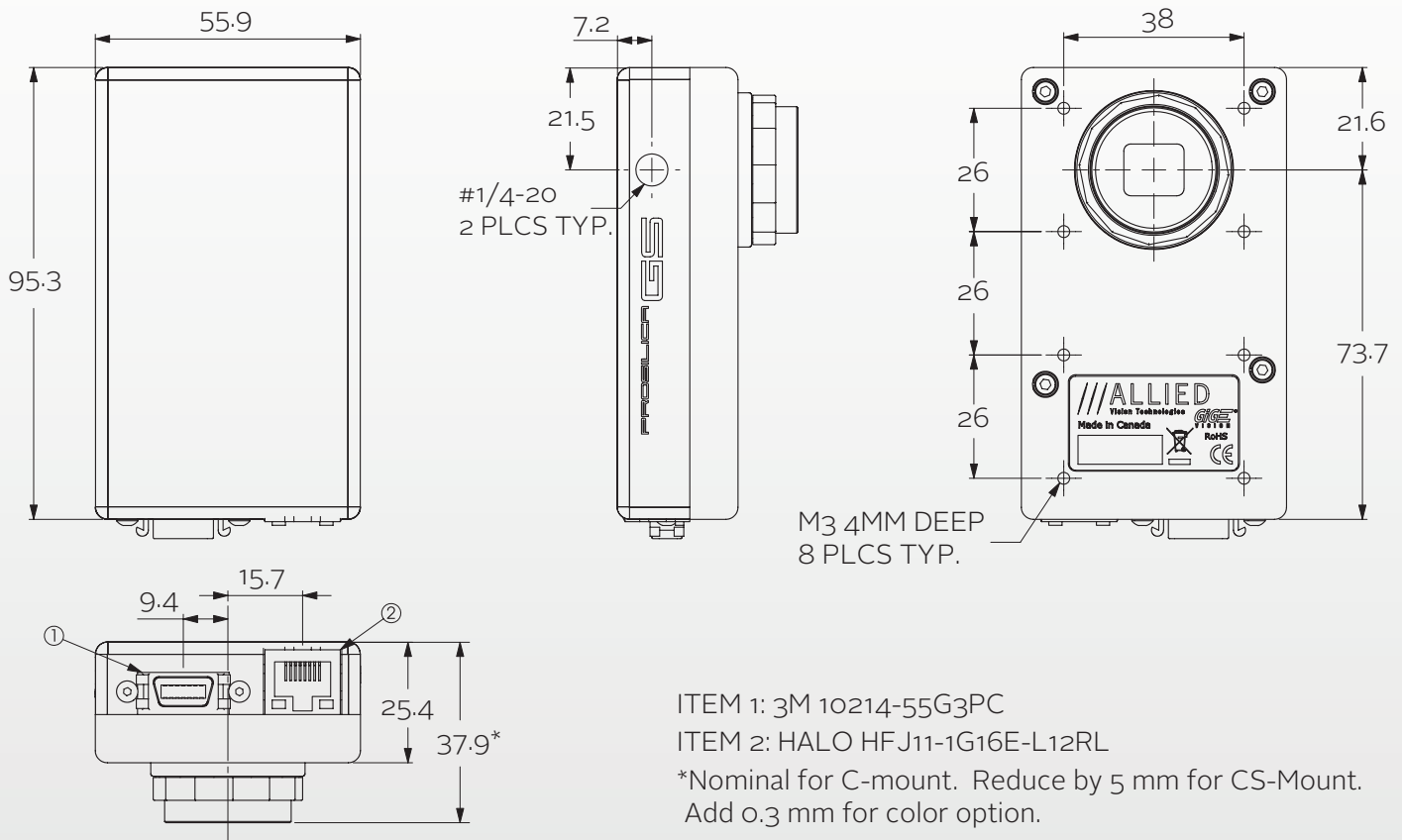


// TECHNICAL DRAWING

Prosilica GS Cameras

Landscape sensor orientation: GS650, GS660, GS1380, GS2450



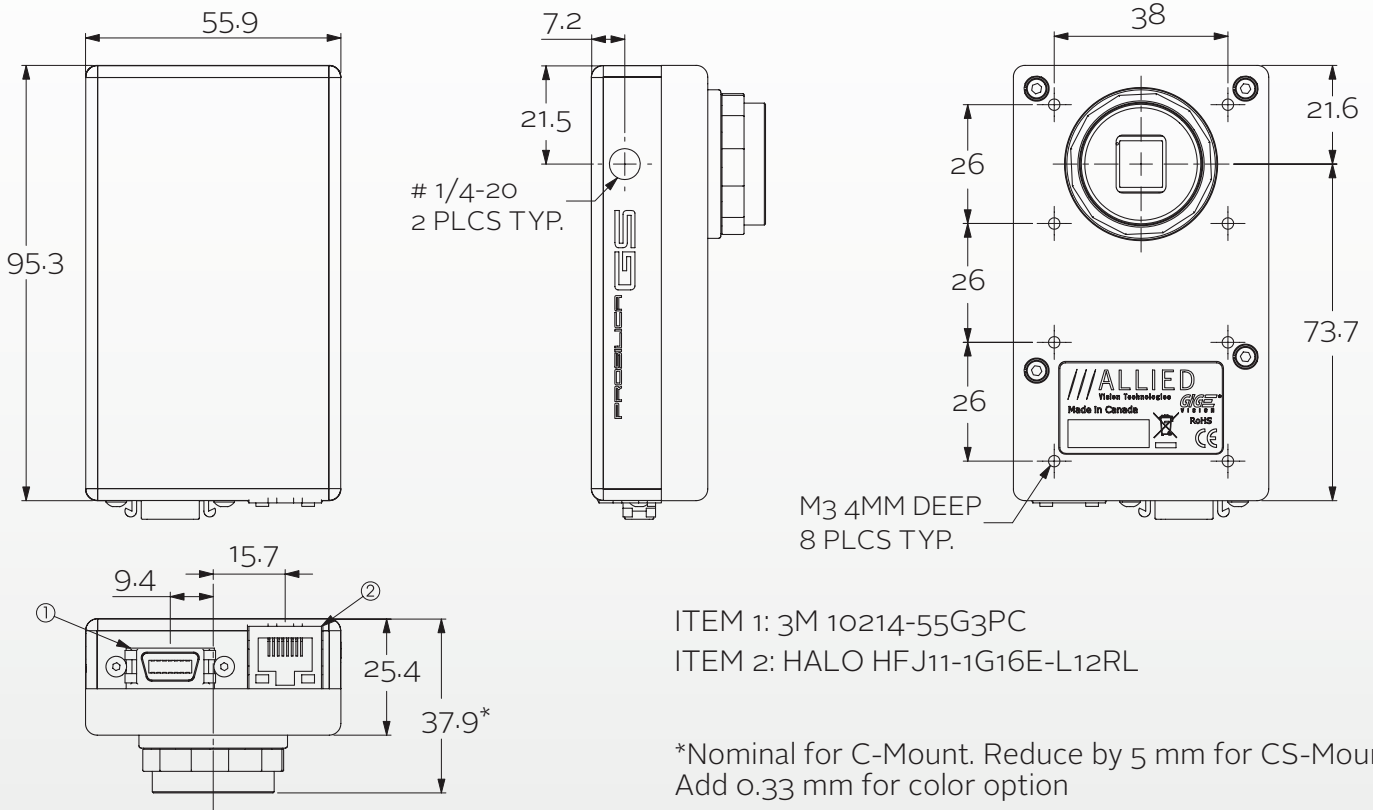
All data in this document is subject to change without notice. All texts, pictures and graphics are protected by copyright and other laws protecting intellectual property.

Copyright © 12/2014 Allied Vision Technologies GmbH

All rights reserved.

www.alliedvision.com | info@alliedvision.com

Portrait sensor orientation: GS650, GS1380



ITEM 1: 3M 10214-55G3PC
 ITEM 2: HALO HFJ11-1G16E-L12RL

*Nominal for C-Mount. Reduce by 5 mm for CS-Mount.
 Add 0.33 mm for color option