



Stingray F-146



- Versatile 1.4 MP camera
- Advanced feature set
- Many variants
- Excellent image quality

基本描述

Digital machine vision camera - FireWire - Sony ICX267

The Stingray F-146B/F-146C is equipped with a Sony HAD CCD sensor (ICX267). At full resolution, this digital machine vision camera runs at 15 fps. Higher frame rates can be reached by a smaller AOI, binning (b/w) or sub-sampling.

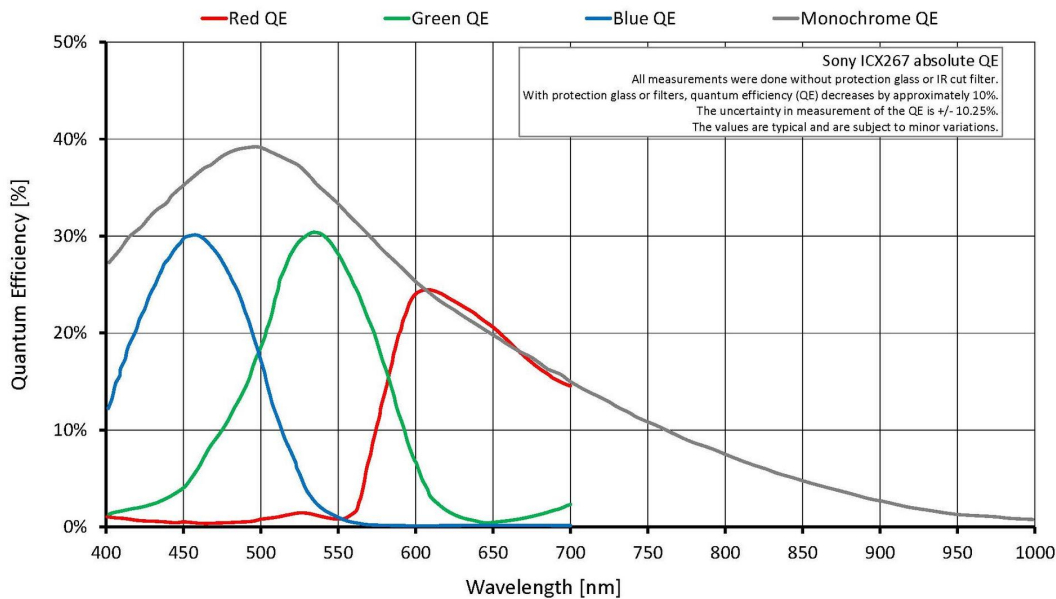
Options:

- IEEE 1394b connectors: 2 x copper (daisy chain), Hirose power: out
- Various IR cut/pass filters, various lens mounts
- Angled head, board level version, white medical housing

性能参数

Stingray	F-146
接口	IEEE 1394b - 800 Mb/s, 2 ports, daisy chain
分辨率	1388 (H) × 1038 (V)
传感器	Sony ICX267
传感器类型	CCD Progressive
传感器尺寸	Type 1/2
像元尺寸	4.65 μm × 4.65 μm
标准镜头接口	C-Mount
最大满帧帧率	15 fps
ADC	14 bit
缓存 (RAM)	Up to 128 MByte
非易失性内存 (Flash)	256 KByte (for selected models only)
输出	

Stingray	F-146
Bit位数	8-14 bit
黑白像素格式	Mono8, Mono12, Mono16
RGB彩色像素格式	RGB8
原始像素格式	Raw8, Raw12, Raw16
通用输入输出(GPIOs)	
光耦 I/Os	2 inputs, 4 outputs
RS232	1
工作条件/尺寸	
工作温度	+5 °C to +45 °C
电源要求 (DC)	8 V to 36 V
功耗	<4 W (@ 12 VDC)
重量	92 g
尺寸(L × W × H in mm)	72.9 × 44 × 29 (including connectors)
符合规范	CE: 2014/30/EU (EMC), 2011/65/EU (RoHS); FCC Class B



特性

- High SNR mode (up to 24 dB better signal-to-noise ratio)
- Low-noise binning mode
- Shading correction
- Defect pixel correction
- AOI, separate AOI for auto features



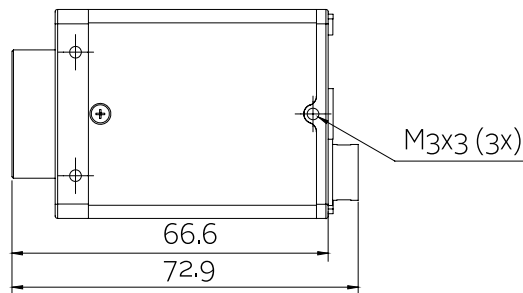
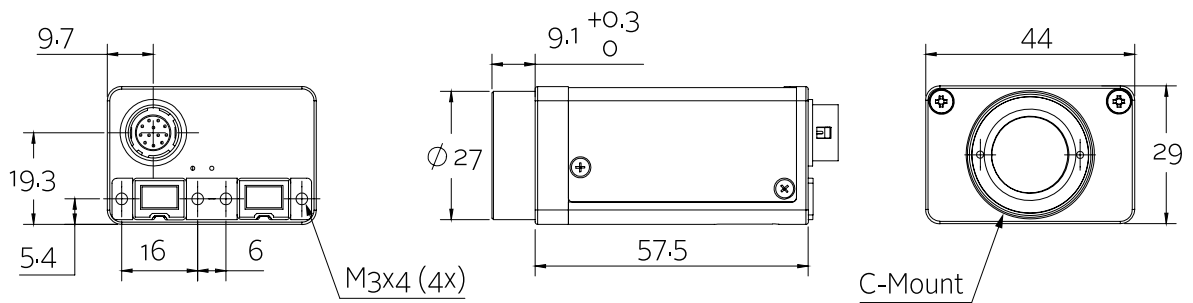
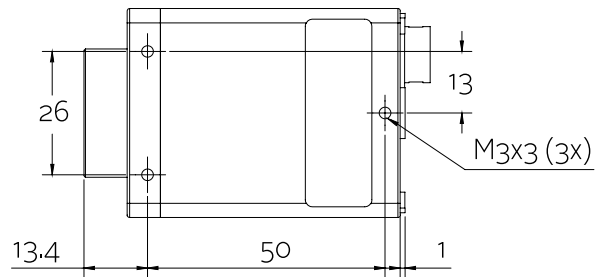
- Binning
- Decimation
- Auto gain (manual gain control: 0 to 24.4 dB)
- Auto exposure (39 μ s to 67 s)
- Auto white balance
- Look-up table (LUT)
- Hue, saturation
- Color correction
- Local color anti-aliasing
- Reverse X/Y
- Deferred image transport
- Trigger programmable, level, single, bulk, programmable delay
- Sequence mode (changes the camera settings on the fly)
- SIS (secure image signature, time stamp for trigger, frame count etc.)
- Storable user sets
- Non-volatile memory 256 KByte (for selected models only)

发货方式

- 相机和1394b数据线一套（特殊要求除外）

外形尺寸

2 x 1394b copper





应用场景

The Stingray F-146 digital machine vision cameras fit many applications, their flexibility is a benefit of all Stingray FireWire cameras. Allied Vision recommends using this camera for:

- Industrial inspection and automation
- Logistics
- Science and research
- Healthcare and medical (white housing available)
- Multimedia, entertainment and sports
- Intelligent traffic solutions (ITS)
- ... and many more

Additionally, it is ideally suited for:

- Demanding OEM camera applications (board level versions with separate sensor board available on request)
- Daisy chain applications (two copper connectors)