

Prosilica GX 2300



- 240 MBps with dual port LAG technology
- 3-axis motorized lens control
- 32 fps at full resolution
- ON Semi KAI-04050 sensor

基本描述

4.1 Megapixel CCD camera, 32 fps, Dual interface Gigabit Ethernet output

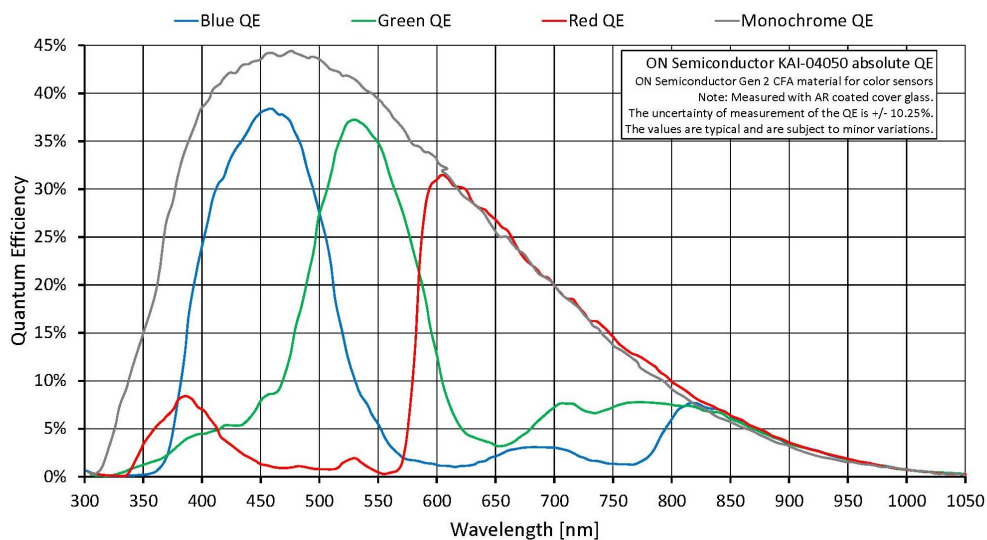
Prosilica GX2300 is a very high-resolution CCD camera with dual Gigabit Ethernet output (GigE Vision®). This camera features the ON Semiconductor KAI-04050 image sensor that provides superior image quality, excellent sensitivity, and low noise. At full resolution, this camera has a frame rate of 32 frames per second. With a smaller region of interest higher frame rates are possible. This camera has two screw-captivated Gigabit Ethernet ports configured as a Link Aggregation Group (LAG) to provide a sustained maximum data rate of 240 MBps. It can also work at half the bandwidth (120 MBps) using a single cable. By default monochrome models ship with no optical filter and color models ship with an IRC30 IR cut filter.

性能参数

Prosilica GX	2300
接口	IEEE 802.3 1000baseT
分辨率	2336 (H) × 1752 (V)
传感器	ON Semi KAI-04050
传感器类型	CCD Progressive
传感器尺寸	Type 1
像元尺寸	5.5 μm × 5.5 μm
标准镜头接口	C-Mount
最大满帧帧率	32 fps
ADC	14 bit
缓存 (RAM)	128 MByte

输出

Prosilica GX	2300
Bit位数	14 (monochrome); 12 (color) bit
黑白像素格式	Mono8, Mono12, Mono12Packed, Mono14
RGB彩色像素格式	RGB8Packed, BGR8Packed, RGBA8Packed, BGRA8Packed, RGB12Packed
原始像素格式	BayerGR8, BayerGR12, BayerGR12Packed
通用输入输出(GPIOs)	
光耦 I/Os	2 inputs, 4 outputs
RS232	1
工作条件/尺寸	
工作温度	0 °C to +50 °C ambient (without condensation)
电源要求 (DC)	10 to 24 VDC
功耗	5.8 W at 12 VDC (Single GigE Mode); 6.9 W at 12 VDC (Dual GigE Mode)
重量	269 g
尺寸(L × W × H in mm)	107.2 × 53.3 × 33 (including connectors)
符合规范	CE: 2014/30/EU (EMC), 2011/65/EU, including amendment 2015/863/EU (RoHS); FCC Class A; CAN ICES-003



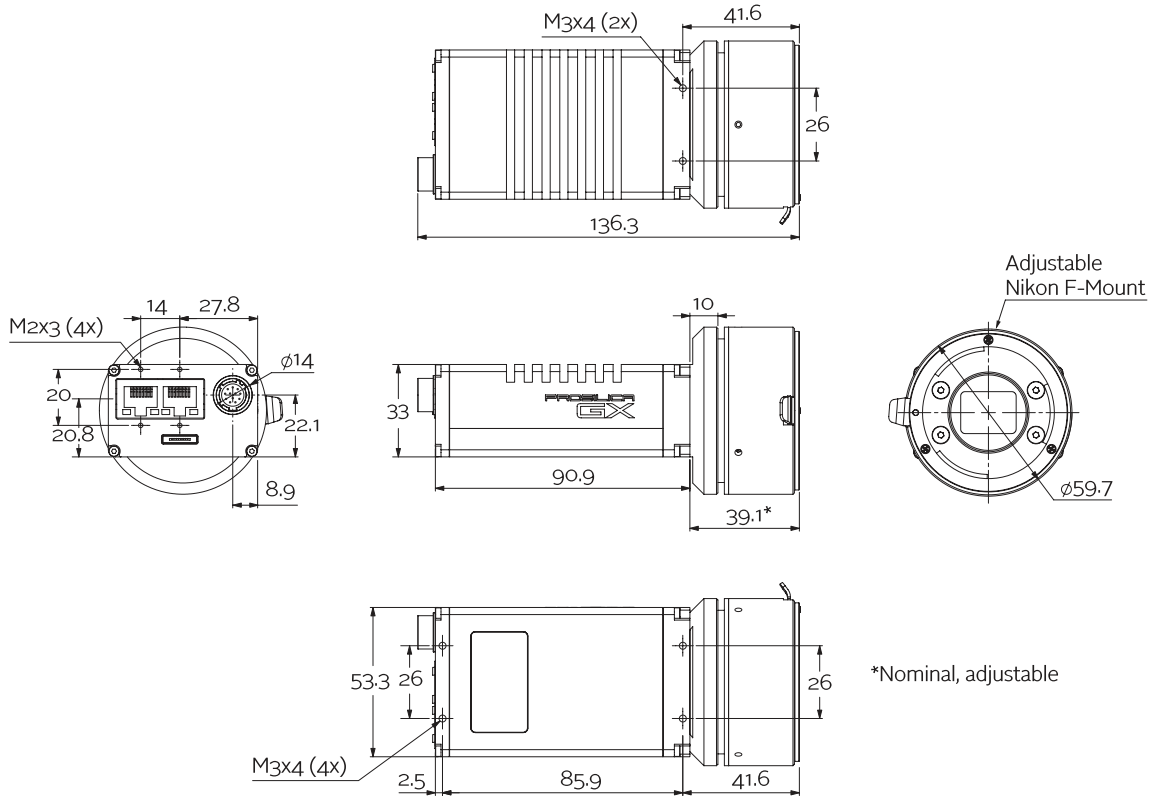
特性

Prosilica GX2300 features include:



- 3-axis motorized lens control
- Video-type auto iris
- Region of interest (ROI), DSP subregion (selectable ROI for auto features)
- Binning (Sum)
- Auto gain (manual gain control: 0 to 34 dB)
- Auto exposure (manual exposure controls: 10 μ s to 26.8 s)
- Auto white balance
- StreamBytesPerSecond (bandwidth control)
- Stream hold
- Sync out modes: Trigger ready, input, exposing, readout, imaging, strobe, GPO
- Global shutter (digital shutter)
- Recorder and Multiframe acquisition modes
- Event channel
- Chunk data
- Storable user sets

外形尺寸





应用场景

Prosilica GX2300 is ideal for a wide range of applications including:

- LCD panel inspection
- High-resolution industrial inspection
- 3D metrology
- General machine vision
- Public security
- Military surveillance
- Traffic imaging (Intelligent Traffic Systems)
- Embedded systems
- OEM applications