

# Prosilica GX 1910



- 240 MBps with dual port LAG technology
- 3-axis motorized lens control
- High frame rate at full bit depth
- ON Semi KAI-02150 sensor

## 基本描述

### 2 Megapixel HD CCD camera, 63 fps, Dual interface Gigabit Ethernet output

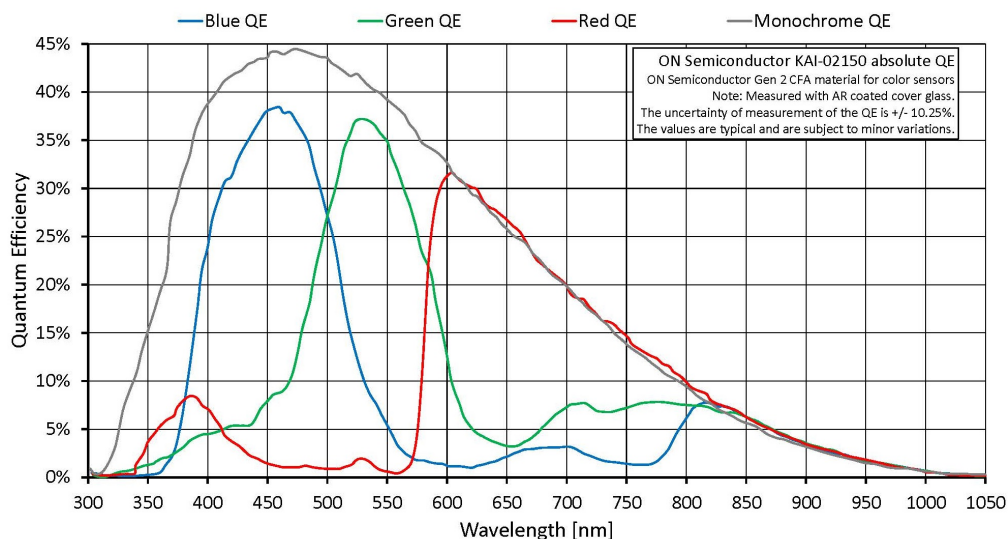
Prosilica GX1910 is a high-resolution CCD camera with dual Gigabit Ethernet ports (GigE Vision®). This camera incorporates the ON Semiconductor KAI-02150 CCD sensor providing excellent image quality in High Definition resolution (1080p). At full resolution, this camera has a frame rate of 63 frames per second. With a smaller region of interest higher frame rates are possible. This camera has two screw-captivated Gigabit Ethernet ports configured as a Link Aggregation Group (LAG) to provide a sustained maximum data rate of 240 MBps. It can also work at half the bandwidth (120 MBps) using a single cable. By default monochrome models ship with no optical filter and color models ship with an IRC30 IR cut filter.

## 性能参数

Prosilica GX	1910
接口	IEEE 802.3 1000baseT
分辨率	1920 (H) × 1080 (V)
传感器	ON Semi KAI-02150
传感器类型	CCD Progressive
传感器尺寸	Type 2/3
像元尺寸	5.5 μm × 5.5 μm
标准镜头接口	C-Mount
最大满帧帧率	63 fps
ADC	14 bit
缓存 (RAM)	128 MByte

输出

Prosilica GX	1910
Bit位数	14 (monochrome); 12 (color) bit
黑白像素格式	Mono8, Mono12, Mono12Packed, Mono14
RGB彩色像素格式	RGB8Packed, BGR8Packed, RGBA8Packed, BGRA8Packed, RGB12Packed
原始像素格式	BayerGR8, BayerGR12, BayerGR12Packed
通用输入输出(GPIOs)	
光耦 I/Os	2 inputs, 4 outputs
RS232	1
工作条件/尺寸	
工作温度	0 °C to +50 °C ambient (without condensation)
电源要求 (DC)	10 to 24 VDC
功耗	5.6 W at 12 VDC (Single GigE Mode); 6.7 W at 12 VDC (Dual GigE Mode)
重量	269 g
尺寸(L × W × H in mm)	107.2 × 53.3 × 33 (including connectors)
符合规范	CE: 2014/30/EU (EMC), 2011/65/EU, including amendment 2015/863/EU (RoHS); FCC Class A; CAN ICES-003



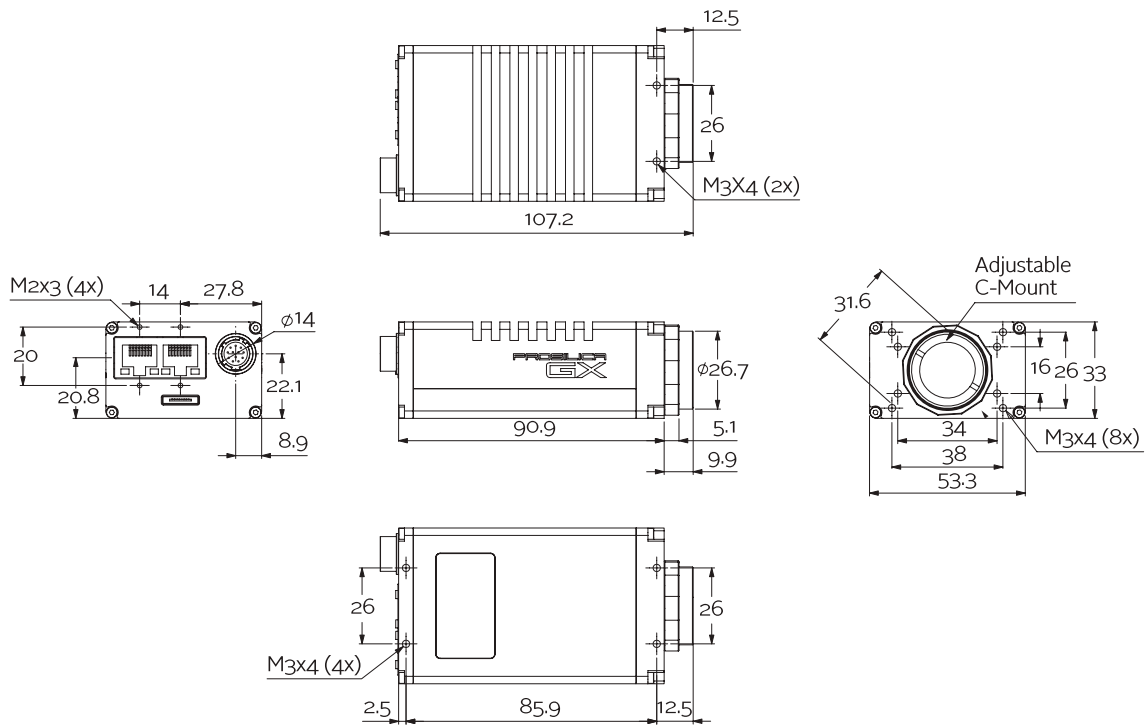
## 特性

Prosilica GX1910 features include:



- 3-axis motorized lens control
- Video-type auto iris
- Region of interest (ROI), DSP subregion (selectable ROI for auto features)
- Binning (Sum)
- Auto gain (manual gain control: 0 to 34 dB)
- Auto exposure (manual exposure controls: 10  $\mu$ s to 26.8 s)
- Auto white balance
- StreamBytesPerSecond (bandwidth control)
- Stream hold
- Sync out modes: Trigger ready, input, exposing, readout, imaging, strobe, GPO
- Global shutter (digital shutter)
- Recorder and Multiframe acquisition modes
- Event channel
- Chunk data
- Storable user sets

## 外形尺寸





## 应用场景

Prosilica GX1910 is ideal for a wide range of applications including:

- Industrial inspection
- Machine vision
- LCD panel inspection
- Medical imaging
- Ophthalmology
- Aeronautical and aerospace
- Public security
- Surveillance
- Traffic imaging
- OEM applications