

# Prosilica GT 1930L



- Versatile temperature range for extreme environments
- Latest Sony CMOS sensor
- PTP and PoE
- EF lens control

## 基本描述

### 2.35 Megapixel machine vision camera with Sony IMX CMOS sensor

Prosilica GT1930L is a 2.35 Megapixel camera with a GigE Vision compliant Gigabit Ethernet port and Hirose I/O port. This camera incorporates the high quality Sony IMX174 Exmor CMOS sensor with Pregius global shutter technology providing excellent monochrome and color image quality. At full resolution, this camera runs 50.7 frames per second. With a smaller region of interest, higher frame rates are possible. It is a rugged camera designed to operate in extreme environments. This camera ships with a planarity adjustable EF-Mount as standard. By default monochrome models ship with no optical filter and color models ship with an IRC30 IR cut filter.

#### Benefits and features:

- Monochrome (GT1930L) and color (GT1930LC) models
- GigE Vision interface with Power over Ethernet
- Screw mount RJ45 Ethernet connector for secure operation in industrial environments
- Supports cable lengths up to 100 meters (CAT-5e or CAT-6)
- The Sony IMX174 Exmor is a high sensitivity CMOS sensor
- Trigger over Ethernet (ToE) Action Commands allow for a single cable solution to reduce system costs
- Comprehensive I/O functionality for simplified system integration
- Planarity adjustable (PA) EF Lens Mount for electronic control of aperture and autofocus
- Easy camera mounting via standard M3 threads at all sides and 1/4-20 tripod mounting hole



- Easy software integration with Allied Vision's [Vimba SDK](#) and compatibility to the most popular [third party image-processing libraries](#).

#### Options:

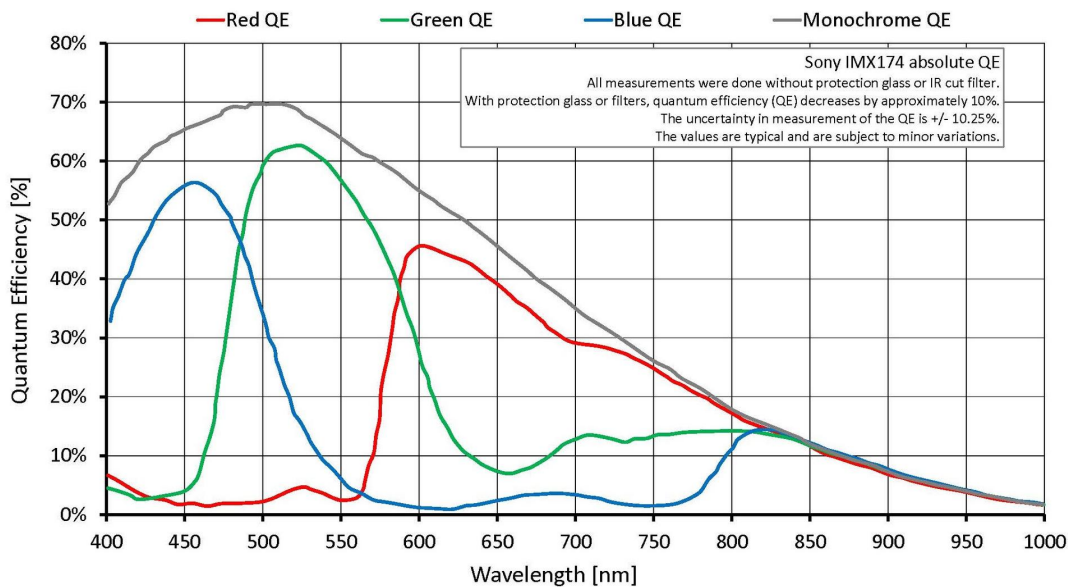
- Available with F-Mount PA, M58-Mount, M58-Mount PA, M42-Mount, M42-Mount PA
- Available with IR cut filter or protection glass

See the [Modular Concept](#) for lens mount and optical filters options. See the [Customization and OEM Solutions](#) page for additional options.

## 性能参数

Prosilica GT	1930L
接口	IEEE 802.3 1000BASE-T, IEEE 802.3af (PoE)
分辨率	1936 (H) × 1216 (V)
传感器	Sony IMX174
传感器类型	CMOS
传感器尺寸	Type 1/1.2
像元尺寸	5.86 μm × 5.86 μm
标准镜头接口	EF-Mount
最大满帧帧率	50.7 fps
ADC	12 bit
缓存 (RAM)	128 MByte
非易失性内存 (Flash)	1024 KByte (for selected models only)
输出	
Bit位数	12 bit
黑白像素格式	Mono8, Mono12Packed, Mono12
YUV彩色像素格式	YUV411Packed, YUV422Packed, YUV444Packed
RGB彩色像素格式	RGB8Packed, BGR8Packed
原始像素格式	BayerRG8, BayerRG12, BayerRG12Packed
通用输入输出(GPIOs)	
TTL I/Os	1 input, 2 outputs
光耦 I/Os	1 input, 2 outputs
RS232	1
工作条件/尺寸	
工作温度	-30 °C to +70 °C housing (without condensation)
电源要求 (DC)	7 to 25 VDC; PoE
功耗	3.24 W at 12 VDC; 3.88 W PoE
重量	372 g

Prosilica GT	1930L
尺寸(L × W × H in mm)	96 × 66 × 53.3 (including connectors)
符合规范	CE: 2014/30/EU (EMC), 2011/65/EU, including amendment 2015/863/EU (RoHS); FCC Class A; CAN ICES-003 Issue 4/5



## 特性

### Image optimization features:

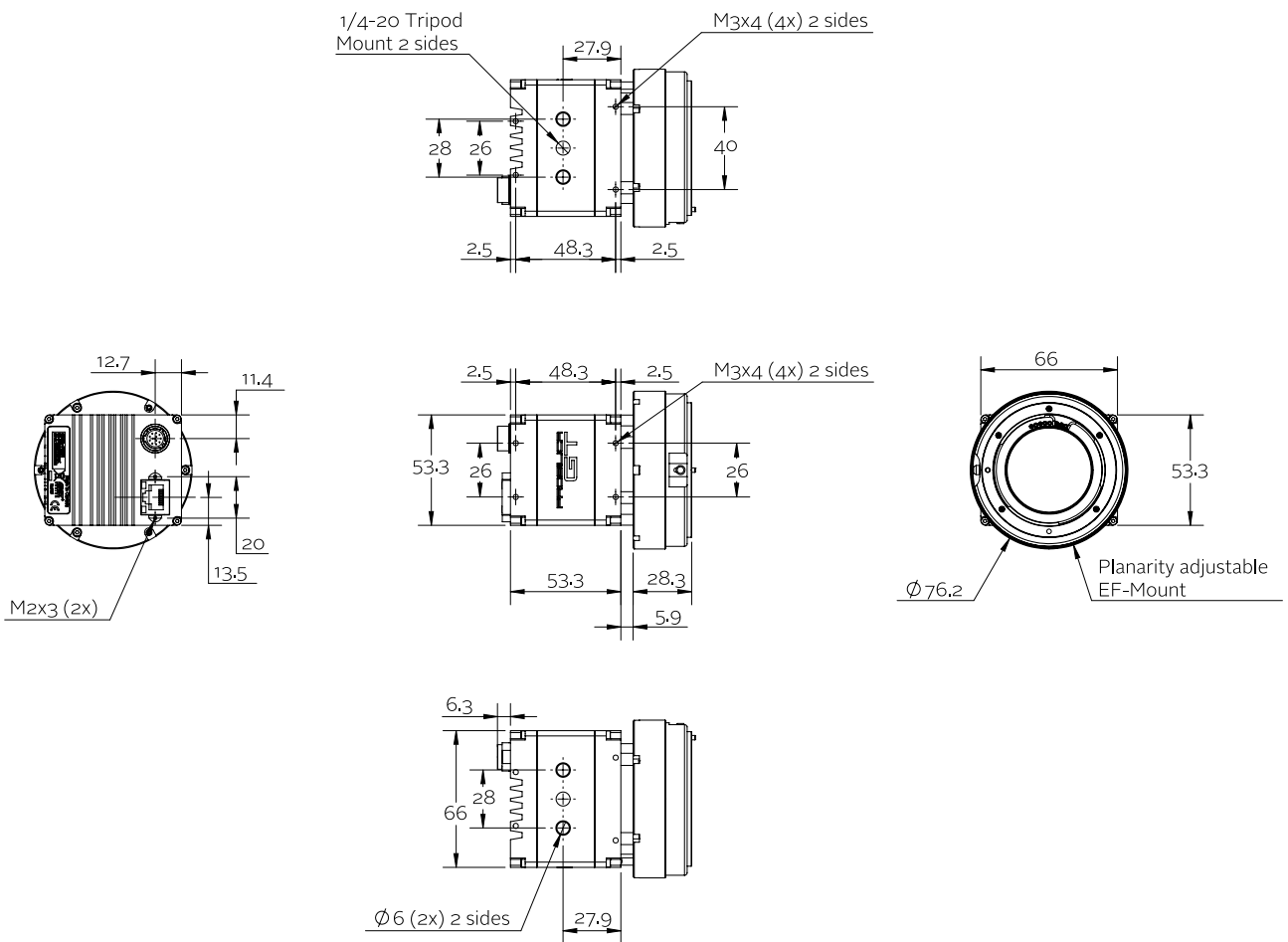
- Auto gain (manual gain control: 0 to 40 dB; 0.1 dB increments)
- Auto exposure (exposure time control varies by pixel format)
- Auto white balance (GT1930LC only)
- Binning (horizontal and vertical)
- BlackLevel (offset)
- Color correction, hue, saturation (GT1930LC only)
- Decimation X/Y
- Gamma correction
- Three look-up tables (LUTs)
- Region of interest (ROI), separate ROI for auto features
- Reverse X/Y



## Camera control features:

- EF lens control
- Event channel
- Image chunk data
- IEEE 1588 Precision Time Protocol (PTP)
- RS232
- Storable user sets
- StreamBytesPerSecond (bandwidth control)
- Stream hold
- Sync out modes: Trigger ready, input, exposing, readout, imaging, strobe, GPO
- Temperature monitoring (main board only)
- Trigger over Ethernet (ToE) Action Commands
- Non-volatile memory 1024 KByte (for selected models only)

## 外形尺寸





## 应用场景

Prosilica GT1930L is ideal for a wide range of applications including:

- Outdoor imaging
- Traffic imaging and ITS
- Public security and surveillance
- Industrial inspection
- Machine vision
- Military and space applications