

Prosilica GT 1380



- Versatile temperature range for extreme environments
- PTP
- PoE
- P-Iris and DC-Iris lens control

基本描述

1.4 Megapixel machine vision camera for extreme environments

Prosilica GT1380 is a 1.4 Megapixel camera with a GigE Vision compliant Gigabit Ethernet port and Hirose I/O port. Prosilica GT1380 is offered in both monochrome and color models. This camera incorporates the high quality Type 2/3 (11.0 mm diagonal) Sony ICX285 CCD sensor with EXview HAD CCD technology providing high-sensitivity, low noise, excellent anti-blooming, and superb image quality. At full resolution, this camera runs 30.5 frames per second. With a smaller region of interest, higher frame rates are possible. It is a robust camera designed to operate in extreme environments and fluctuating lighting conditions. This camera offers Precise iris lens control allowing users to fix the aperture size to optimize depth of field, exposure, and gain without the need for additional control elements. By default monochrome models ship with no optical filter and color models ship with an IRC30 IR cut filter.

Benefits and features:

- Monochrome (GT1380) and color (GT1380C) models
- GigE Vision interface with Power over Ethernet
- Screw mount RJ45 Ethernet connector for secure operation in industrial environments
- Supports cable lengths up to 100 meters (CAT-5e or CAT-6)
- Trigger over Ethernet (ToE) Action Commands allow for a single cable solution to reduce system costs
- Comprehensive I/O functionality for simplified system integration
- Popular C-Mount lens mount
- Easy camera mounting via standard M3 threads or optional tripod adapter
- Easy software integration with Allied Vision's [Vimba SDK](#) and compatibility to the most popular [third party image-processing libraries](#).

Options:

- Available with CS-Mount, F-Mount, EF-Mount Birger, M42-Mount
- Available with IR cut filter or protection glass

See the Modular Concept for lens mount and optical filters options. See the Customization and OEM Solutions page for additional options.

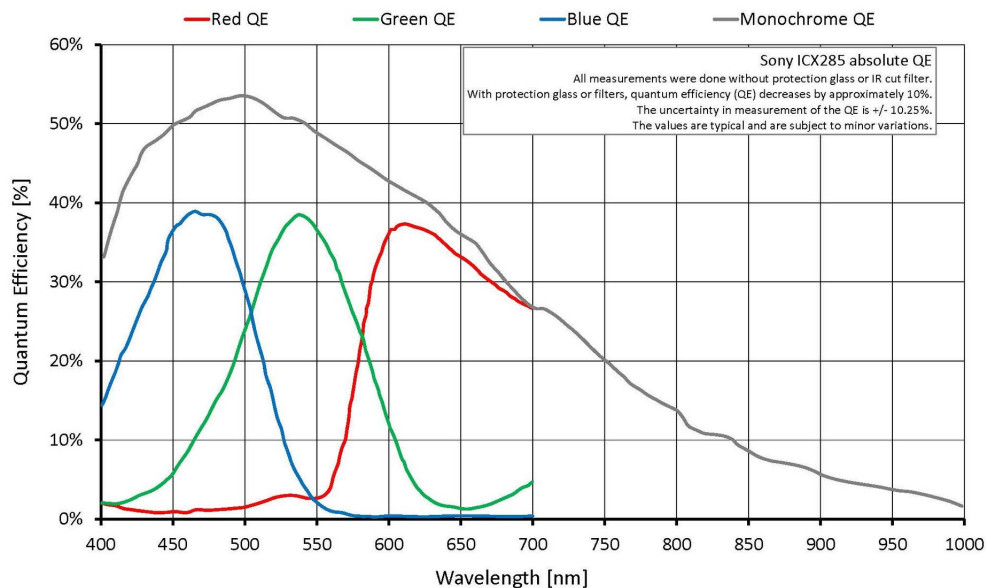
性能参数

Prosilica GT	1380
接口	IEEE 802.3 1000BASE-T, IEEE 802.3af (PoE)
分辨率	1360 (H) × 1024 (V)
传感器	Sony ICX285
传感器类型	CCD Progressive
传感器尺寸	Type 2/3
像元尺寸	6.45 μm × 6.45 μm
标准镜头接口	C-Mount
最大满帧帧率	30.5 fps
ADC	14 bit
缓存 (RAM)	128 MByte
非易失性内存 (Flash)	1024 KByte (for selected models only)
输出	
Bit位数	14 (mono) - 12 (color) bit
黑白像素格式	Mono8, Mono12, Mono12Packed, Mono14
YUV彩色像素格式	YUV411Packed, YUV422Packed, YUV444Packed
RGB彩色像素格式	RGB8Packed, BGR8Packed
原始像素格式	BayerRG8, BayerRG12, BayerRG12Packed
通用输入输出(GPIOs)	
TTL I/Os	1 input, 2 outputs
光耦 I/Os	1 input, 2 outputs
RS232	1
工作条件/尺寸	
工作温度	-20 °C to +65 °C ambient (without condensation)
电源要求 (DC)	7 to 25 VDC; PoE
功耗	3.4 W at 12 VDC; 4.2 W PoE
重量	211 g
尺寸(L × W × H in mm)	86 × 53.3 × 33 (including connectors)

Prosilica GT
符合规范

1380

CE: 2014/30/EU (EMC), 2011/65/EU, including amendment 2015/863/EU (RoHS); FCC Class A; CAN ICES-003 Issue 4/5



特性

Image optimization features:

- Auto gain (manual gain control: 0 to 34 dB)
- Auto exposure (manual exposure control: 10 μ s to 77.3 s)
- Auto white balance (GT1380C only)
- Binning (horizontal and vertical)
- Color correction, hue, saturation (GT1380C only)
- Decimation X/Y
- Gamma correction
- Three look-up tables (LUTs)
- Region of interest (ROI), separate ROI for auto features

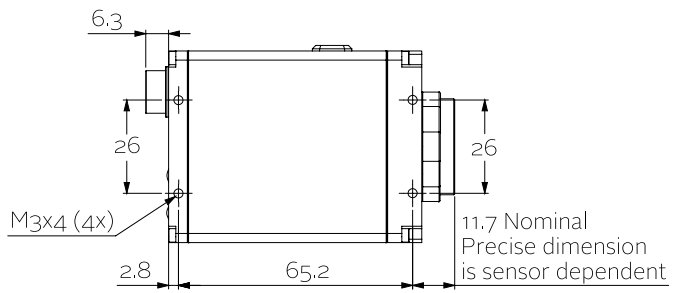
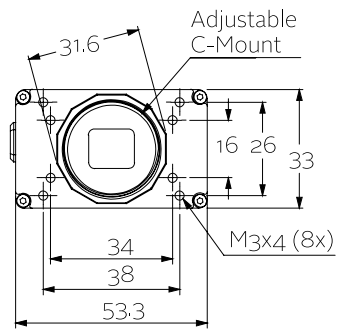
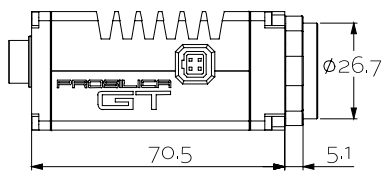
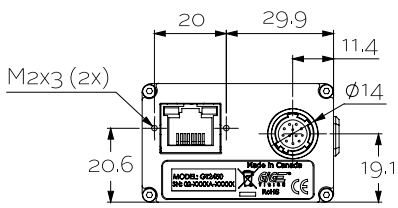
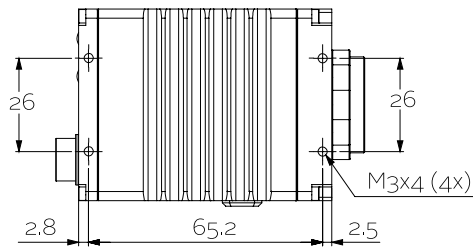
Camera control features:

- P-Iris and DC-Iris lens control
- Event channel
- Image chunk data



- IEEE 1588 Precision Time Protocol (PTP)
- RS232
- Storable user sets
- StreamBytesPerSecond (bandwidth control)
- Stream hold
- Sync out modes: Trigger ready, input, exposing, readout, imaging, strobe, GPO
- Temperature monitoring (main board and sensor board)
- Trigger over Ethernet (ToE) Action Commands
- Non-volatile memory 1024 KByte (for selected models only)

外形尺寸





应用场景

Prosilica GT1380 is ideal for a wide range of applications including:

- Outdoor imaging
- Traffic imaging and ITS
- Public security and surveillance
- Industrial inspection
- Machine vision
- Military and space applications