

Prosilica GS

1380



- Right-angle CCD camera with low height profile
- 30 fps @ full resolution
- Video-type auto iris
- Landscape or portrait sensor orientation

基本描述

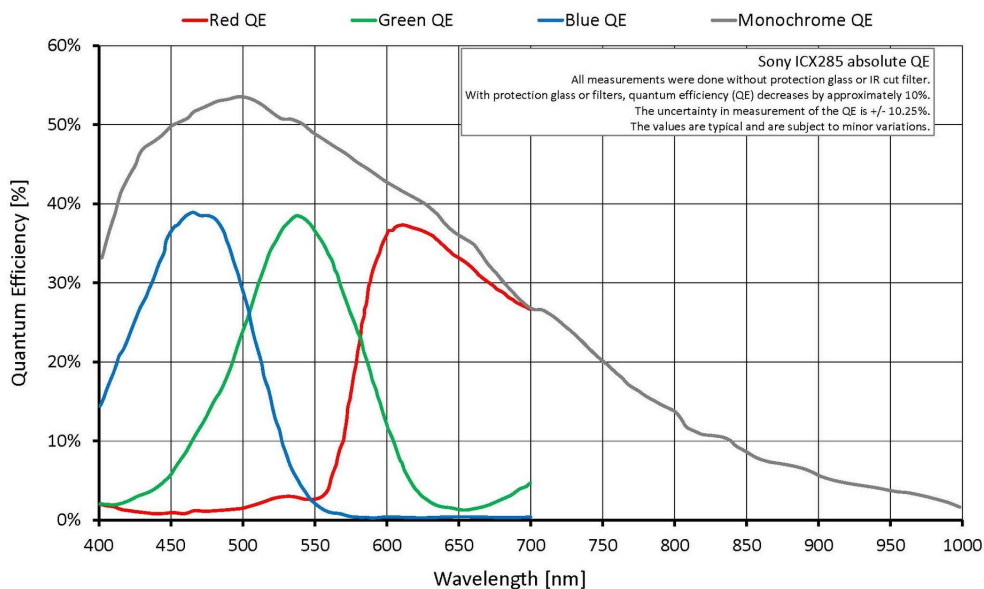
1.4 Megapixel CCD camera with GigE Vision, High sensitivity

Prosilica GS1380 is a very sensitive, high-resolution CCD camera with Gigabit Ethernet interface. This camera incorporates the Sony ICX285 CCD sensor with EXview technology. This camera is available in landscape or portrait orientation. At full resolution, this camera has a frame rate of 30 frames per second. With a smaller region of interest higher frame rates are possible. By default monochrome models ship with no optical filter and color models ship with an IRC30 IR cut filter.

性能参数

| | |
|--------------|--|
| Prosilica GS | 1380 |
| 接口 | IEEE 802.3 1000baseT |
| 分辨率 | 1360 (H) × 1024 (V) |
| 传感器 | Sony ICX285 |
| 传感器类型 | CCD Progressive |
| 传感器尺寸 | Type 2/3 |
| 像元尺寸 | 6.45 μm × 6.45 μm |
| 标准镜头接口 | C-Mount |
| 最大满帧帧率 | 30 fps |
| ADC | 14 bit |
| 缓存 (RAM) | 16 MByte |
| | 输出 |
| Bit位数 | 8/12 bit |
| 黑白像素格式 | Mono8, Mono12, Mono12Packed |
| YUV彩色像素格式 | YUV411Packed, YUV422Packed, YUV444Packed |

| | |
|---------------------|---|
| Prosilica GS | 1380 |
| RGB彩色像素格式 | RGB8Packed, BGR8Packed |
| 原始像素格式 | BayerRG8, BayerRG12, BayerGR12Packed |
| 通用输入输出(GPIOs) | |
| TTL I/Os | 1 input, 1 output |
| 光耦 I/Os | 1 input, 1 output |
| RS232 | 1 |
| 工作条件/尺寸 | |
| 工作温度 | 0 °C to +70 °C ambient (without condensation) |
| 电源要求 (DC) | 5 to 25 VDC |
| 功耗 | 3.5 W at 12 VDC |
| 重量 | 187 g |
| 尺寸(L × W × H in mm) | 96 × 56 × 26 (including connectors) |
| 符合规范 | CE: 2014/30/EU (EMC), 2011/65/EU, including amendment 2015/863/EU (RoHS); FCC Class A |



特性

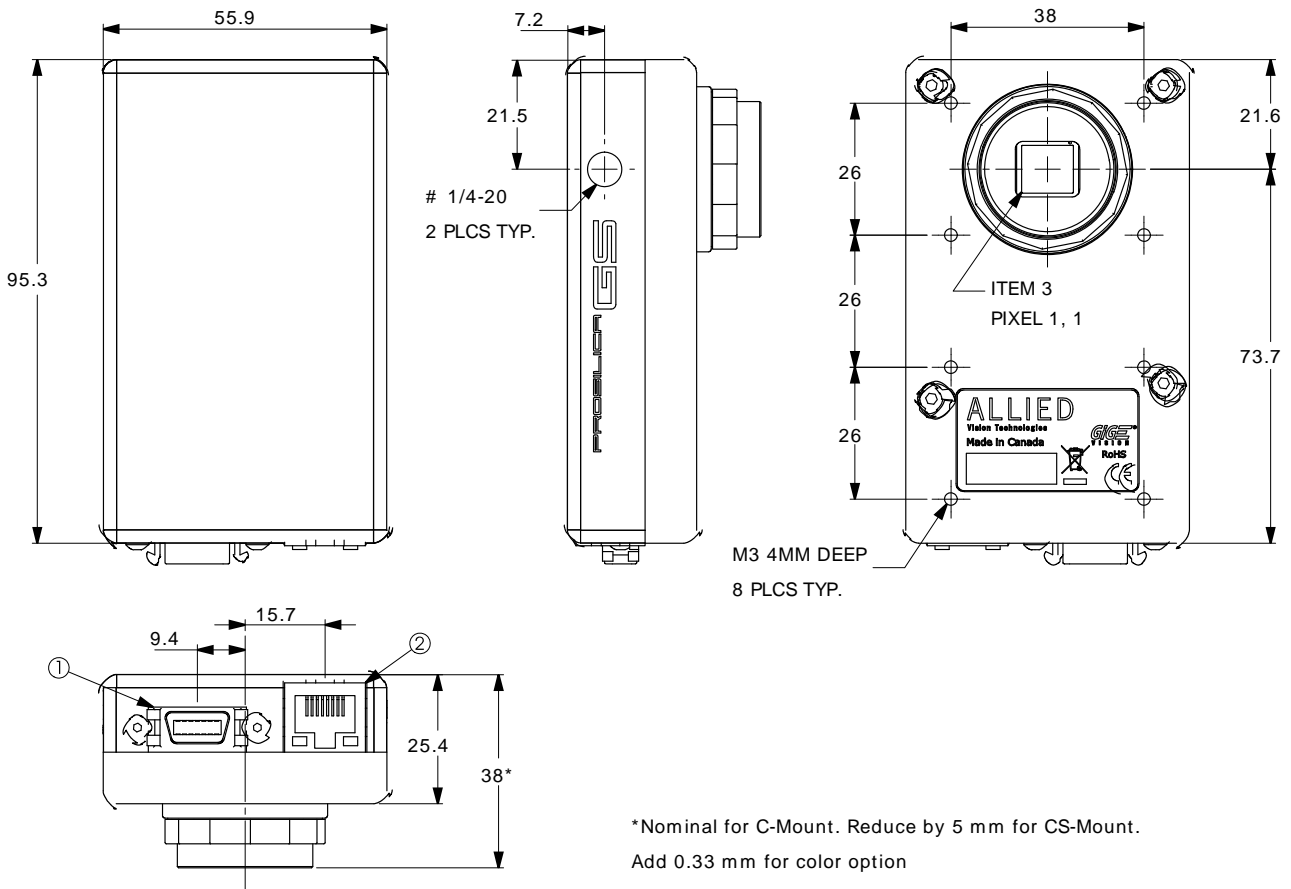
Prosilica GS1380 features include:

- Auto-iris (video type)
- Region of interest (ROI), DSP subregion (selectable ROI for auto features)
- Binning (Sum)
- Auto gain (manual gain control: 0 to 30 dB)



- Auto exposure (manual exposure controls: 10 μ s to 78.5 s)
- Auto white balance
- StreamBytesPerSecond (bandwidth control)
- Stream hold
- Sync out modes: Trigger ready, input, exposing, readout, imaging, strobe, GPO
- Global shutter (digital shutter)
- Recorder and Multiframe acquisition modes
- Event channel
- Image chunk data
- Storable user sets

外形尺寸





应用场景

Prosilica GS1380 is ideal for a wide range of applications including:

- Industrial inspection
- Machine vision
- Microscopy
- Ophthalmology
- Fluorescence
- Aeronautical and aerospace
- Public security
- Surveillance