

# Prosilica GE 4900



- 16 Megapixel camera
- ON Semi KAI-16000 sensor
- Galvanically isolated I/O
- Various lens mount options

## 基本描述

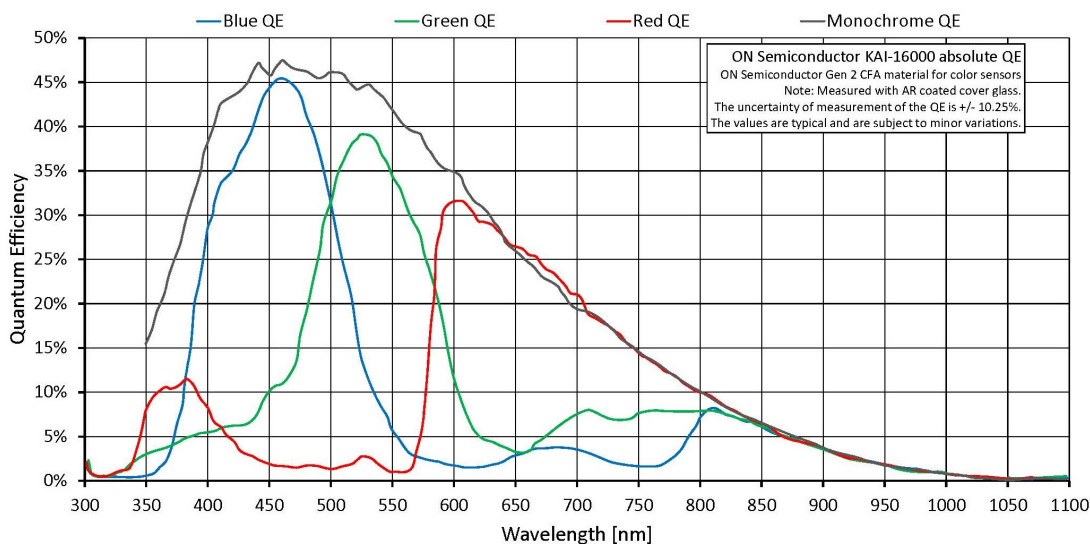
ON Semi KAI-16000 16 Megapixel CCD camera, 3 frames per second

Prosilica GE4900 is a very high resolution CCD camera with Gigabit Ethernet output (GigE Vision). This camera features the high-quality 35 mm optical format ON Semiconductor KAI-16000 CCD image sensor that provides exceptionally high resolution and good sensitivity. At full resolution, this camera has a frame rate of 3 frames per second. With a smaller region of interest higher frame rates are possible. By default monochrome models ship with no optical filter and color models ship with an IRC30 IR cut filter.

## 性能参数

Prosilica GE	4900
接口	IEEE 802.3 1000baseT
分辨率	4872 (H) × 3248 (V)
传感器	ON Semi KAI-16000
传感器类型	CCD Progressive
传感器尺寸	Type 35 mm
像元尺寸	7.4 μm × 7.4 μm
标准镜头接口	F-Mount
最大满帧帧率	3 fps
ADC	12 bit
缓存 (RAM)	32 MByte
	输出
Bit位数	8/12 bit
黑白像素格式	Mono8, Mono12, Mono12Packed

Prosilica GE	4900
原始像素格式	BayerGR8, BayerGR12, BayerGR12Packed
通用输入输出(GPIOs)	
TTL I/Os	1 input, 3 outputs (with galvanic isolation)
RS232	1
工作条件/尺寸	
工作温度	0 °C to +50 °C ambient (without condensation)
电源要求 (DC)	5 to 24 VDC
功耗	6 W at 12 VDC
重量	402 g
尺寸(L × W × H in mm)	110 × 66 × 66 (including connectors)
符合规范	CE: 2014/30/EU (EMC), 2011/65/EU, including amendment 2015/863/EU (RoHS); FCC Class A



## 特性

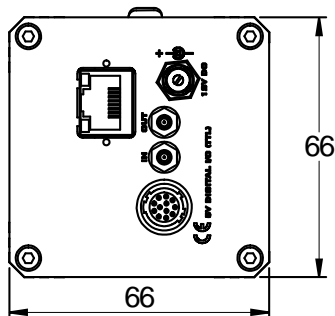
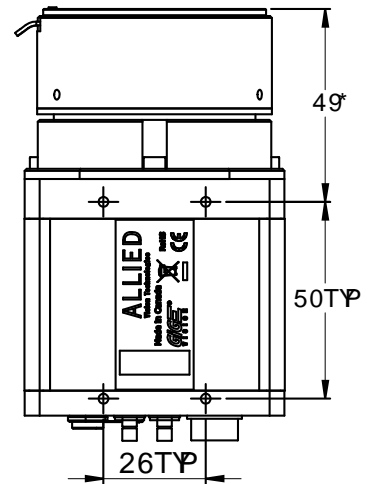
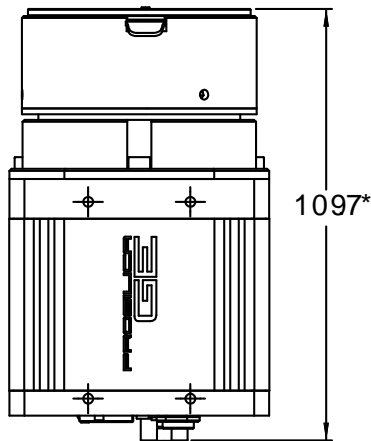
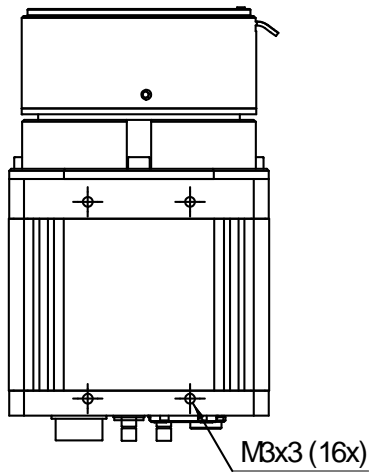
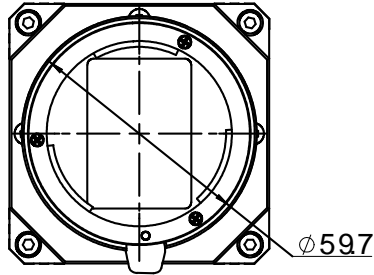
Prosilica GE4900 features include:

- Defect masking for columns
- Region of interest (ROI), DSP subregion (selectable ROI for auto features)
- Binning (Sum)
- Auto gain (manual gain control: 0 to 34 dB)
- Auto exposure (manual exposure controls: 625  $\mu$ s to 68.7 s)
- Auto white balance



- StreamBytesPerSecond (bandwidth control)
- Stream hold
- Sync out modes: Trigger ready, input, exposing, readout, imaging, strobe, GPO
- Global shutter (digital shutter)
- Recorder and Multiframe acquisition modes
- Event channel
- Image chunk data
- Storable user sets

## 外形尺寸



\* Nominal value Add 0.3mm for color cameras.



## 应用场景

Prosilica GE4900 is ideal for a wide range of applications including:

- LCD panel inspection
- Semiconductor wafer inspection
- Solar panel inspection
- High-resolution industrial inspection
- Aerial photography
- 3D metrology
- General machine vision
- Public security
- Surveillance
- Traffic imaging (Intelligent Traffic Systems)
- Embedded systems
- OEM applications