

Prosilica GE 1910



- 32 fps @ full resolution
- ON Semi KAI-02150 sensor
- Galvanically isolated I/O
- Various lens mount options

基本描述

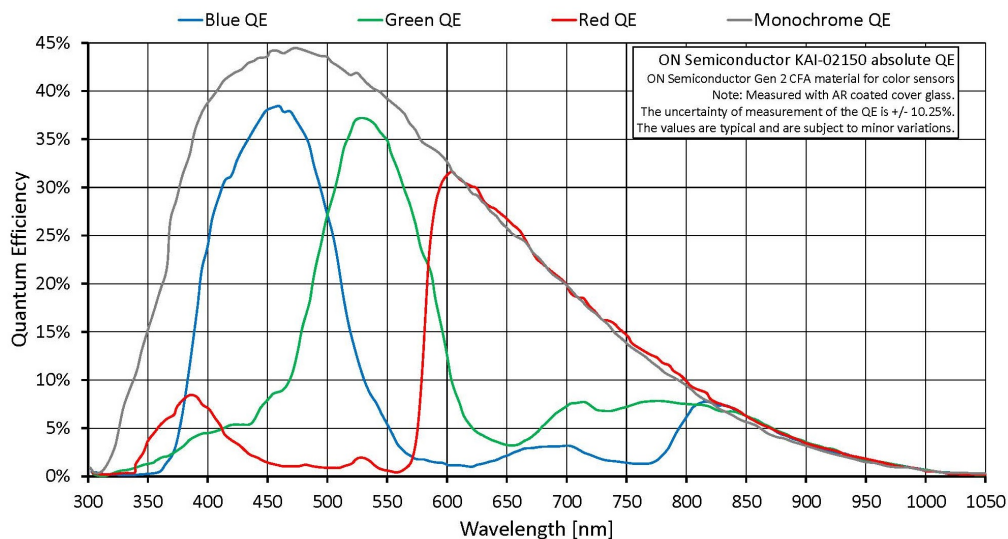
High Definition Resolution CCD camera with GigE Vision interface

Prosilica GE1910 is a CCD camera with a Gigabit Ethernet interface (GigE Vision®). This camera incorporates the ON Semiconductor KAI-02150 CCD sensor for excellent image quality in HD resolution (1080p). This camera runs 32 frames per second at full resolution. With a smaller region of interest, higher frame rates are possible. By default monochrome models ship with no optical filter and color models ship with an IRC30 IR cut filter.

性能参数

Prosilica GE	1910
接口	IEEE 802.3 1000baseT
分辨率	1920 (H) × 1080 (V)
传感器	ON Semi KAI-02150
传感器类型	CCD Progressive
传感器尺寸	Type 2/3
像元尺寸	5.5 μm × 5.5 μm
标准镜头接口	C-Mount
最大满帧帧率	32 fps
ADC	12 bit
缓存 (RAM)	32 MByte
	输出
Bit位数	8/12 bit
黑白像素格式	Mono8, Mono12, Mono12Packed
YUV彩色像素格式	YUV411Packed

Prosilica GE	1910
RGB彩色像素格式	RGB8Packed, BGR8Packed, RGBA8Packed, BGRA8Packed, RGB12Packed
原始像素格式	BayerGR8, BayerGR12, BayerGR12Packed
通用输入输出(GPIOs)	
TTL I/Os	1 input, 3 outputs (with galvanic isolation)
RS232	1
工作条件/尺寸	
工作温度	0 °C to +50 °C ambient (without condensation)
电源要求 (DC)	5 to 24 VDC
功耗	5 W at 12 VDC
重量	178 g
尺寸(L × W × H in mm)	80 × 51 × 39 (including connectors)
符合规范	CE: 2014/30/EU (EMC), 2011/65/EU, including amendment 2015/863/EU (RoHS); FCC Class A



特性

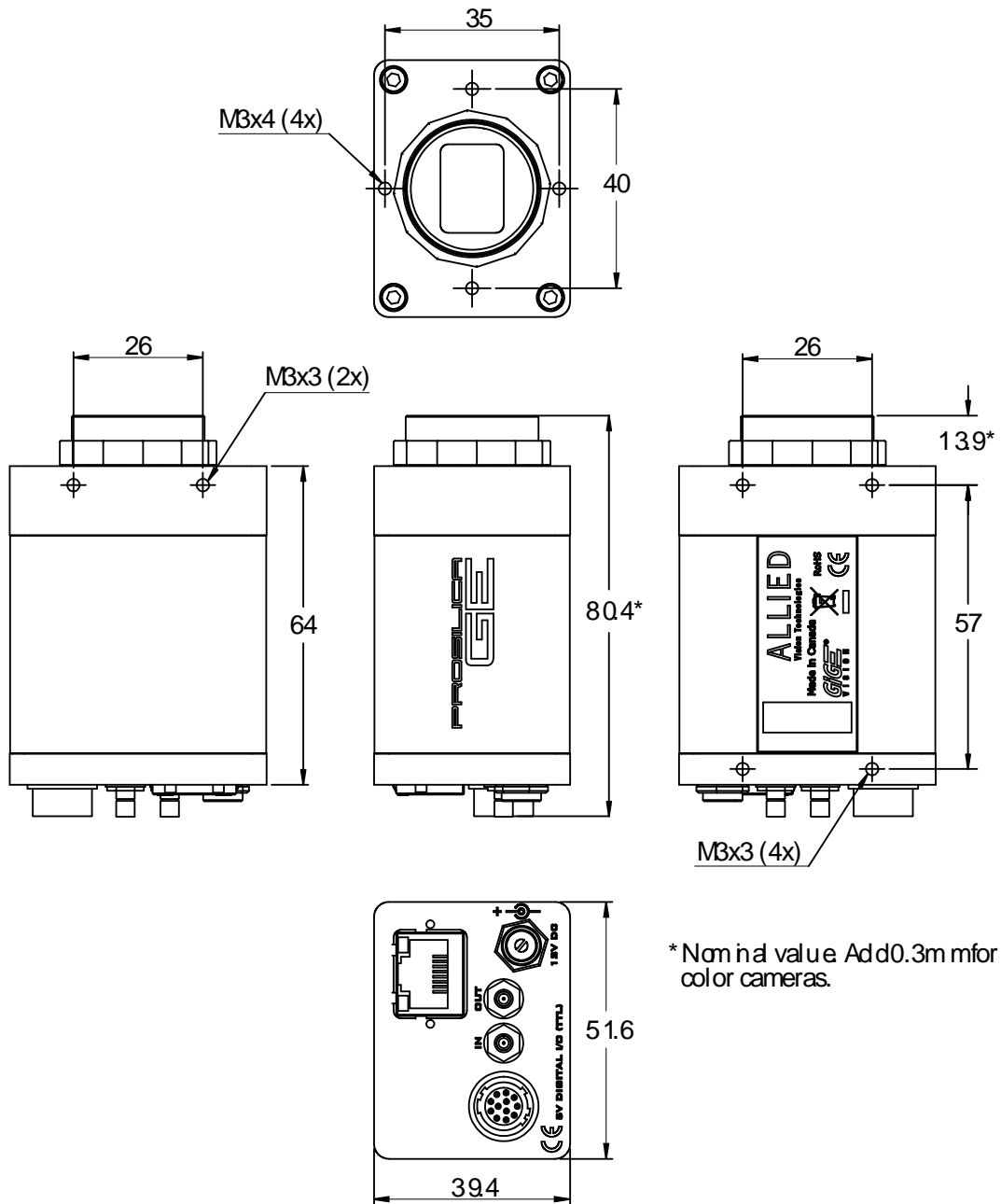
Prosilica GE1910 features include:

- Region of interest (ROI), DSP subregion (selectable ROI for auto features)
- Binning (Sum)
- Auto gain (manual gain control: 0 to 34 dB)
- Auto exposure (manual exposure controls: 10 μ s to 53.7 s)



- Auto white balance
- StreamBytesPerSecond (bandwidth control)
- Stream hold
- Sync out modes: Trigger ready, input, exposing, readout, imaging, strobe, GPO
- Global shutter (digital shutter)
- Recorder and Multiframe acquisition modes
- Event channel
- Chunk data
- Storable user sets

外形尺寸





应用场景

Prosilica GE1910 is ideal for a wide range of applications including:

- Industrial inspection
- Machine vision
- LCD panel inspection
- Medical imaging
- Ophthalmology
- Aeronautical and aerospace
- Public security
- Surveillance
- Traffic imaging
- OEM applications