

Prosilica GE 1900



- 30 fps @ full resolution
- ON Semiconductor KAI-2093 sensor
- Galvanically isolated I/O
- Various lens mount options

基本描述

Prosilica GE1900C Color: Discontinued | Last time buy: February 10, 2016 | Last time repair service: August 10, 2021

Prosilica GE1900 Monochrome: Available

High Resolution CCD camera, GigE Vision interface, 30 frames per second

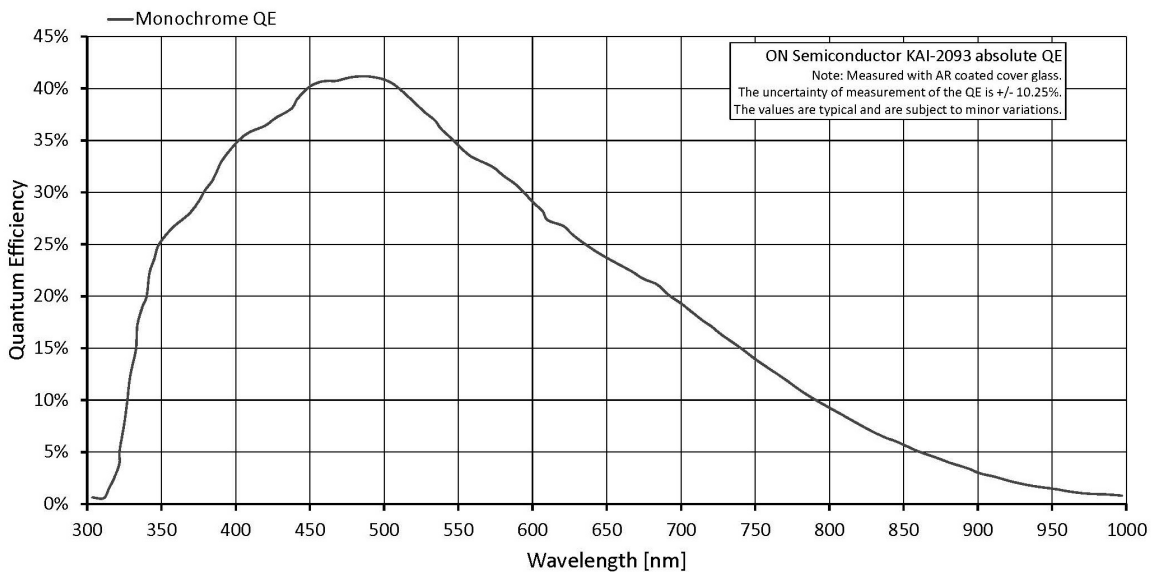
Prosilica GE1900 is a high-resolution CCD camera with Gigabit Ethernet interface (GigE Vision®). This camera incorporates a high-quality ON Semiconductor KAI-2093 CCD sensor providing excellent monochrome image quality. This camera runs 30 frames per second at full resolution and even faster with region of interest readout. By default monochrome models ship with no optical filter.

性能参数

Prosilica GE	1900
接口	IEEE 802.3 1000baseT
分辨率	1920 (H) × 1080 (V)
传感器	ON Semi KAI-2093
传感器类型	CCD Progressive
传感器尺寸	Type 1
像元尺寸	7.4 μm × 7.4 μm
标准镜头接口	C-Mount
最大满帧帧率	30 fps
ADC	12 bit
缓存 (RAM)	32 MByte

输出

Prosilica GE	1900
Bit位数	8/12 bit
黑白像素格式	Mono8, Mono12, Mono12Packed
通用输入输出(GPIOs)	
TTL I/Os	1 input, 3 outputs (with galvanic isolation)
RS232	1
工作条件/尺寸	
工作温度	0 °C to +50 °C ambient (without condensation)
电源要求 (DC)	5 to 24 VDC
功耗	5 W at 12 VDC
重量	169 g
尺寸(L × W × H in mm)	80 × 51 × 39 (including connectors)
符合规范	CE: 2014/30/EU (EMC), 2011/65/EU, including amendment 2015/863/EU (RoHS); FCC Class A



特性

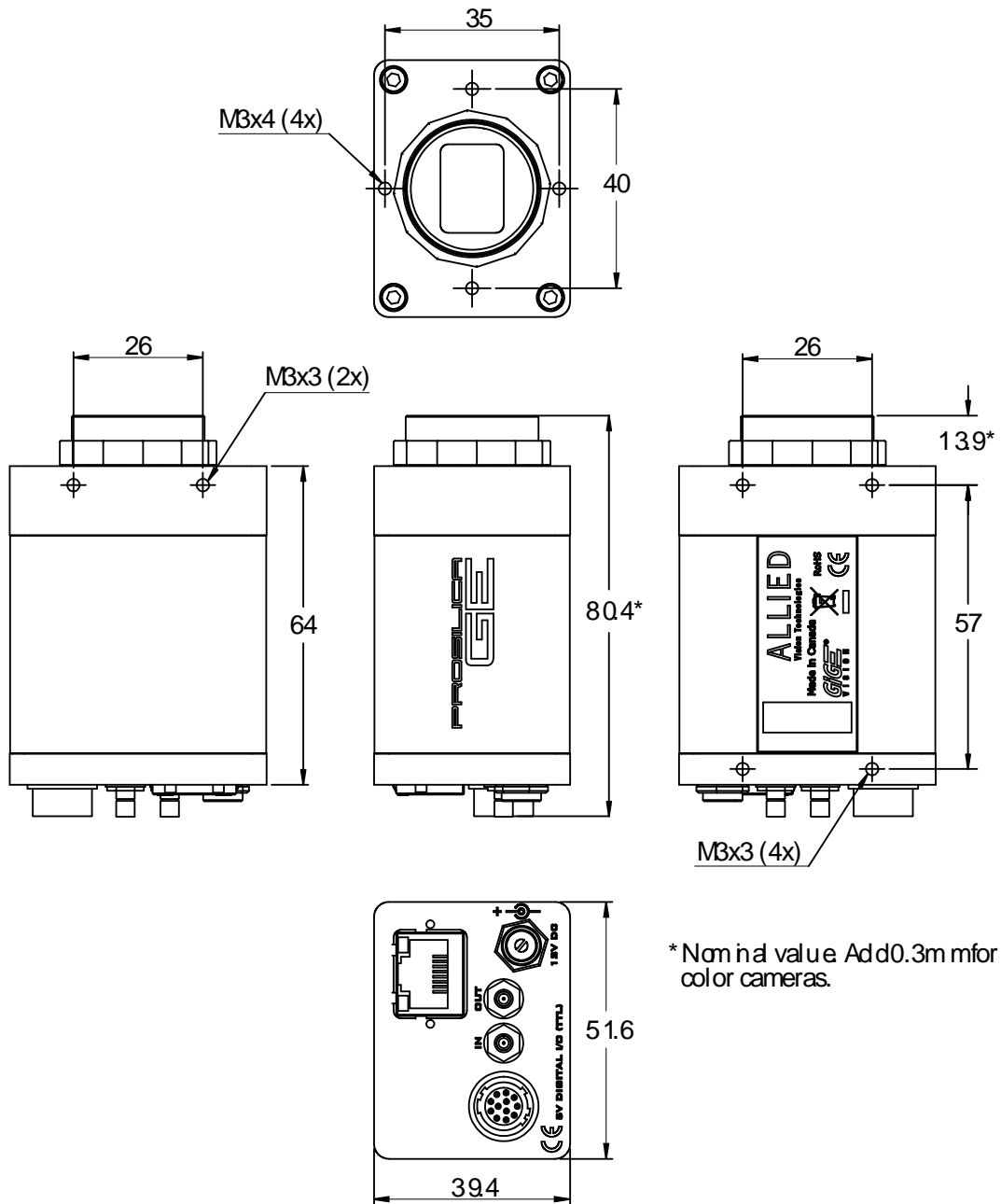
Prosilica GE1900 features include:

- Region of interest (ROI), (selectable ROI for auto features)
- Binning (Sum)
- Auto gain (manual gain control: 0 to 34 dB)
- Auto exposure (manual exposure controls: 50 μ s to 53.7 s)
- StreamBytesPerSecond (bandwidth control)



- Stream hold
- Sync out modes: Trigger ready, input, exposing, readout, imaging, strobe, GPO
- Global shutter (digital shutter)
- Recorder and Multiframe acquisition modes
- Event channel
- Image chunk data
- Storable user sets

外形尺寸





应用场景

Prosilica GE1900 is ideal for a wide range of applications including:

- Industrial inspection
- Machine vision
- LCD panel inspection
- Medical imaging
- Ophthalmology
- Aeronautical and aerospace
- Public security
- Surveillance
- Traffic imaging
- OEM applications