

Prosilica GE 1650



- 32 fps @ full resolution
- ON Semi KAI-2020 sensor
- Galvanically isolated I/O
- Various lens mount options

基本描述

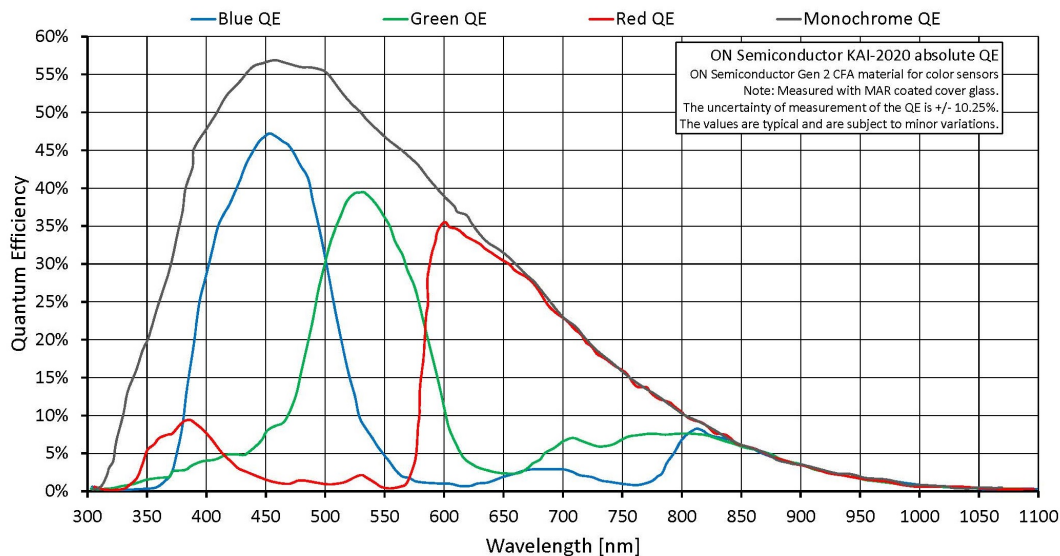
2 Megapixel CCD camera, GigE Vision interface, 32 frames per second

Prosilica GE1650 is a high-resolution CCD camera with Gigabit Ethernet interface (GigE Vision). This camera incorporates a high-quality ON Semiconductor KAI-2020 CCD sensor providing excellent monochrome and color image quality in 4:3 format. At full resolution, this camera has a frame rate of 32 frames per second. With a smaller region of interest higher frame rates are possible. By default monochrome models ship with no optical filter and color models ship with an IRC30 IR cut filter.

性能参数

Prosilica GE	1650
接口	IEEE 802.3 1000baseT
分辨率	1600 (H) × 1200 (V)
传感器	ON Semi KAI-2020
传感器类型	CCD Progressive
传感器尺寸	Type 1
像元尺寸	7.4 μm × 7.4 μm
标准镜头接口	C-Mount
最大满帧帧率	32 fps
ADC	12 bit
缓存 (RAM)	32 MByte
	输出
Bit位数	8/12 bit
黑白像素格式	Mono8, Mono12, Mono12Packed

Prosilica GE	1650
YUV彩色像素格式	YUV411Packed
RGB彩色像素格式	RGB8Packed, BGR8Packed, RGBA8Packed, BGRA8Packed, RGB12Packed
原始像素格式	BayerGR8, BayerGR12, BayerGR12Packed
通用输入输出(GPIOs)	
TTL I/Os	1 input, 3 outputs (with galvanic isolation)
RS232	1
工作条件/尺寸	
工作温度	0 °C to +50 °C ambient (without condensation)
电源要求 (DC)	5 to 24 VDC
功耗	5 W at 12 VDC
重量	169 g
尺寸(L × W × H in mm)	80 × 51 × 39 (including connectors)
符合规范	CE: 2014/30/EU (EMC), 2011/65/EU, including amendment 2015/863/EU (RoHS); FCC Class A



特性

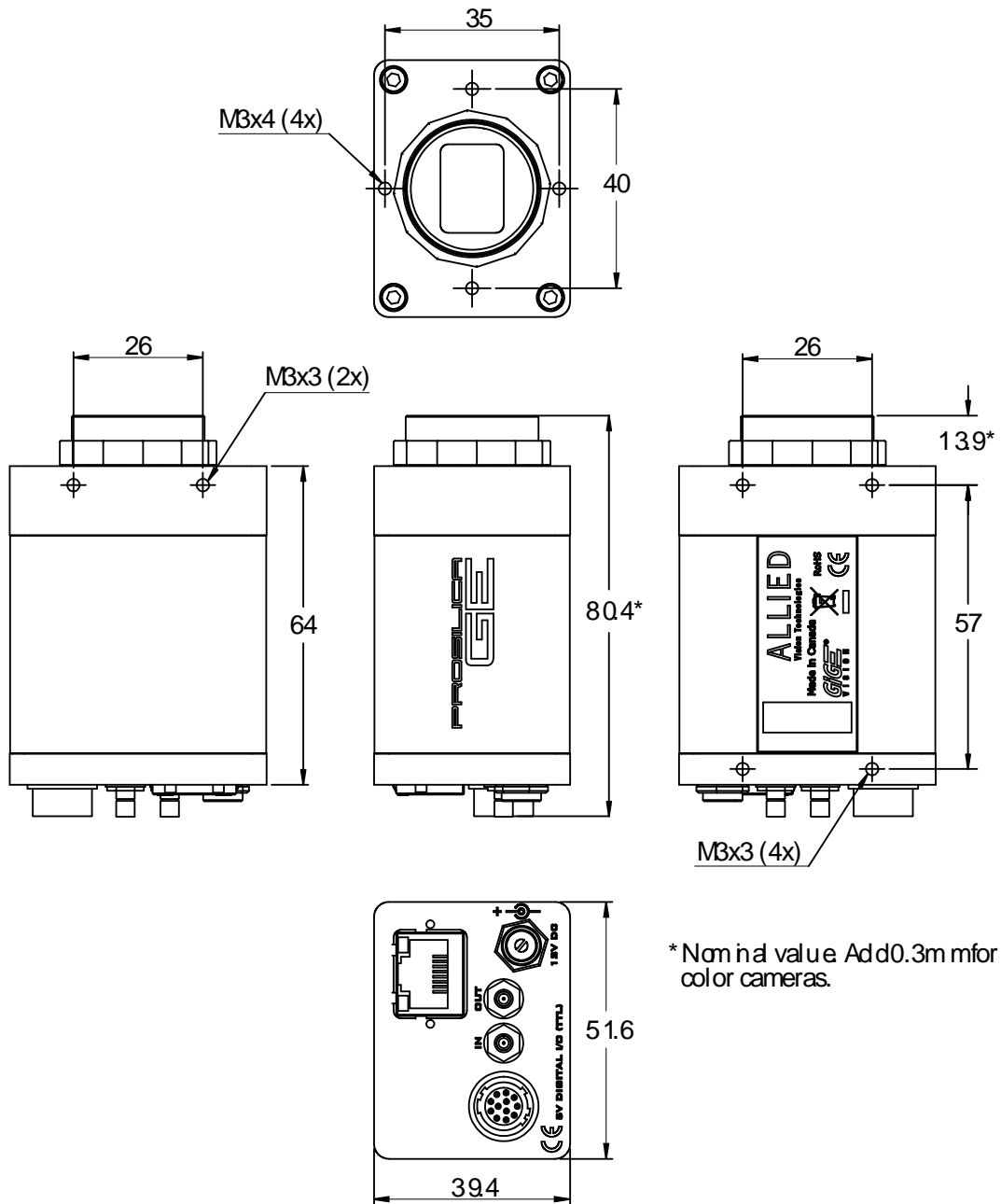
Prosilica GE1650 features include:

- Region of interest (ROI), DSP subregion (selectable ROI for auto features)
- Binning (Sum)
- Auto gain (manual gain control: 0 to 34 dB)



- Auto exposure (manual exposure controls: 50 μ s to 53.7 s)
- Auto white balance
- StreamBytesPerSecond (bandwidth control)
- Stream hold
- Sync out modes: Trigger ready, input, exposing, readout, imaging, strobe, GPO
- Global shutter (digital shutter)
- Recorder and Multiframe acquisition modes
- Event channel
- Image chunk data
- Storable user sets

外形尺寸





应用场景

Prosilica GE1650 is ideal for a wide range of applications including:

- Industrial inspection
- Machine vision
- LCD panel inspection
- Medical imaging
- Ophthalmology
- Aeronautical and aerospace
- Public security
- Surveillance
- Traffic imaging
- OEM applications