

Prosilica GC 655



- Sony ICX414 sensor
- 90 fps @ full resolution
- Rugged housing
- Video-type auto iris

基本描述

Very Small VGA CCD camera, 90 frames per second

Prosilica GC655 is a fast, VGA resolution, high-performance machine vision camera with a GigE Vision compliant Gigabit Ethernet interface. The 1/2" Sony ICX414 CCD sensor with HAD technology has excellent image quality and sensitivity. At full resolution, this camera has a frame rate of 90 frames per second. With a smaller region of interest higher frame rates are possible. By default monochrome models ship with no optical filter and color models ship with an IRC30 IR cut filter.

Options:

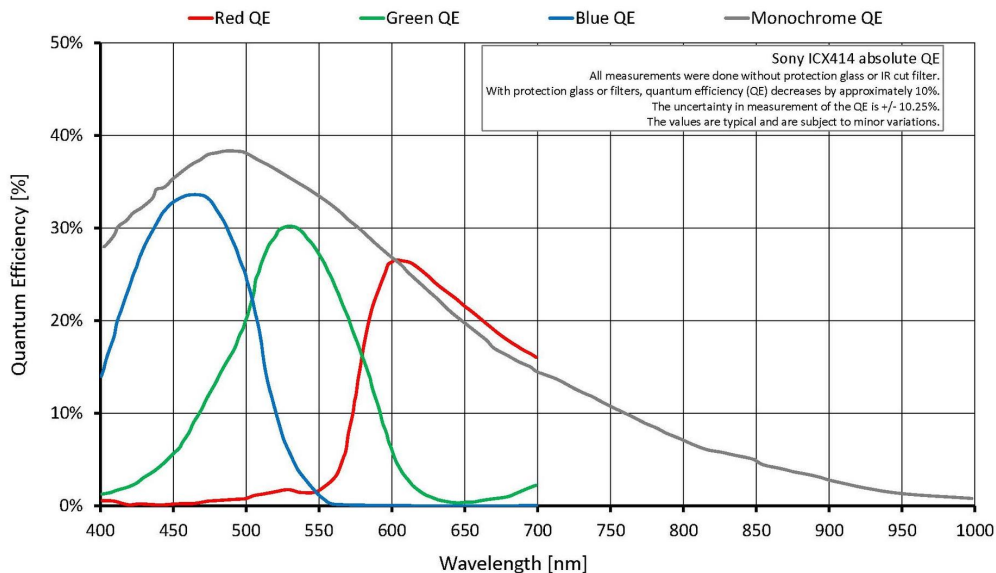
- CS-Mount
- Optical filters (IR cut filter/Protection glass)

See the [Modular Concept](#) for lens mount and optical filter options.

性能参数

Prosilica GC	655
接口	IEEE 802.3 1000baseT
分辨率	659 (H) × 493 (V)
传感器	Sony ICX414
传感器类型	CCD Progressive
传感器尺寸	Type 1/2
像元尺寸	9.9 μm × 9.9 μm
标准镜头接口	C-Mount
最大满帧帧率	90 fps

Prosilica GC	655
ADC	12 bit
缓存 (RAM)	16 MByte
输出	
Bit位数	8/12 bit
黑白像素格式	Mono8, Mono12, Mono12Packed
RGB彩色像素格式	RGB8Packed, BGR8Packed
原始像素格式	BayerRG8, BayerRG12, BayerGR12Packed
通用输入输出(GPIOs)	
TTL I/Os	1 input, 1 output
光耦 I/Os	1 input, 1 output
RS232	1
工作条件/尺寸	
工作温度	0 °C to +50 °C ambient (without condensation)
电源要求 (DC)	5 to 25 VDC
功耗	3 W at 12 VDC
重量	100 g
尺寸(L × W × H in mm)	59 × 46 × 33 (including connectors)
符合规范	CE: 2014/30/EU (EMC), 2011/65/EU, including amendment 2015/863/EU (RoHS); FCC Class A; CAN ICES-003





特性

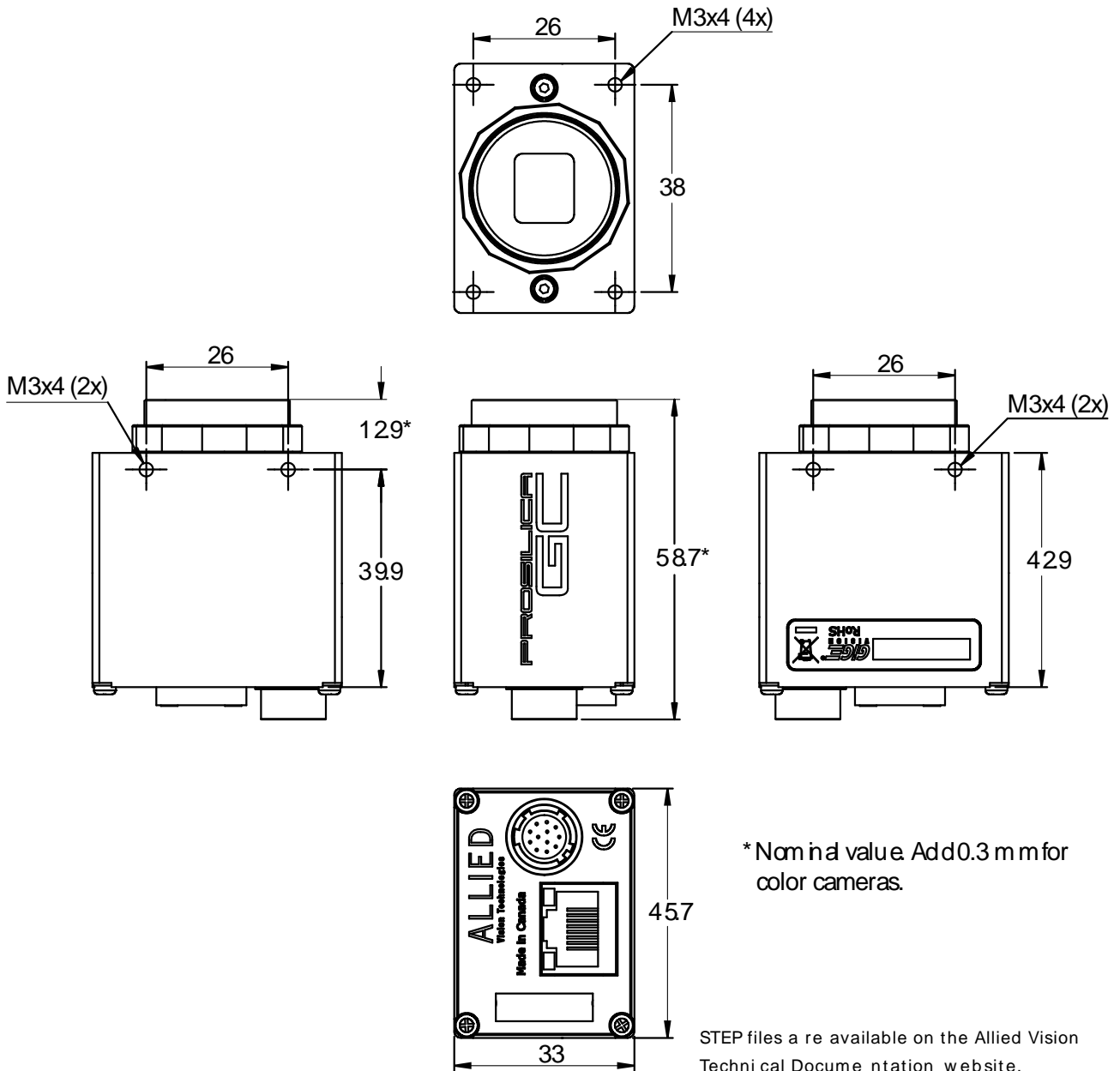
Image optimization features:

- Auto gain (manual gain control: 0 to 22 dB)
- Auto exposure (manual exposure control: 8 μ s to 116.8 s @ 1 μ s increments)
- Auto white balance
- Binning (horizontal and vertical) (sum)
- Region of interest (ROI), DSP subregion (selectable ROI for auto features)

Camera control features:

- Auto-iris (video type)
- Event channel
- Global shutter (digital shutter)
- IEEE 1588 Precision Time Protocol
- Image chunk data
- Recorder and Multiframe acquisition modes
- RS232
- Five storable user sets
- StreamBytesPerSecond (bandwidth control)
- Stream hold
- Sync out modes: Trigger ready, input, exposing, readout, imaging, strobe, GPO

外形尺寸





应用场景

Prosilica GC655 is ideal for a wide range of applications including:

- Machine vision
- Industrial inspection
- Public security
- Traffic monitoring
- Robotics