

# Prosilica GC 2450



- Sony ICX625 CCD sensor
- 15 fps @ full resolution
- Rugged housing
- Video-type auto iris

## 基本描述

### GigE Vision, Sony ICX625 CCD sensor, auto-iris, 15 fps

Prosilica GC2450 is a 5.0 Megapixel camera with a GigE Vision compliant Gigabit Ethernet interface and Hirose port. Prosilica GC2450 is offered in both monochrome and color models. This camera incorporates the high quality Type 2/3 (11.016 mm diagonal) Sony ICX625 CCD sensor with Super HAD CCD technology that provides superior image quality, excellent sensitivity, and low noise. At full resolution, this camera has a frame rate of 15 frames per second. With a smaller region of interest higher frame rates are possible. By default monochrome models ship with no optical filter and color models ship with an IRC30 IR cut filter.

### Benefits and features:

- Monochrome (GC2450) and color (GC2450C) models
- Screw mount RJ45 Ethernet connector for industrial environments
- Supports cable lengths up to 100 meters (CAT-5e or CAT-6)
- Popular C-Mount lens mount
- Standard M3 mounting holes and optional tripod adapter
- Support for popular third party image-processing libraries including Cognex VisionPro, MathWorks MATLAB, and National Instruments LabVIEW

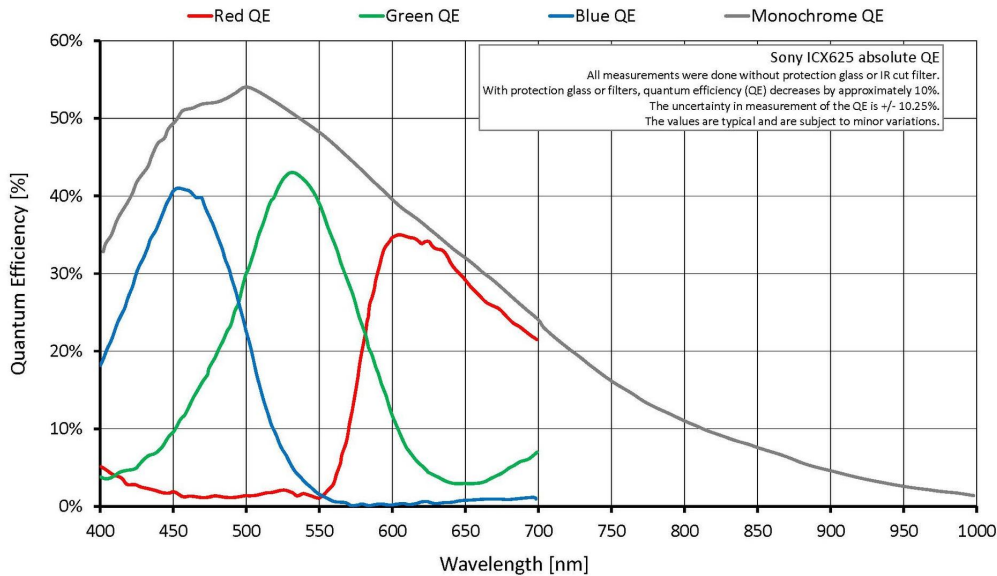
### Options:

- CS-Mount
- Optical filters (IR cut filter/Protection glass)

See the [Modular Concept](#) for lens mount and optical filter options.

## 性能参数

Prosilica GC	2450
接口	IEEE 802.3 1000baseT
分辨率	2448 (H) × 2050 (V)
传感器	Sony ICX625
传感器类型	CCD Progressive
传感器尺寸	Type 2/3
像元尺寸	3.45 μm × 3.45 μm
标准镜头接口	C-Mount
最大满帧帧率	15 fps
ADC	12 bit
缓存 (RAM)	64 MByte
非易失性内存 (Flash)	1024 KByte (for selected models only)
输出	
Bit位数	8/12 bit
黑白像素格式	Mono8, Mono12, Mono12Packed
RGB彩色像素格式	RGB8Packed, BGR8Packed
原始像素格式	BayerRG8, BayerRG12, BayerGR12Packed
通用输入输出(GPIOs)	
TTL I/Os	1 input, 1 output
光耦 I/Os	1 input, 1 output
RS232	1
工作条件/尺寸	
工作温度	0 °C to +40 °C ambient (without condensation)
电源要求 (DC)	5 to 25 VDC
功耗	3.8 W at 12 VDC
重量	106 g
尺寸(L × W × H in mm)	59 × 46 × 33 (including connectors)
符合规范	CE: 2014/30/EU (EMC), 2011/65/EU, including amendment 2015/863/EU (RoHS); FCC Class A; CAN ICES-003



## 特性

### Image optimization features:

- Auto gain (manual gain control: 0 to 24 dB, 1 dB increments)
- Auto exposure (manual exposure control: 10  $\mu$ s to 48.0 s; 1  $\mu$ s increments)
- Auto white balance (GC2450C only)
- Binning (horizontal and vertical) (sum)
- Black level (Offset)
- Gamma correction
- Hue, saturation, color transformation (GC2450C only)
- Three look-up tables (LUTs)
- Region of interest (ROI), DSP subregion (selectable ROI for auto features)

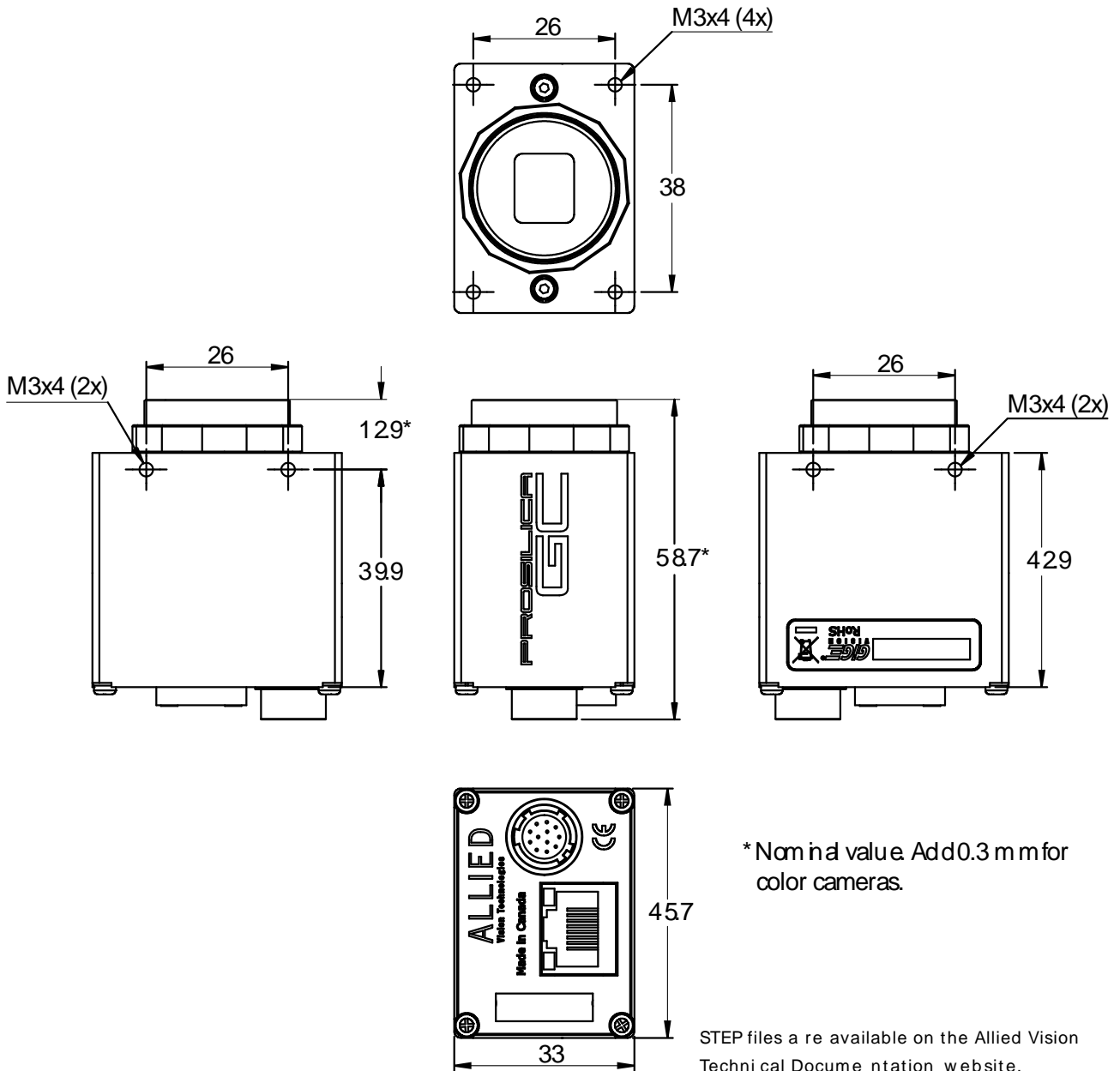
### Camera control features:

- Auto-iris (video type)
- Event channel
- Global shutter (digital shutter)
- IEEE 1588 Precision Time Protocol
- Image chunk data
- Recorder and Multiframe acquisition modes
- RS232



- Three storable user sets
- StreamBytesPerSecond (bandwidth control)
- StreamHoldCapacity (Up to 12 frames at full resolution)
- Sync out modes: Trigger ready, input, exposing, readout, imaging, strobe, GPO
- Temperature monitoring (mainboard only)
- Non-volatile memory 1024 KByte (for selected models only)

## 外形尺寸





## 应用场景

Prosilica GC2450 is ideal for a wide range of applications including:

- High-resolution industrial inspection
- LCD panel inspection
- Machine vision
- 3D metrology
- Public security
- Surveillance
- Traffic imaging/Intelligent Traffic Systems (ITS)
- Embedded systems
- OEM applications