



# Marlin

## F-201



- IEEE 1394a camera
- Modular design
- Robust housing
- Machine vision camera

## 基本描述

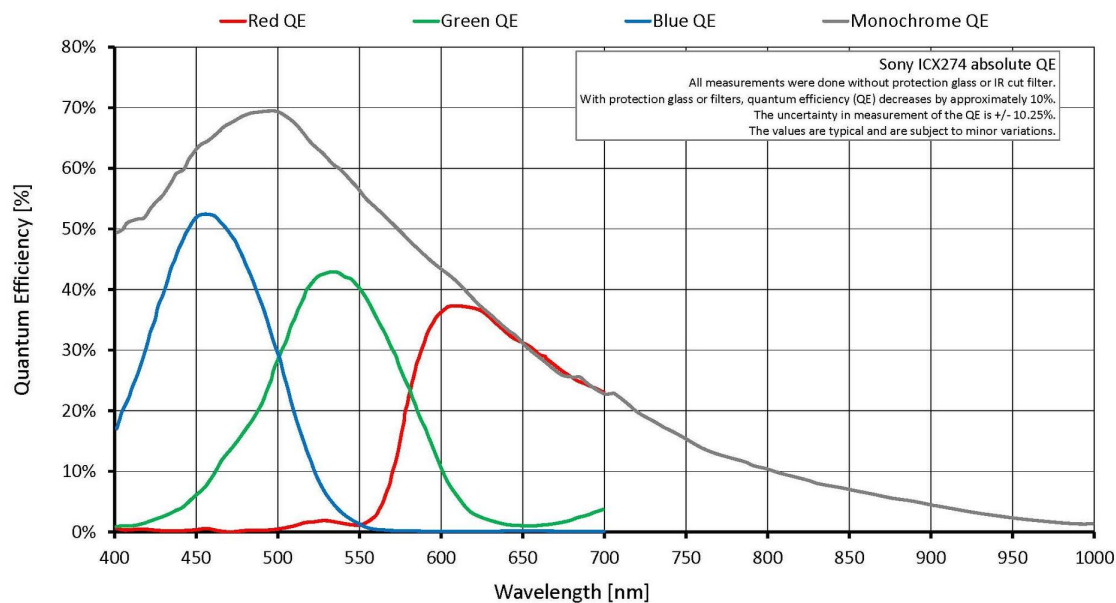
Compact, flexible, modular IEEE 1394a 2 Megapixel C-Mount camera

The Marlin F-201B/F-201C is equipped with a highly sensitive Sony ICX274 CCD sensor. It runs at 12.5 frames per second at full resolution and Format\_7. Higher frame rates can be reached by using a smaller area of interest (AOI) and binning.

## 性能参数

Marlin	F-201
接口	IEEE 1394a - 400 Mb/s, 1 port
分辨率	1628 (H) × 1236 (V)
传感器	Sony ICX274
传感器类型	CCD Progressive
传感器尺寸	Type 1/1.8
像元尺寸	4.4 $\mu\text{m}$ × 4.4 $\mu\text{m}$
标准镜头接口	C-Mount
最大满帧帧率	12 fps
ADC	12 bit
缓存 (RAM)	8 MByte
	输出
Bit位数	8-10 bit
黑白像素格式	Mono8, Mono16
RGB彩色像素格式	RGB8
原始像素格式	Raw8
	通用输入输出(GPIOs)
光耦 I/Os	2 inputs, 2 outputs

Marlin	F-201
RS232	1
工作条件/尺寸	
工作温度	+5 °C to +45 °C
电源要求 (DC)	8 V to 36 V
功耗	<3 W (@ 12 VDC)
重量	<120 g
尺寸(L × W × H in mm)	72 × 44x 29 (including connectors)
符合规范	CE: 2014/30/EU (EMC), 2011/65/EU (RoHS); FCC Class B



## 特性

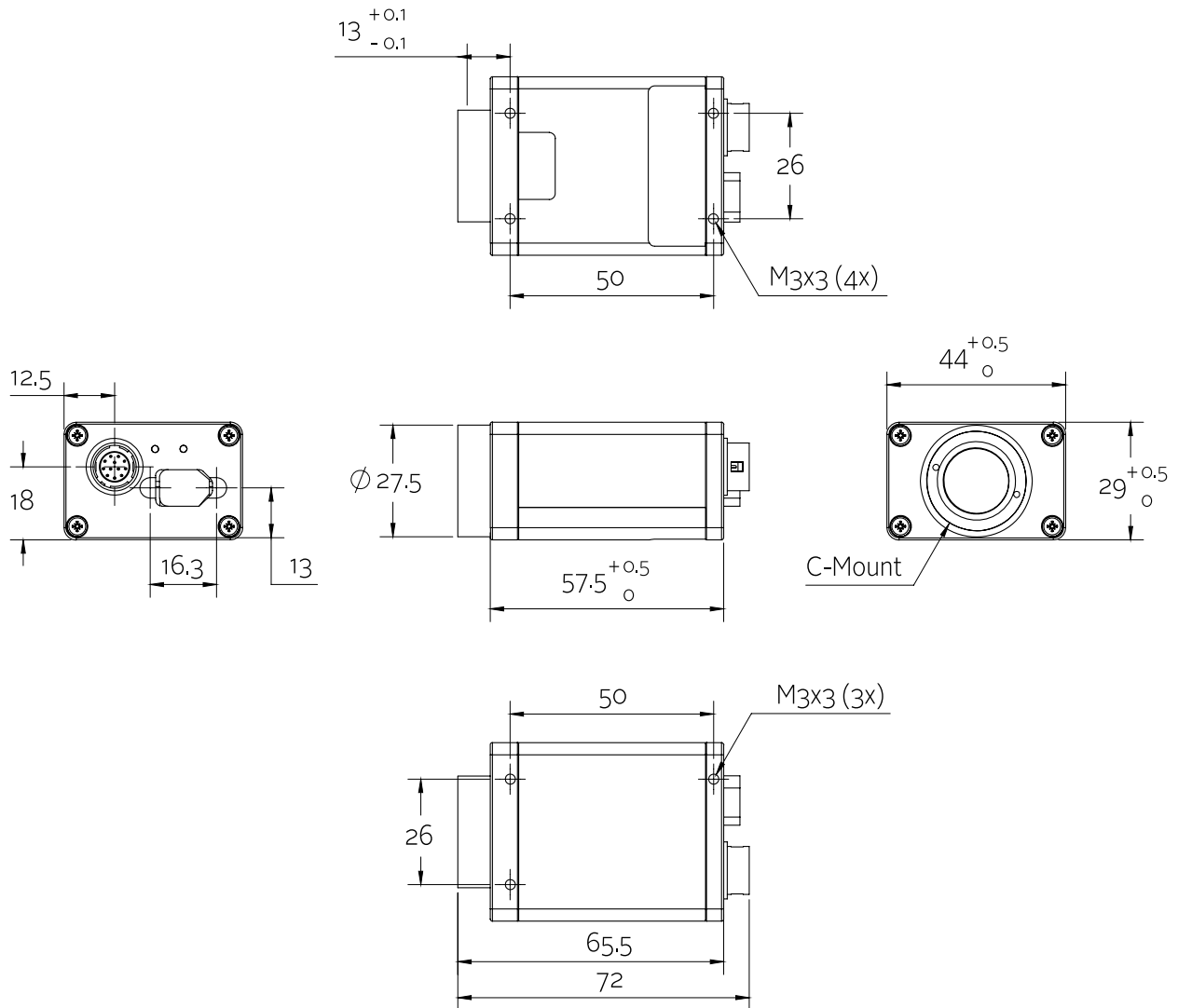
Marlin cameras are equipped with many useful real-time image pre-processing functions. They are performed by the FPGA inside the camera – with no additional CPU load on the host, so that an inexpensive system is sufficient.

- Programmable look-up table (LUT), white balance, hue, saturation
- Debayering
- Gain
  - Auto/manual
  - Manual gain control: 0 to 24 dB
- Exposure
  - Auto/manual



- Exposure time: 59  $\mu$ s to 67 s
- Color correction
- Shading correction
- Sub-sampling, 2x binning (b/w)
- Area of interest (AOI) with speed increase
- Sequence mode - changes the image settings on the fly
- Image mirror
- Deferred image transport
- SIS (secure image signature, time stamp for trigger, frame count)
- Storable user settings

## 外形尺寸





## 应用场景

With its modular and flexible design and the real-time pre-processing functions, this Marlin camera fits for many applications:

- Machine vision
- Quality control
- Industrial inspection
- Intelligent traffic systems