

Manta

G-282



- Versatile 2.8 Megapixel camera
- 30.4 fps at full resolution
- PoE optional
- Video-iris lens control

基本描述

GigE camera with Sony ICX687 CCD sensor

Manta G-282 is a machine vision camera that incorporates the high quality Type 1/1.8 (8.918 mm diagonal) Sony ICX687 CCD sensor with EXview HAD II technology. This sensor has the same resolution as the ICX674 at a more cost-effective price level. At full resolution, this camera runs 30.4 frames per second. With a smaller region of interest, higher frame rates are possible. The Manta is one of Allied Vision's versatile GigE Vision cameras with a wide range of features. Particular highlights are the three look-up tables, sophisticated color correction capabilities, a robust metal housing, and many modular options. By default monochrome models ship with protection glass B 270 (ASG) and color models ship with an IRC Hoya C-5000 IR cut filter.

Benefits and features:

- Monochrome (G-282B) and color (G-282C) models
- GigE Vision interface with Power over Ethernet option
- Screw mount RJ45 Ethernet connector for secure operation in industrial environments
- Supports cable lengths up to 100 meters (CAT-5e or CAT-6)
- Comprehensive I/O functionality for simplified system integration
- Popular C-Mount lens mount
- Easy camera mounting via standard M3 threads on top and bottom of housing or optional tripod adapter
- Easy software integration with Allied Vision's [Vimba SDK](#) and compatibility to the most popular [third party image-processing libraries](#).

Options:

- Available with Power over Ethernet (PoE) compliant interface
- Available with CS-Mount or M12-Mount adapter
- Available with Protection glass B 270 (ASG), IRC type Jenofilt 217 (IR cut filter), IRC Hoya C-5000 (IR cut filter), IRP RG715 (IR pass filter), IRP RG830 (IR pass filter)
- Available with white medical design

See the [Modular Concept](#) for lens mount, optical filters, case design, and other modular options. See the [Customization and OEM Solutions](#) page for additional options.

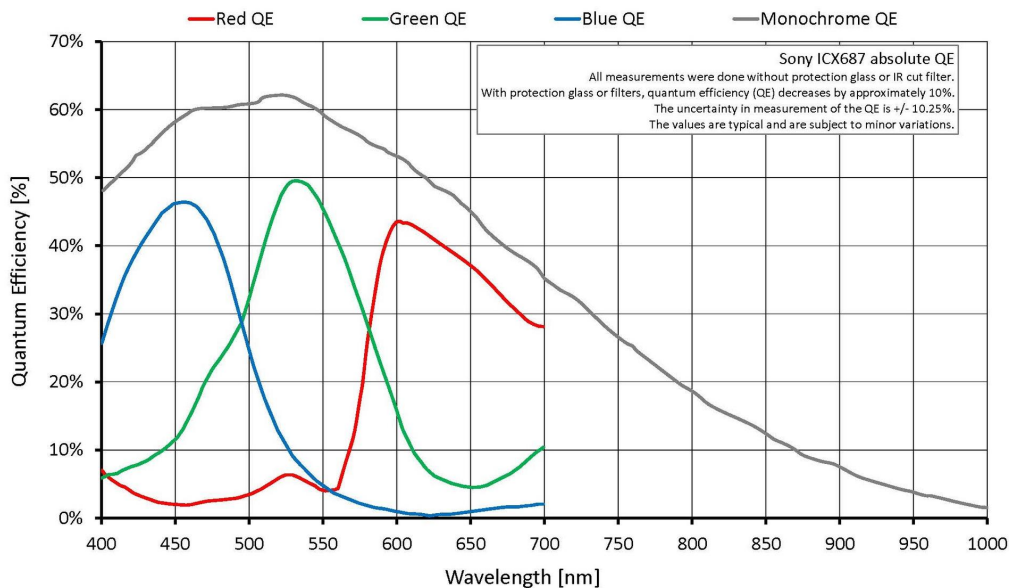
性能参数

Manta	G-282
接口	IEEE 802.3 1000BASE-T, IEEE 802.3af (PoE) optional
分辨率	1936 (H) × 1458 (V)
传感器	Sony ICX687
传感器类型	CCD Progressive
传感器尺寸	Type 1/1.8
像元尺寸	3.69 μm × 3.69 μm
标准镜头接口	C-Mount
最大满帧帧率	30.4 fps
ADC	12 bit
缓存 (RAM)	128 MByte
非易失性内存 (Flash)	1024 KByte (for selected models only)
	输出
Bit位数	8-12 bit
黑白像素格式	Mono8, Mono12Packed, Mono12
YUV彩色像素格式	YUV411Packed, YUV422Packed, YUV444Packed
RGB彩色像素格式	RGB8Packed, BGR8Packed
原始像素格式	BayerRG8, BayerRG12Packed, BayerRG12
	通用输入输出(GPIOs)
光耦 I/Os	2 inputs, 2 outputs
RS232	1
	工作条件/尺寸
工作温度	+5 °C to +45 °C ambient (without condensation)
电源要求 (DC)	8 to 30 VDC; PoE
功耗	3.5 W at 12 VDC; 4.1 W PoE
重量	190 g; 200 g (PoE)
尺寸(L × W × H in mm)	86.4 × 44 × 29 (incl. connectors)

Manta
符合规范

G-282

CE: 2014/30/EU (EMC), 2011/65/EU, including amendment 2015/863/EU (RoHS); FCC Class B; CAN ICES-003



特性

Image optimization features:

- Auto gain (manual gain control: 0 to 32 dB; 1 dB increments)
- Auto exposure (41 μ s to 38 s; 1 μ s increments)
- Auto white balance (G-282C only)
- Binning
- Black level (offset)
- Color correction, hue, saturation (G-282C only)
- Decimation
- Gamma correction
- Three look-up tables (LUTs)
- Region of interest (ROI), separate ROI for auto features

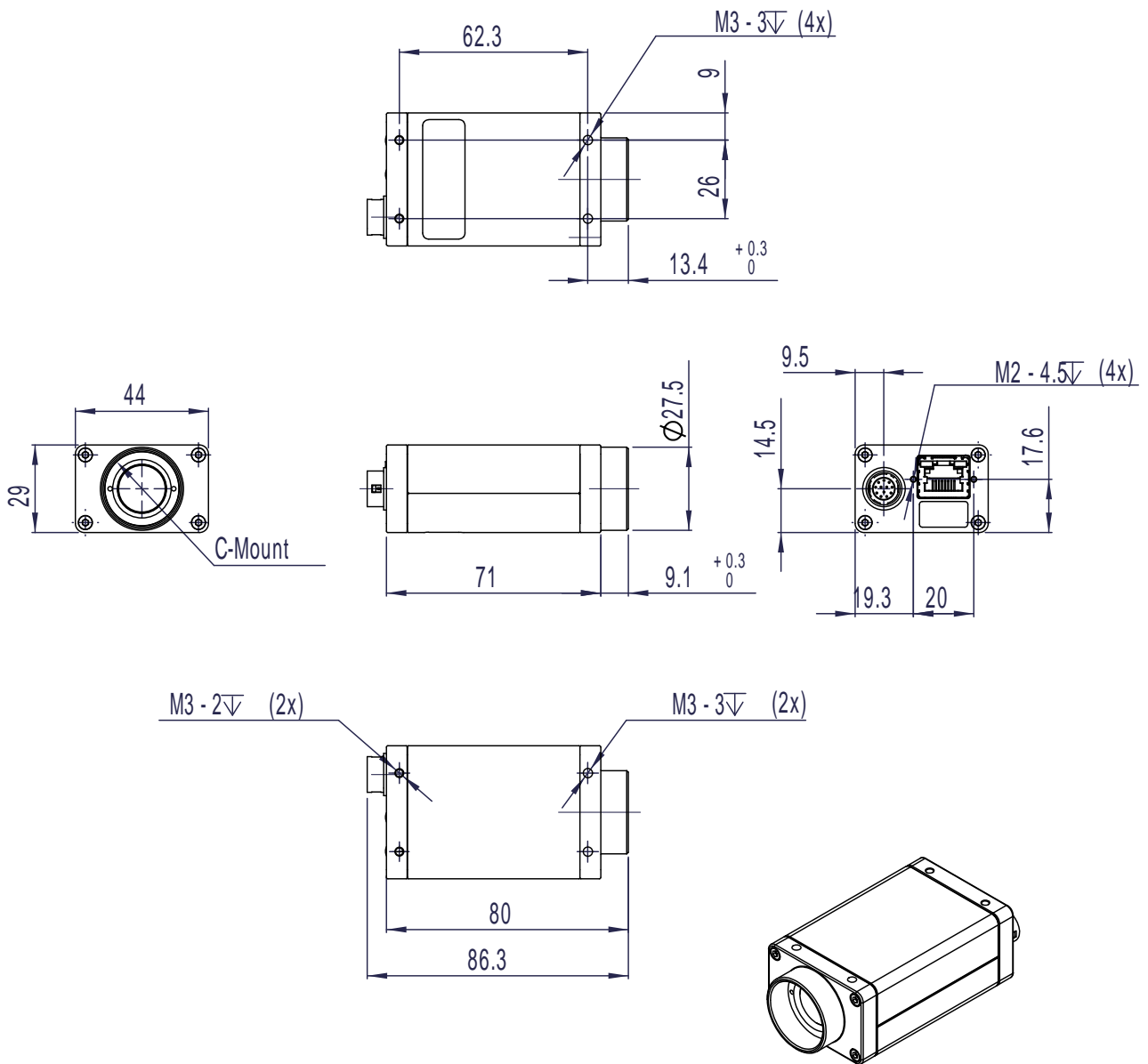
Camera control features:

- Auto-iris (video type)
- Event channel



- Image chunk data
- IEEE 1588 Precision Time Protocol
- Storable user sets
- StreamBytesPerSecond (easy bandwidth control)
- Stream hold
- Sync out modes: Trigger ready, input, exposing, readout, imaging, strobe, GPO
- Tap mode switchable in Vimba Viewer 2.0 or later (two-tap, one-tap)
- Temperature monitoring (main board)
- Trigger over Ethernet (ToE) Action Commands
- Non-volatile memory 1024 KByte (for selected models only)

外形尺寸





应用场景

Manta G-282 is suitable for a wide range of applications including:

- Multimedia and entertainment
- Machine vision
- Security and surveillance
- Metrology and inspection systems
- Industrial image processing