



## Mako G G-419B NIR

- Ultra-compact design
- Affordable
- Power over Ethernet
- CMOSIS/ams CMV4000 NIR enhanced sensor

### 基本描述

#### CMOSIS/ams CMV4000 sensor, NIR optimized, global shutter

Mako G-419B NIR is a 4.2 megapixel GigE machine vision camera that incorporates the high quality Type 1 (16.0 mm diagonal) CMOSIS/ams CMV4000 CMOS NIR enhanced sensor. At full resolution, this camera runs 26.3 frames per second. With a smaller region of interest, higher frame rates are possible.

Mako G cameras have an ultra-compact form factor and the same mounting positions as many analog cameras. All models include Power over Ethernet (PoE), three opto-isolated outputs, and a 64 MB image buffer. The image quality profits from the precisely aligned sensor. By default NIR models ship with no optical filter.

#### Benefits and features:

- GigE Vision interface with Power over Ethernet
- Screw mount RJ45 Ethernet connector for secure operation in industrial environments
- Supports cable lengths up to 100 meters (CAT-5e or CAT-6)
- Comprehensive I/O functionality for simplified system integration
- Popular C-Mount lens mount
- Easy camera mounting via standard M3 threads on top and bottom of housing or optional tripod adapter
- Easy software integration with Allied Vision's [Vimba SDK](#) and compatibility to the most popular [third party image-processing libraries](#).

## Options:

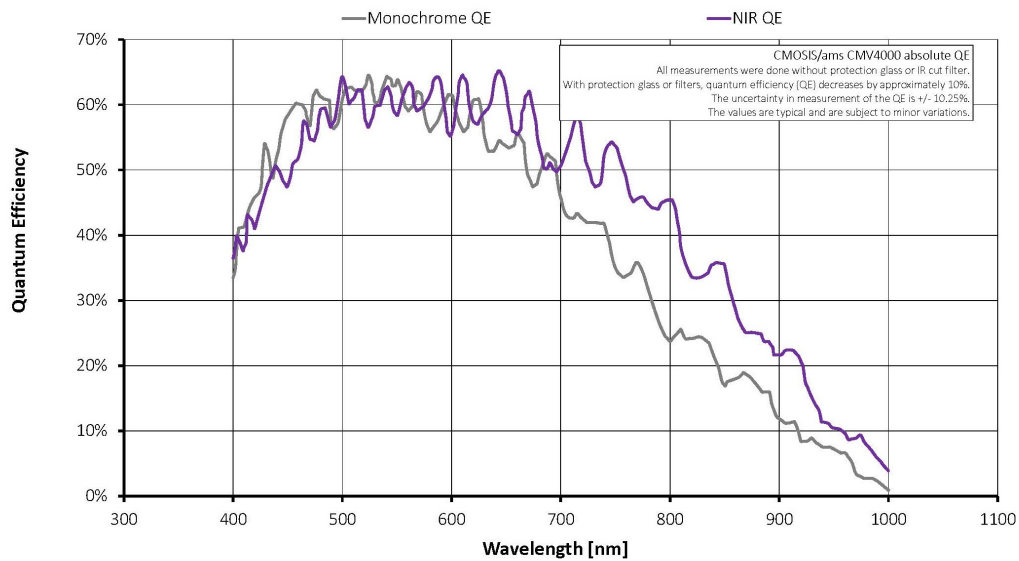
- Available with CS-Mount or M12-Mount adapter
- Available with Protection glass B 270 (ASG), IRC type Jenofilt 217 (IR cut filter), IRC Hoya C-5000 (IR cut filter), IRP RG715 (IR pass filter), IRP RG830 (IR pass filter)

See the [Modular Concept](#) for lens mount and optical filter options.

See the [Customization and OEM Solutions](#) webpage for additional options.

## 性能参数

Mako G	G-419B NIR
接口	IEEE 802.3 1000BASE-T, IEEE 802.3af (PoE)
分辨率	2048 (H) × 2048 (V)
传感器	CMOSIS/ams CMV4000 NIR
传感器类型	CMOS
传感器尺寸	Type 1
像元尺寸	5.5 μm × 5.5 μm
标准镜头接口	C-Mount
最大满帧帧率	26.3 fps
ADC	12 bit
缓存 (RAM)	64 MByte
非易失性内存 (Flash)	1024 KByte (for selected models only)
输出	
Bit位数	8/12 bit
黑白像素格式	Mono8, Mono12, Mono12Packed
通用输入输出(GPIOs)	
光耦 I/Os	1 input, 3 outputs
工作条件/尺寸	
工作温度	+5 °C to +45 °C housing temperature
电源要求 (DC)	12 to 24 VDC; PoE
功耗	2.3 W at 12 VDC; 2.7 W PoE
重量	80 g
尺寸(L × W × H in mm)	60.5 × 29.2 × 29.2 (including connectors)
符合规范	CE: 2014/30/EU (EMC), 2011/65/EU, including amendment 2015/863/EU (RoHS); FCC Class B; CAN ICES-003



## 特性

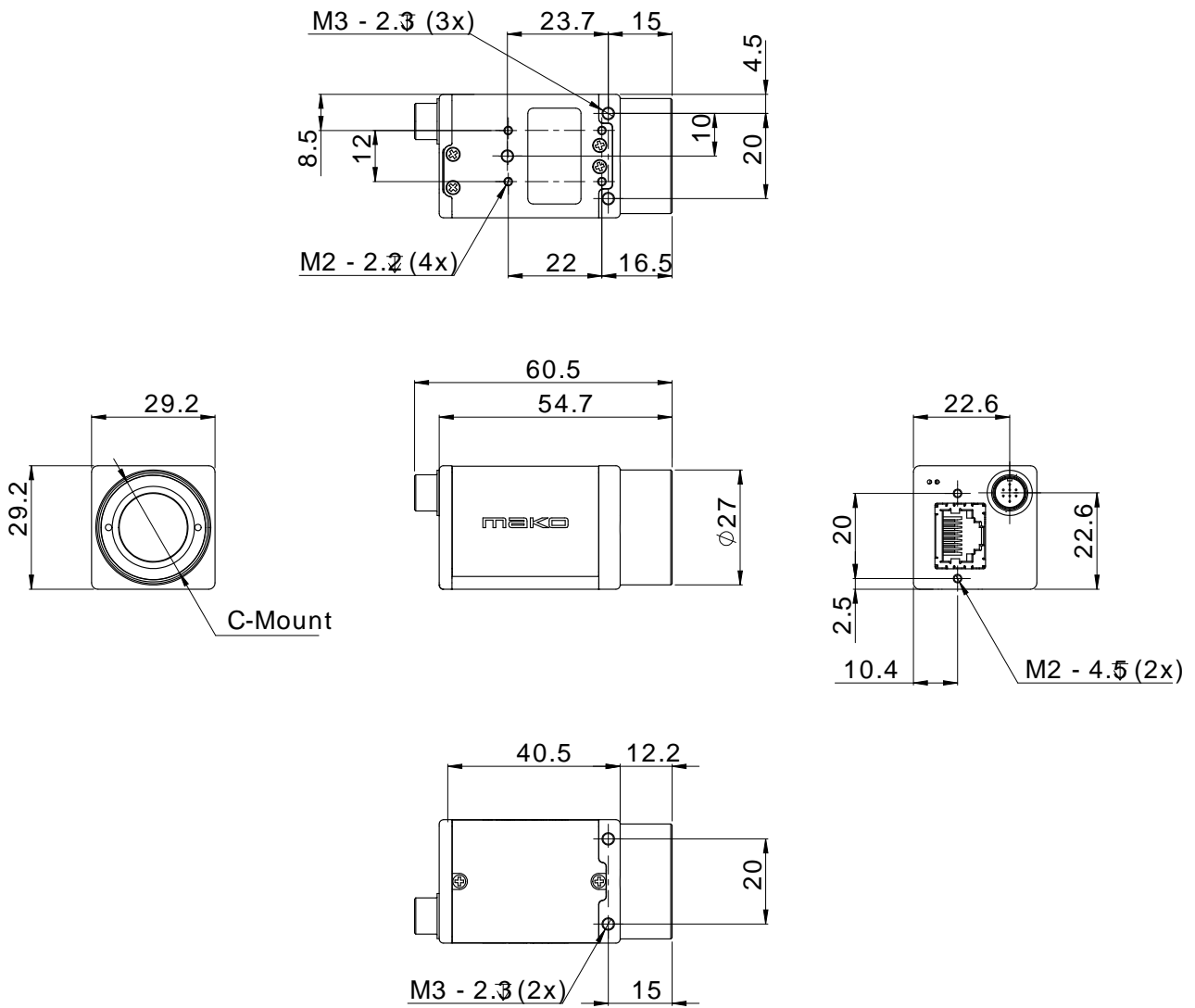
### Image optimization features:

- Auto gain (manual gain control: 0 to 26 dB; 1 dB increments)
- Auto exposure (manual exposure control: 41  $\mu$ s to 153 s; 1  $\mu$ s increments)
- Defect masking
- Gamma correction
- One look-up table (LUT)
- Piecewise Linear HDR mode
- Region of interest (ROI), separate ROI for auto features

### Camera control features:

- Event channel
- Image chunk data
- Storable user sets
- StreamBytesPerSecond (bandwidth control)
- Stream hold
- Sync out modes: Trigger ready, input, exposing, readout, imaging, strobe, GPO
- Temperature monitoring (main board only)
- Non-volatile memory 1024 KByte (for selected models only)

## 外形尺寸





## 应用场景

Mako G-419B NIR is suitable for a wide range of applications including:

- Robotics
- Quality control
- Inspection, surveillance
- Industrial imaging
- Machine vision
- Logistics