



## Guppy F-503



- IEEE 1394a camera
- Lightweight
- Robust design
- Machine vision camera

### 基本描述

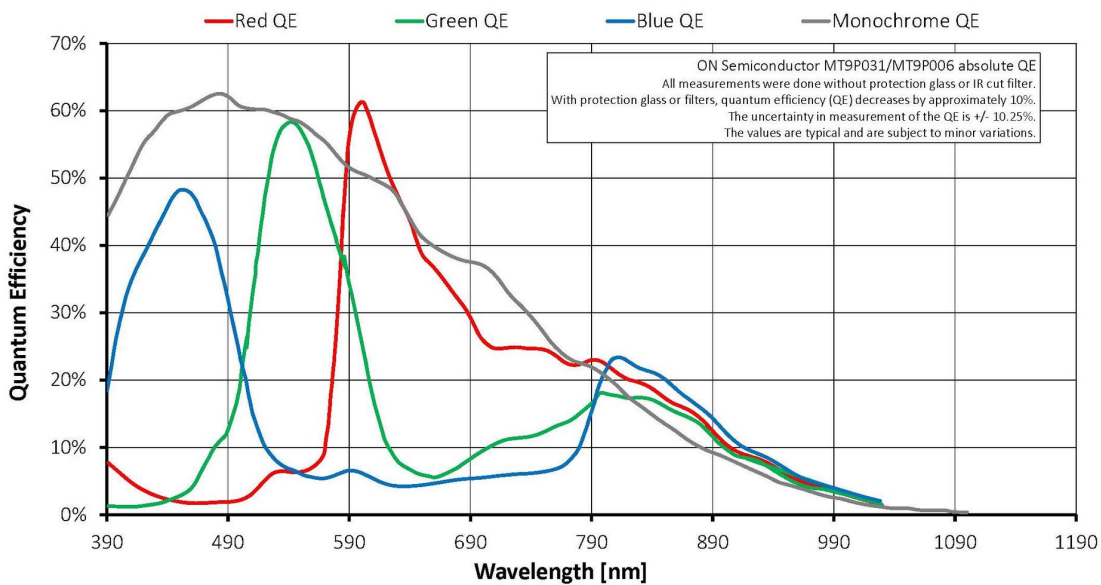
Very compact 5 Megapixel CMOS camera - attractive price - FireWire

The Guppy F-503B/F-503C is a very compact, economically priced camera with a CMOS sensor (no blooming). At full resolution, it runs up to 6.5 frames per second. Higher frame rates can be reached by a smaller area of interest (AOI), binning, or sub-sampling.

### 性能参数

Guppy	F-503
接口	IEEE 1394a - 400 Mb/s, 1 port
分辨率	2592 (H) × 1944 (V)
传感器	ON Semi MT9P031
传感器类型	CMOS
传感器尺寸	Type 1/2.5
像元尺寸	2.2 μm × 2.2 μm
标准镜头接口	C-Mount, CS-Mount
最大满帧帧率	6 fps
ADC	12 bit
缓存 (RAM)	
	输出
Bit位数	8/12 bit
黑白像素格式	Mono8, Mono12, Mono16
RGB彩色像素格式	n/a
原始像素格式	Raw8, Raw12, Raw16
	通用输入输出(GPIOs)
TTL I/Os	1 input, 3 outputs

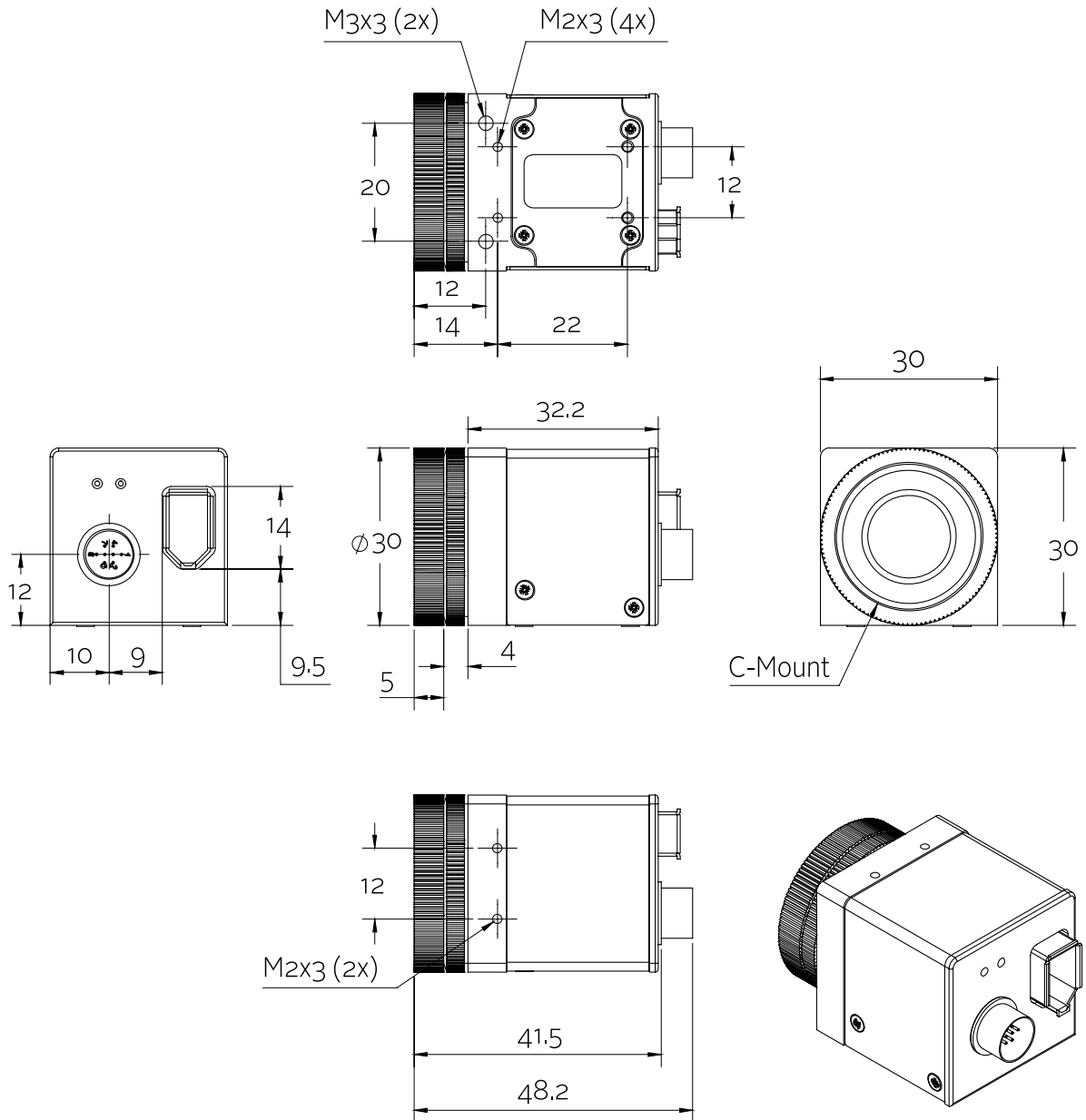
Guppy	F-503
RS232	1
工作条件/尺寸	
工作温度	+5 °C to +45 °C
电源要求 (DC)	8 V to 36 V
功耗	<2 W (@ 12 VDC)
重量	50 g
尺寸(L × W × H in mm)	48.2 × 30 × 30 (including connectors)
符合规范	CE: 2014/30/EU (EMC), 2011/65/EU (RoHS); FCC Class B



## 特性

- High Dynamic Range (HDR) mode
- Defect pixel correction
- Reverse X/Y
- Look-up table (LUT)
- Binning
- Decimation
- Area of interest (AOI), separate AOI for auto features
- Auto gain (0 to 26 dB)
- Auto exposure (41  $\mu$ s to 2.3 s)
- Auto white balance
- Storable user sets

## 外形尺寸





## 应用场景

The Guppy F-503B/F-503C is an economically priced 5 Megapixel camera; its CMOS sensor has no blooming and features the defect pixel correction mode. This camera fits a variety of applications:

- Quality control
- Industrial inspection
- Security and surveillance
- ITS/Traffic monitoring