



## Guppy F-146



- IEEE 1394a camera
- Lightweight
- Robust design
- Machine vision camera

### 基本描述

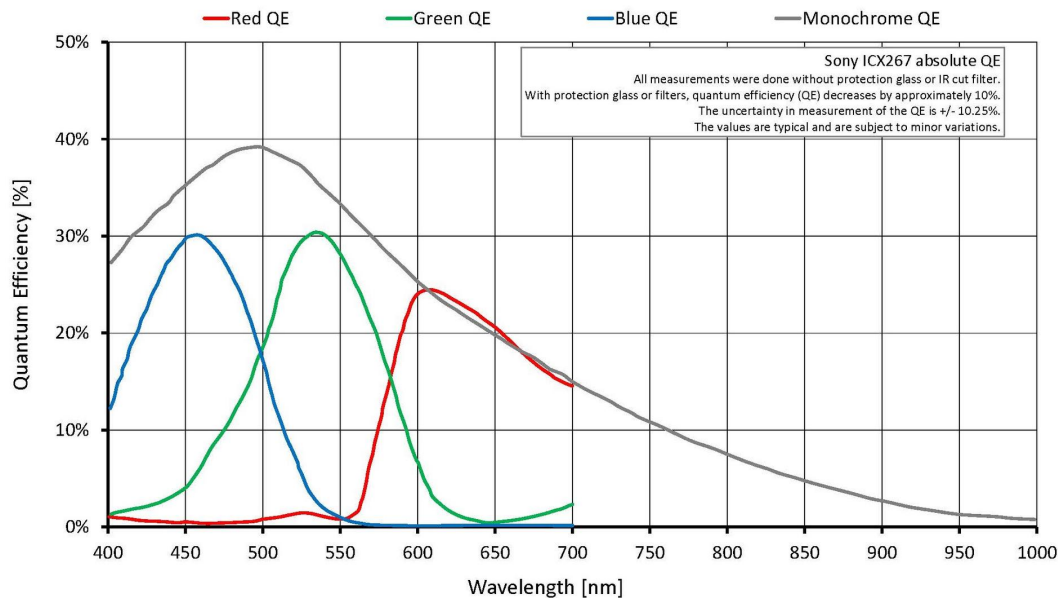
Very compact IEEE 1394a camera - attractive price - 1.4 Megapixel, Sony ICX267

The Guppy F-146B/F-146C is a very compact, economically priced camera with a sensitive Sony CCD sensor (Sony ICX267). At full resolution, it runs at up to 17.7 frames per second. Higher frame rates can be reached by a smaller area of interest (AOI).

### 性能参数

Guppy	F-146
接口	IEEE 1394a - 400 Mb/s, 1 port
分辨率	1392 (H) × 1040 (V)
传感器	Sony ICX267
传感器类型	CCD Progressive
传感器尺寸	Type 1/2
像元尺寸	4.65 μm × 4.65 μm
标准镜头接口	C-Mount, CS-Mount
最大满帧帧率	17 fps
ADC	12 bit
缓存 (RAM)	
	输出
Bit位数	8/12 bit
黑白像素格式	Mono8, Mono12, Mono16
RGB彩色像素格式	n/a
原始像素格式	Raw8, Raw12, Raw16
	通用输入输出(GPIOs)
TTL I/Os	1 input, 3 outputs

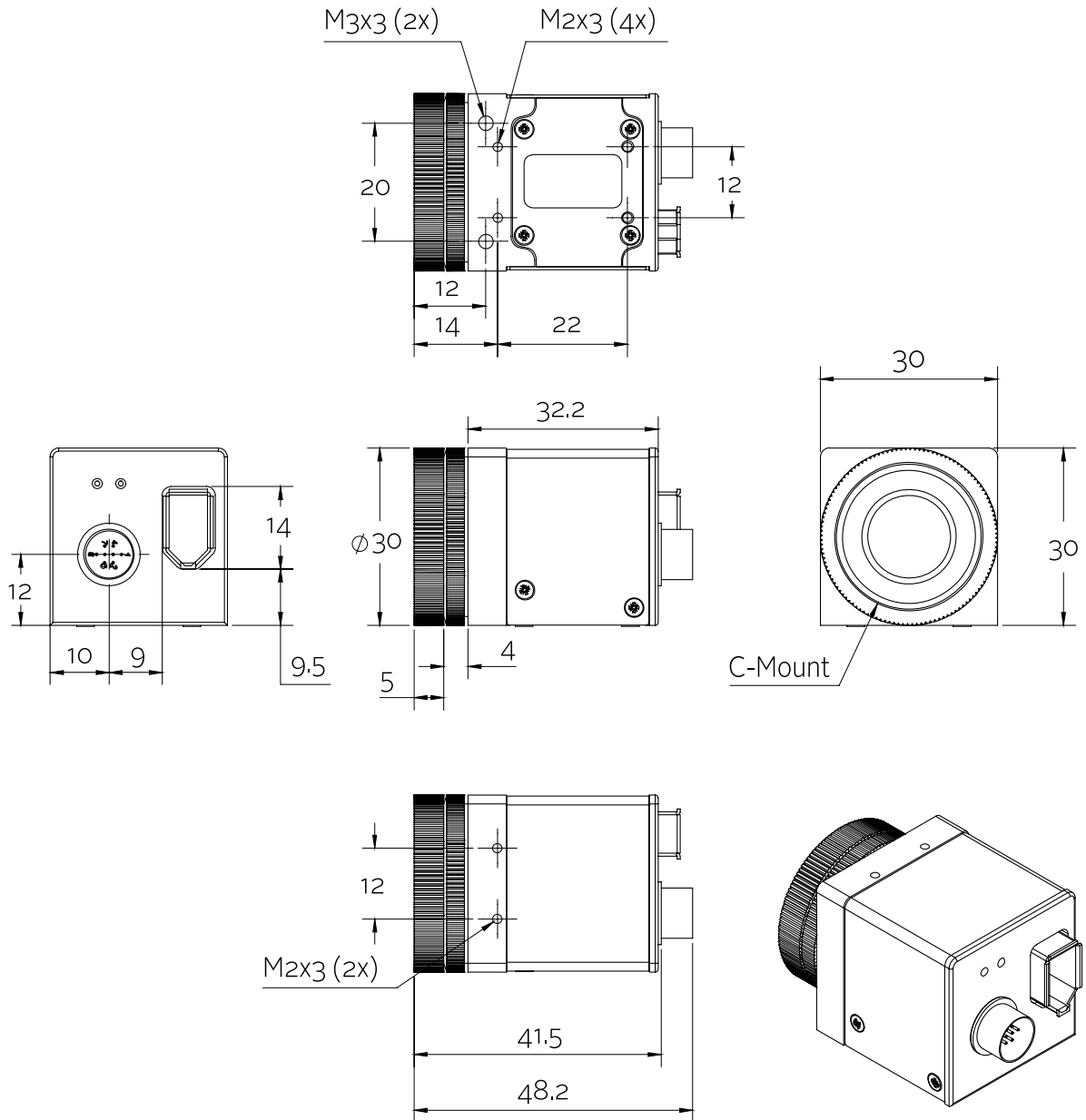
Guppy	F-146
RS232	1
工作条件/尺寸	
工作温度	+5 °C to +45 °C
电源要求 (DC)	8 V to 36 V
功耗	<2 W (@ 12 VDC)
重量	50 g
尺寸(L × W × H in mm)	48.2 × 30 × 30 (including connectors)
符合规范	CE: 2014/30/EU (EMC), 2011/65/EU (RoHS); FCC Class B



## 特性

- Look-up table (LUT)
- Area of interest (AOI), separate AOI for auto features
- Auto gain (0 to 24 dB)
- Auto exposure (40  $\mu$ s to 67 s)
- Auto white balance
- Storable user sets

## 外形尺寸





## 应用场景

The Guppy F-146B/F-146C has a very economical price, is ultra-compact and fits a large variety of applications:

- Machine vision
- Quality control
- Robotics
- Industrial inspection
- Security and surveillance