



Guppy F-046



- IEEE 1394a camera
- Lightweight
- Robust design
- Machine vision camera

基本描述

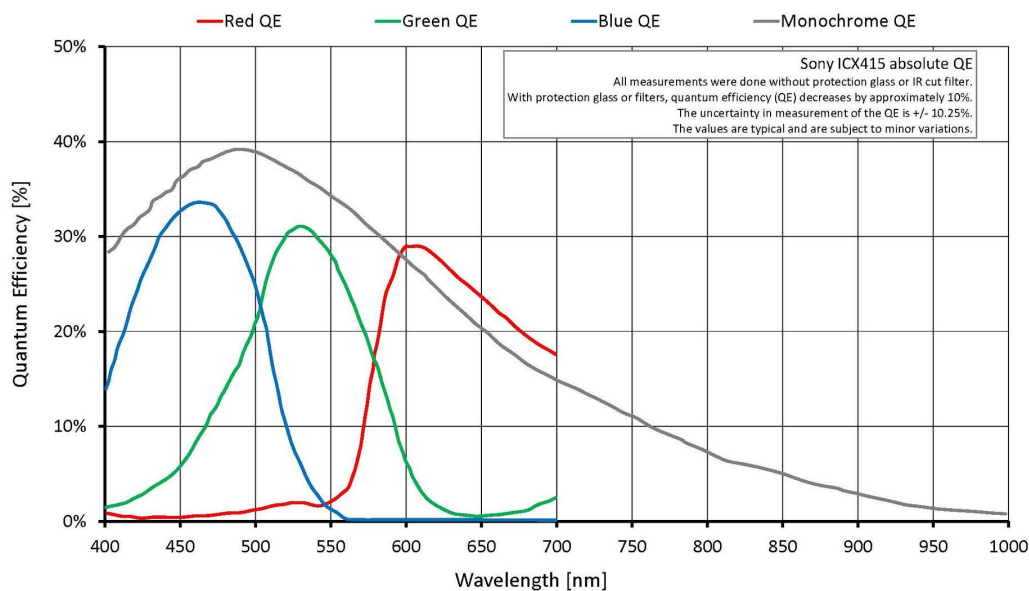
Very compact, inexpensive FireWire camera - 0.5 Megapixels

The Guppy F-046B/F-046C is a very compact, inexpensive camera with a sensitive Sony CCD sensor. At full resolution, it runs at up to 49.4 frames per second. Higher frame rates can be reached by a smaller area of interest (AOI).

性能参数

Guppy	F-046
接口	IEEE 1394a - 400 Mb/s, 1 port
分辨率	780 (H) × 582 (V)
传感器	Sony ICX415
传感器类型	CCD Progressive
传感器尺寸	Type 1/2
像元尺寸	8.3 μm × 8.3 μm
标准镜头接口	C-Mount, CS-Mount
最大满帧帧率	49 fps
ADC	12 bit
缓存 (RAM)	
	输出
Bit位数	8 bit
黑白像素格式	Mono8
RGB彩色像素格式	n/a
原始像素格式	Raw8
	通用输入输出(GPIOs)
TTL I/Os	1 input, 3 outputs

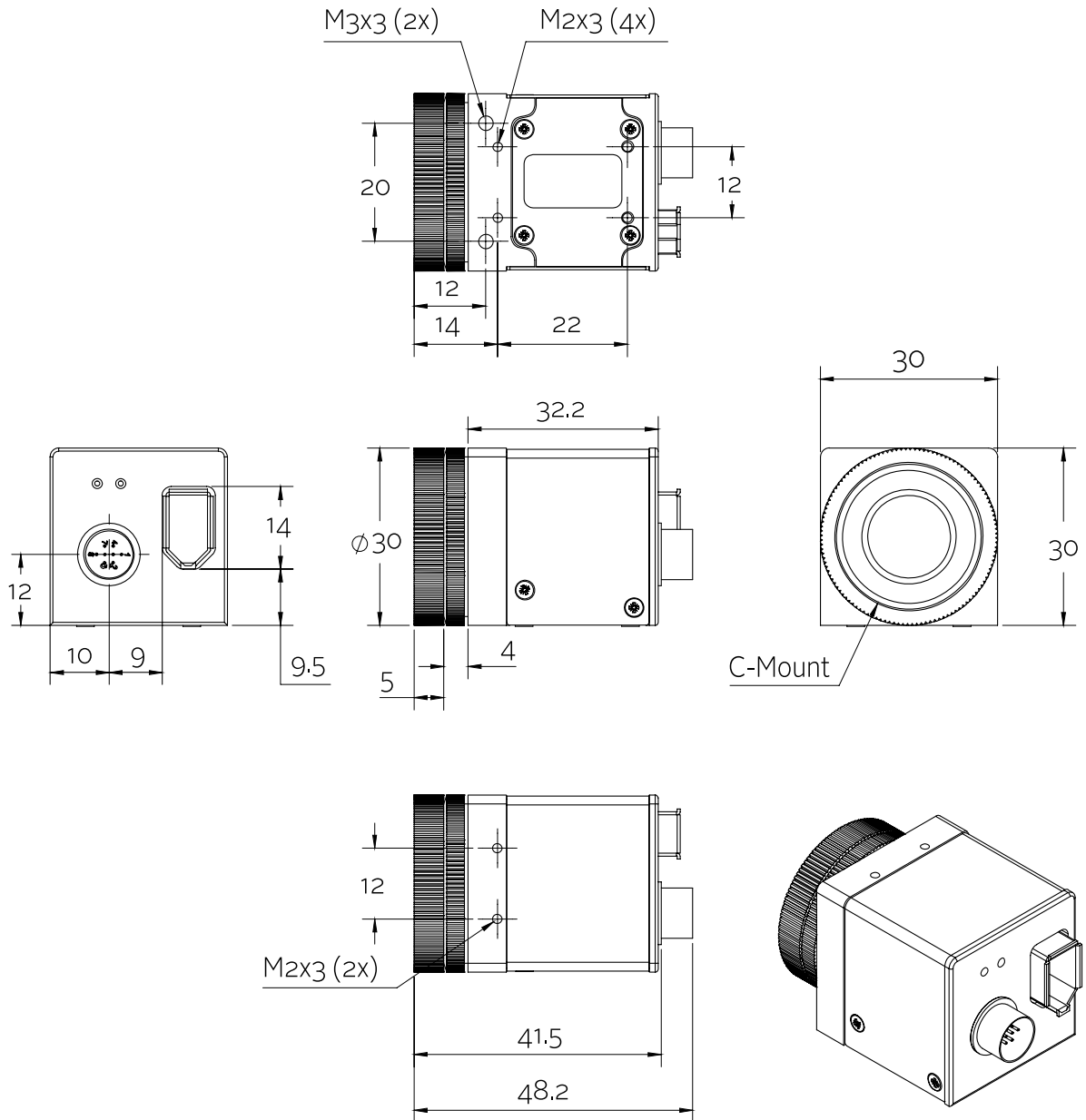
Guppy	F-046
RS232	1
工作条件/尺寸	
工作温度	+5 °C to +45 °C
电源要求 (DC)	8 V to 36 V
功耗	<2 W (@ 12 VDC)
重量	50 g
尺寸(L × W × H in mm)	48.2 × 30 × 30 (including connectors)
符合规范	CE: 2014/30/EU (EMC), 2011/65/EU (RoHS); FCC Class B



特性

- Look-up table (LUT)
- Area of interest (AOI), separate AOI for auto features
- Auto gain (0 to 24 dB)
- Auto exposure (42 μ s to 67 s)
- Auto white balance
- Storable user sets

外形尺寸





应用场景

This inexpensive, reliable mainstream 0.5 Megapixel camera addresses a wide range of imaging applications (e.g. robotics). With its ultra-compact housing, the Guppy F-046B/F-046C is the perfect fit for all applications with space constraints.

- Machine vision
- Robotics (robust, lightweight housing)
- Quality control
- Ophthalmology
- Semiconductor inspection
- Industrial inspection
- ITS/Traffic monitoring