



## Guppy F-044



- IEEE 1394a camera
- Lightweight
- Robust design
- Machine vision camera

### 基本描述

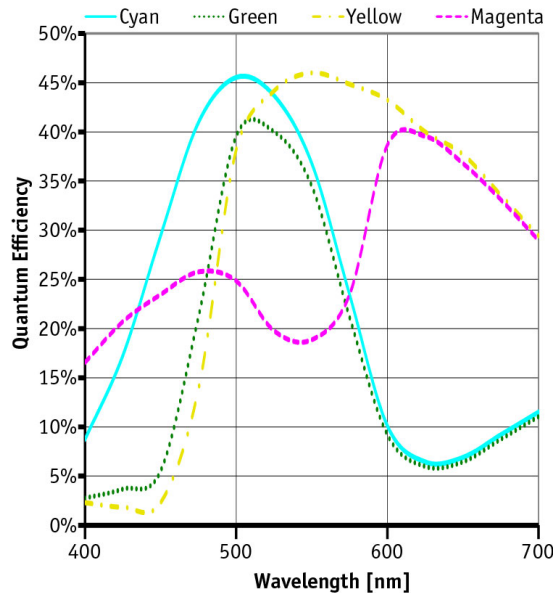
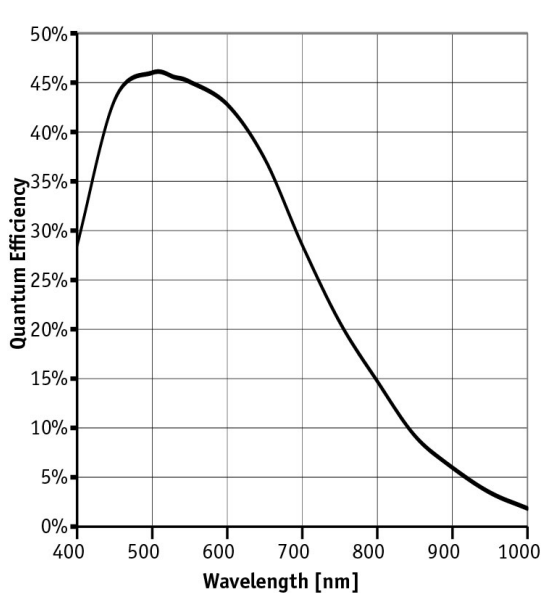
Ultra-compact, inexpensive 0.4 Megapixel camera - interlaced, high sensitivity

The Guppy F-044B/F-044C is equipped with an ultra-sensitive interlaced CCD sensor - which makes the move from analog to digital cameras (e.g. quality control applications) very easy. Additionally, with the Guppy F-044B NIR, a version with enhanced NIR sensitivity is available. At full resolution, it runs at up to 25 frames per second. Higher frame rates can be reached by a smaller area of interest (AOI).

### 性能参数

Guppy	F-044
接口	IEEE 1394a - 400 Mb/s, 1 port
分辨率	752 (H) × 580 (V)
传感器	Sony ICX419
传感器类型	CCD Interlaced
传感器尺寸	Type 1/2
像元尺寸	8.6 μm × 8.3 μm
标准镜头接口	C-Mount, CS-Mount
最大满帧帧率	25 fps
ADC	12 bit
缓存 (RAM)	
	输出
Bit位数	8 bit
黑白像素格式	Mono8
RGB彩色像素格式	n/a
原始像素格式	Raw8

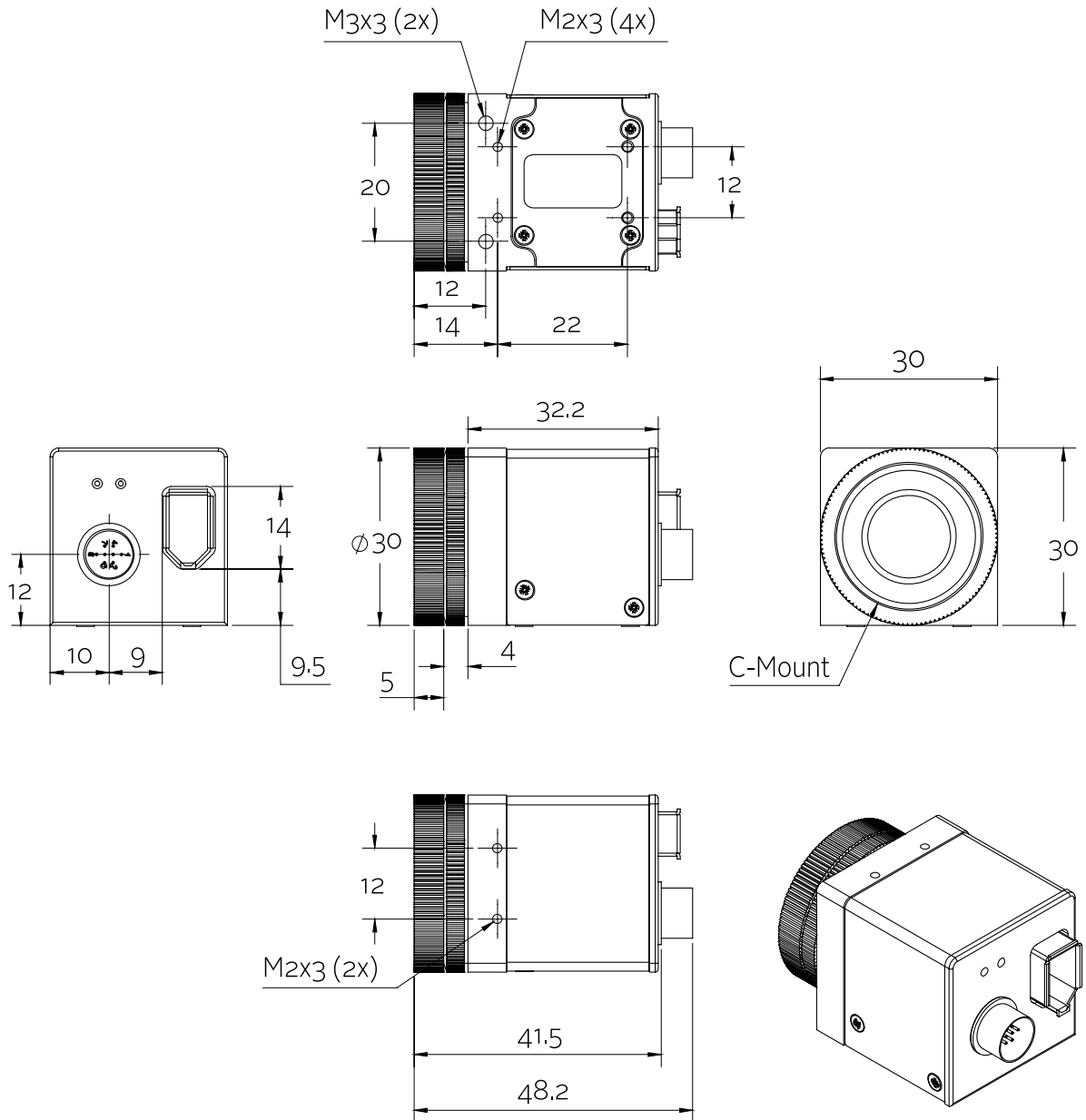
Guppy	F-044
	通用输入输出(GPIOs)
TTL I/Os	1 input, 3 outputs
RS232	1
	工作条件/尺寸
工作温度	+5 °C to +45 °C
电源要求 (DC)	8 V to 36 V
功耗	<2 W (@ 12 VDC)
重量	50 g
尺寸(L × W × H in mm)	48.2 × 30 × 30 (including connectors)
符合规范	CE: 2014/30/EU (EMC), 2011/65/EU (RoHS); FCC Class B



## 特性

- Look-up table (LUT)
- Area of interest (AOI), separate AOI for auto features
- Auto gain (0 to 24 dB)
- Auto exposure (62  $\mu$ s to 67 s)
- Auto white balance
- Storable user sets

## 外形尺寸





## 应用场景

Due to the very sensitive interlaced sensor, the Guppy F-044B/F-044C is a very inexpensive, easy solution for the switch from analog to digital cameras, e.g for quality control. The Guppy F-044B NIR version has enhanced near infrared sensitivity.

- Machine vision
- Quality control
- Industrial inspection
- Robotics
- Security and surveillance
- Pharma
- Semiconductor inspection
- ITS/Traffic monitoring