



Guppy F-038



- IEEE 1394a camera
- Lightweight
- Robust design
- Machine vision camera

基本描述

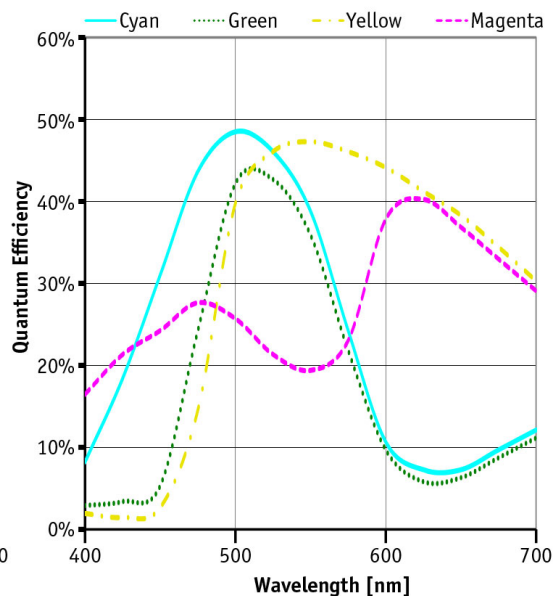
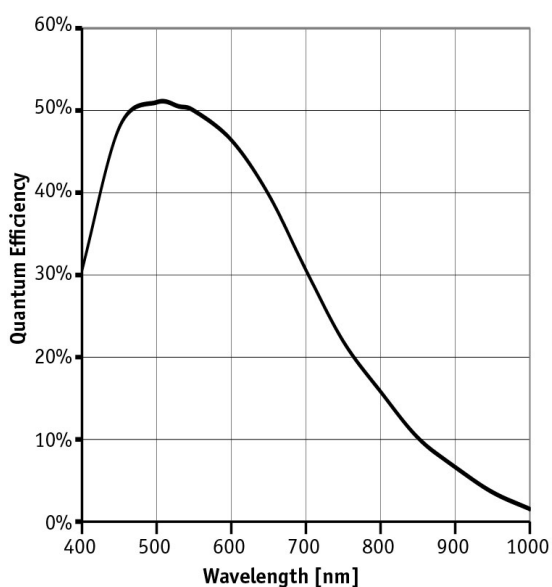
Sensitive machine vision camera, 0.4 Megapixel, interlaced sensor

The Guppy F-038B/F-038C is equipped with a sensitive interlaced sensor - which makes the move from analog to digital machine vision cameras very easy. At full resolution, it runs at up to 30 frames per second. Higher frame rates can be reached by a smaller area of interest (AOI).

性能参数

Guppy	F-038
接口	IEEE 1394a - 400 Mb/s, 1 port
分辨率	768 (H) × 492 (V)
传感器	Sony ICX418
传感器类型	CCD Interlaced
传感器尺寸	Type 1/2
像元尺寸	8.4 μm × 9.8 μm
标准镜头接口	C-Mount, CS-Mount
最大满帧帧率	30 fps
ADC	12 bit
缓存 (RAM)	
	输出
Bit位数	8 bit
黑白像素格式	Mono8
RGB彩色像素格式	n/a
原始像素格式	Raw8
	通用输入输出(GPIOs)
TTL I/Os	1 input, 3 outputs

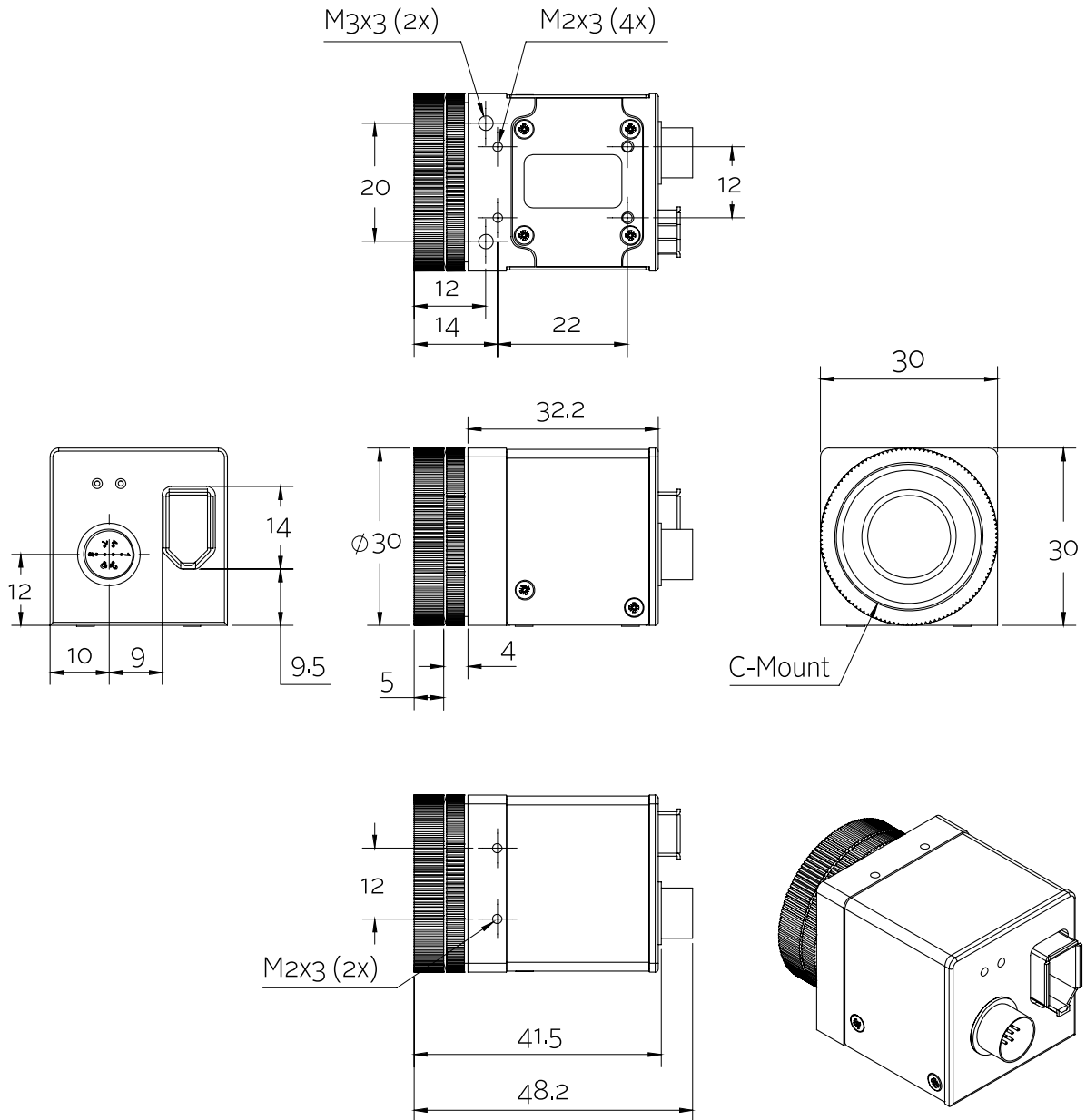
Guppy	F-038
RS232	1
工作条件/尺寸	
工作温度	+5 °C to +45 °C
电源要求 (DC)	8 V to 36 V
功耗	<2 W (@ 12 VDC)
重量	50 g
尺寸(L × W × H in mm)	48.2 × 30 × 30 (including connectors)
符合规范	CE: 2014/30/EU (EMC), 2011/65/EU (RoHS); FCC Class B



特性

- Look-up table (LUT)
- Area of interest (AOI), separate AOI for auto features
- Auto gain (0 to 24 dB)
- Auto exposure (62 μ s to 67 s)
- Auto white balance
- Storable user sets

外形尺寸





应用场景

Thanks to its sensitive interlaced sensor, the Guppy F-038B/F-038C is a very cost-effective, easy solution for the switch from analog to digital machine vision cameras.

- Machine vision
- Quality control
- Robotics
- Industrial inspection
- Security and surveillance
- ITS/Traffic monitoring