



## Guppy F-036



- IEEE 1394a camera
- Lightweight
- Robust design
- Machine vision camera

### 基本描述

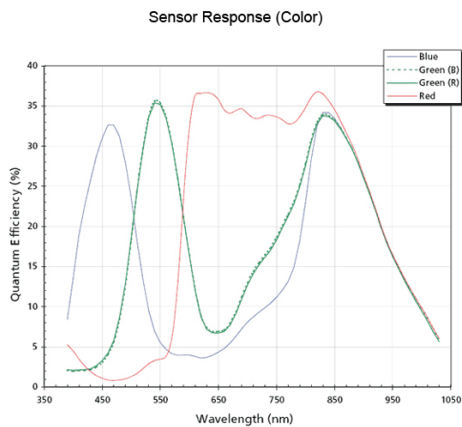
Ultra-compact, inexpensive high contrast VGA camera with HDR mode

The Guppy F-036B/F-036C is an ultra-compact, inexpensive VGA camera for applications with high contrasts. It is equipped with a CMOS sensor by ON Semiconductor (Aptina) which supports the High Dynamic Range (HDR) mode. At full resolution, it runs at up to 58 frames per second. Higher frame rates can be reached by a smaller area of interest (AOI).

### 性能参数

Guppy	F-036
接口	IEEE 1394a - 400 Mb/s, 1 port
分辨率	752 (H) × 480 (V)
传感器	ON Semi MT9V022
传感器类型	CMOS
传感器尺寸	Type 1/3
像元尺寸	6 μm x 6 μm
标准镜头接口	C-Mount, CS-Mount
最大满帧帧率	64 fps
ADC	10 bit
缓存 (RAM)	
	输出
Bit位数	8 bit
黑白像素格式	Mono8
RGB彩色像素格式	n/a
原始像素格式	Raw8
	通用输入输出(GPIOs)

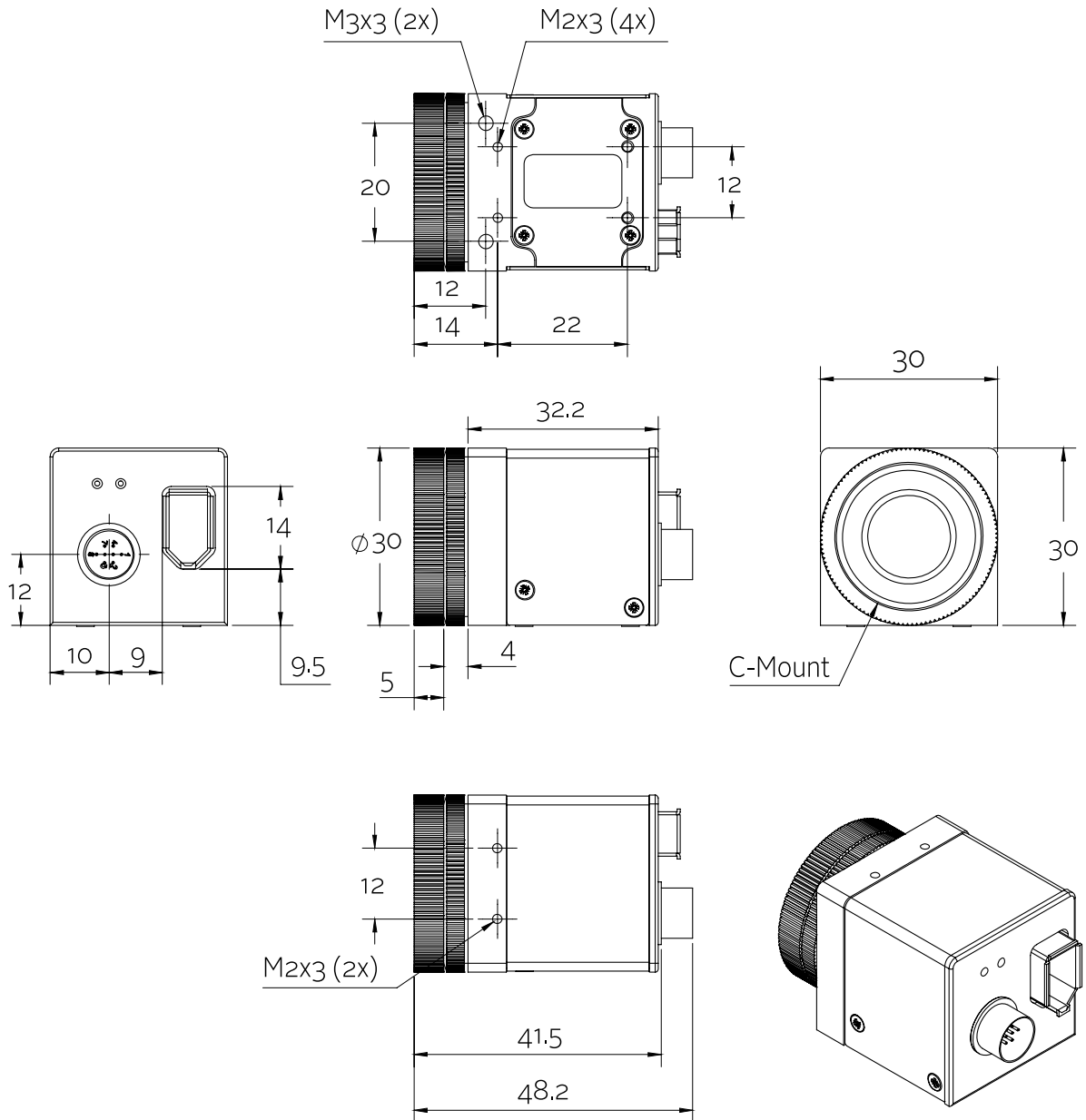
Guppy	F-036
TTL I/Os	1 input, 3 outputs
RS232	1
工作条件/尺寸	
工作温度	+5 °C to +45 °C
电源要求 (DC)	8 V to 36 V
功耗	<2 W (@ 12 VDC)
重量	50 g
尺寸(L × W × H in mm)	48.2 × 30 × 30 (including connectors)
符合规范	CE: 2014/30/EU (EMC), 2011/65/EU (RoHS); FCC Class B



## 特性

- High Dynamic Range (HDR) mode
- Reverse X/Y
- Look-up table (LUT)
- Binning
- Area of interest (AOI), separate AOI for auto features
- Auto gain (0 to 12 dB)
- Auto exposure (179  $\mu$ s to 979 ms)
- Auto white balance
- Storable user sets

## 外形尺寸





## 应用场景

The CMOS sensor of the Guppy F-036B/F-036C has no blooming and supports the High Dynamic Range (HDR) mode. For this reason, this FireWire camera is made for applications with intense illumination and high contrasts.

- Surveillance and Security
- Inspection and Control
- Robotics
- ITS/Traffic monitoring
- Applications with high contrasts