



Guppy F-033



- IEEE 1394a camera
- Lightweight
- Robust design
- Machine vision camera

基本描述

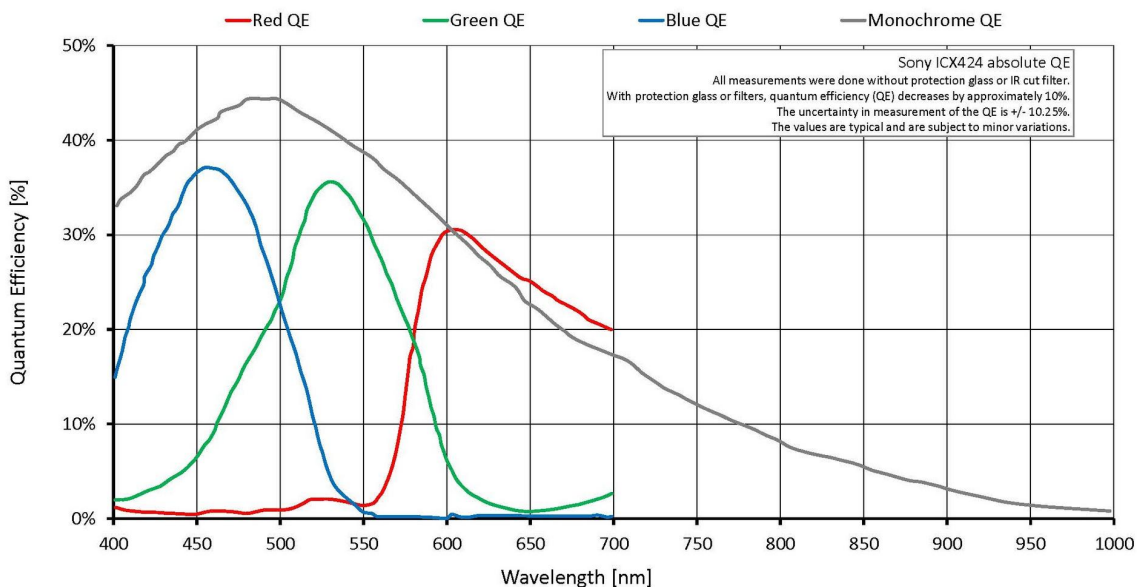
Ultra-compact, inexpensive IEEE 1394a VGA machine vision camera

The Guppy F-033B/F-033C is an ultra-compact, inexpensive VGA machine vision camera with a sensitive CCD sensor (Sony ICX424). At full resolution, it runs up to 58 frames per second. Higher frame rates can be reached by a smaller area of interest (AOI).

性能参数

| | |
|-----------|-------------------------------|
| Guppy | F-033 |
| 接口 | IEEE 1394a - 400 Mb/s, 1 port |
| 分辨率 | 656 (H) × 494 (V) |
| 传感器 | Sony ICX424 |
| 传感器类型 | CCD Progressive |
| 传感器尺寸 | Type 1/3 |
| 像元尺寸 | 7.4 μm × 7.4 μm |
| 标准镜头接口 | C-Mount, CS-Mount |
| 最大满帧帧率 | 58 fps |
| ADC | 10 bit |
| 缓存 (RAM) | |
| | 输出 |
| Bit位数 | 8 bit |
| 黑白像素格式 | Mono8 |
| RGB彩色像素格式 | n/a |
| 原始像素格式 | Raw8 |
| | 通用输入输出(GPIOs) |
| TTL I/Os | 1 input, 3 outputs |

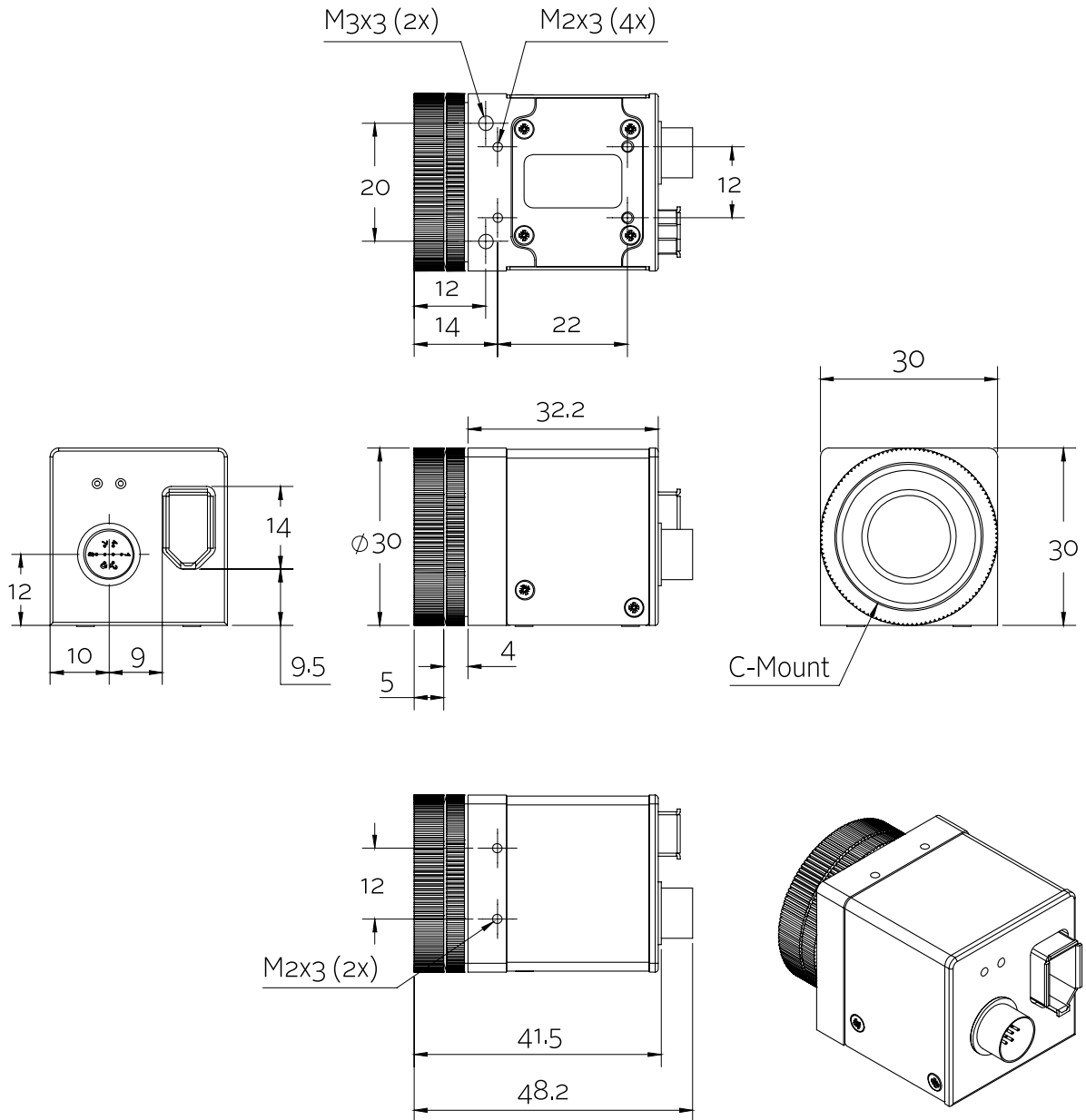
| | |
|---------------------|--|
| Guppy | F-033 |
| RS232 | 1 |
| 工作条件/尺寸 | |
| 工作温度 | +5 °C to +45 °C |
| 电源要求 (DC) | 8 V to 36 V |
| 功耗 | <2 W (@ 12 VDC) |
| 重量 | 50 g |
| 尺寸(L × W × H in mm) | 48.2 × 30 × 30 (including connectors) |
| 符合规范 | CE: 2014/30/EU (EMC), 2011/65/EU (RoHS); FCC Class B |



特性

- Look-up table (LUT)
- Area of interest (AOI), separate AOI for auto features
- Auto gain (0 to 24 dB)
- Auto exposure (129 μ s to 67 s)
- Auto white balance
- Storable user sets

外形尺寸





应用场景

This inexpensive, reliable mainstream VGA machine vision camera addresses a wide range of imaging applications. With its ultra-compact, small housing, the Guppy F-033B/F-033C is the perfect fit for all applications with space constraints.

- Machine vision
- Robotics (robust housing, lightweight camera)
- Quality control
- Ophthalmology
- Semiconductor inspection
- Industrial inspection
- ITS/Traffic monitoring