

# Prosilica GC 660



- Sony ICX618 sensor
- 121 fps @ full resolution
- Rugged housing
- Video-type auto iris

## GigE Vision, Sony EXview ICX618 CCD sensor, auto-iris, 121 fps

Prosilica GC660 is a 0.9 Megapixel camera with a GigE Vision compliant Gigabit Ethernet interface and Hirose port. Prosilica GC660 is offered in both monochrome and color models. This camera incorporates the high quality Type 1/4 (4.5 mm diagonal) Sony ICX618 CCD sensor with EXview HAD CCD technology that provides superior image quality, excellent sensitivity, and low noise. At full resolution, this camera has a frame rate of 121 frames per second. With a smaller region of interest higher frame rates are possible. By default monochrome models ship with no optical filter and color models ship with an IRC30 IR cut filter.

### Benefits and features:

- Monochrome (GC660) and color (GC660C) models
- GigE Vision interface
- Screw mount RJ45 Ethernet connector for industrial environments
- Supports cable lengths up to 100 meters (CAT-5e or CAT-6)
- Popular C-Mount lens mount
- Standard M3 mounting holes and optional tripod adapter
- Support for popular third party image-processing libraries including Cognex VisionPro, MathWorks MATLAB, and National Instruments LabVIEW

### Options:

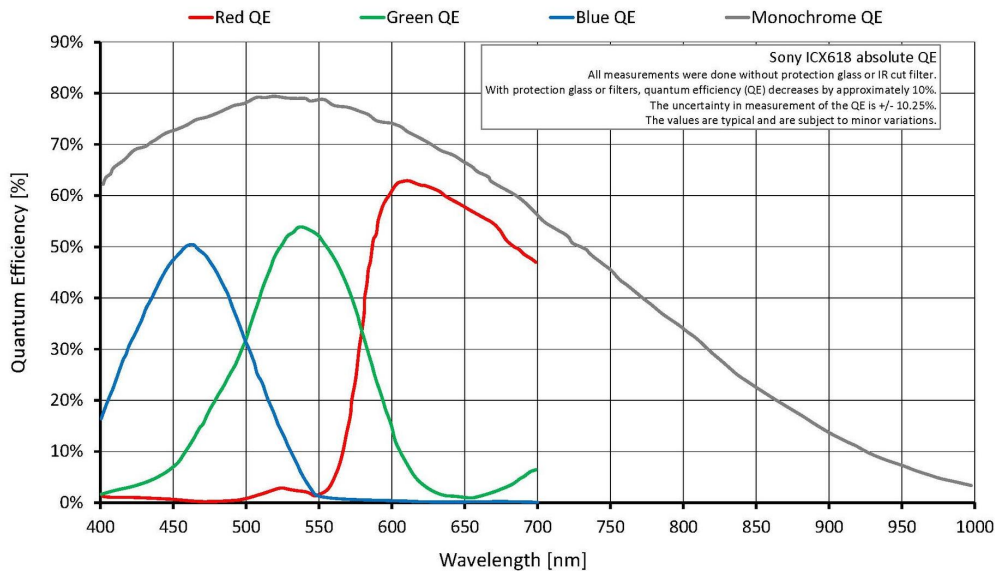
- CS-Mount
- Optical filters (IR cut filter/Protection glass)

See the [Modular Concept](#) for lens mount and optical filter options.

## 性能参数

Prosilica GC	660
接口	IEEE 802.3 1000baseT
分辨率	658 (H) × 493 (V)
传感器	Sony ICX618
传感器类型	CCD Progressive
传感器尺寸	Type 1/4
像元尺寸	5.6 μm × 5.6 μm
标准镜头接口	C-Mount
最大满帧帧率	121 fps
ADC	12 Bit
缓存 (RAM)	64 MByte
非易失性内存 (Flash)	1024 KByte (for selected models only)
<b>成像性能</b>	
<p>成像性能数据是基于欧洲机器视觉协会 (EMVA) 1288发布的3.1版图像传感器和像机特征描述标准中的评估方法。测量值是在没有光学滤波片的全分辨率下，测量单色模型的典型值。请联系销售或工程师了解更多信息。</p>	
在波长为529nm下，量子转换效率	79 %
暗噪声	16.7 e <sup>-</sup>
饱和电子数	49400 e <sup>-</sup>
动态范围	61.0 dB
绝对灵敏度阈值	17.3 e <sup>-</sup>
<b>输出</b>	
Bit位数	8/12 Bit
黑白像素格式	Mono8, Mono12, Mono12Packed
RGB彩色像素格式	RGB8Packed, BGR8Packed
原始像素格式	BayerRG8, BayerRG12, BayerRG12Packed
<b>通用输入输出(GPIOs)</b>	
TTL I/Os	1 input, 1 output
光耦 I/Os	1 input, 1 output
RS232	1
<b>工作条件/尺寸</b>	
工作温度	0 °C to +50 °C ambient (without condensation)
电源要求 (DC)	5 to 25 VDC
功耗	3 W at 12 VDC
重量	105 g

Prosilica GC	660
尺寸(L × W × H in mm)	59 × 46 × 33 (including connectors)
符合规范	CE: 2014/30/EU (EMC), 2011/65/EU, including amendment 2015/863/EU (RoHS); FCC Class A; CAN ICES-003



## 特性

### Image optimization features:

- Auto gain (manual gain control: 0 to 34 dB; 1 dB increments)
- Auto exposure (manual exposure control: 10  $\mu$ s to 72.9 s; 1  $\mu$ s increments)
- Auto white balance (GC660C only)
- Binning (horizontal and vertical) (sum)
- Black level (Offset)
- Gamma correction
- Hue, saturation, color transformation (GC660C only)
- Three look-up tables (LUTs)
- Region of interest (ROI), DSP subregion (selectable ROI for auto features)

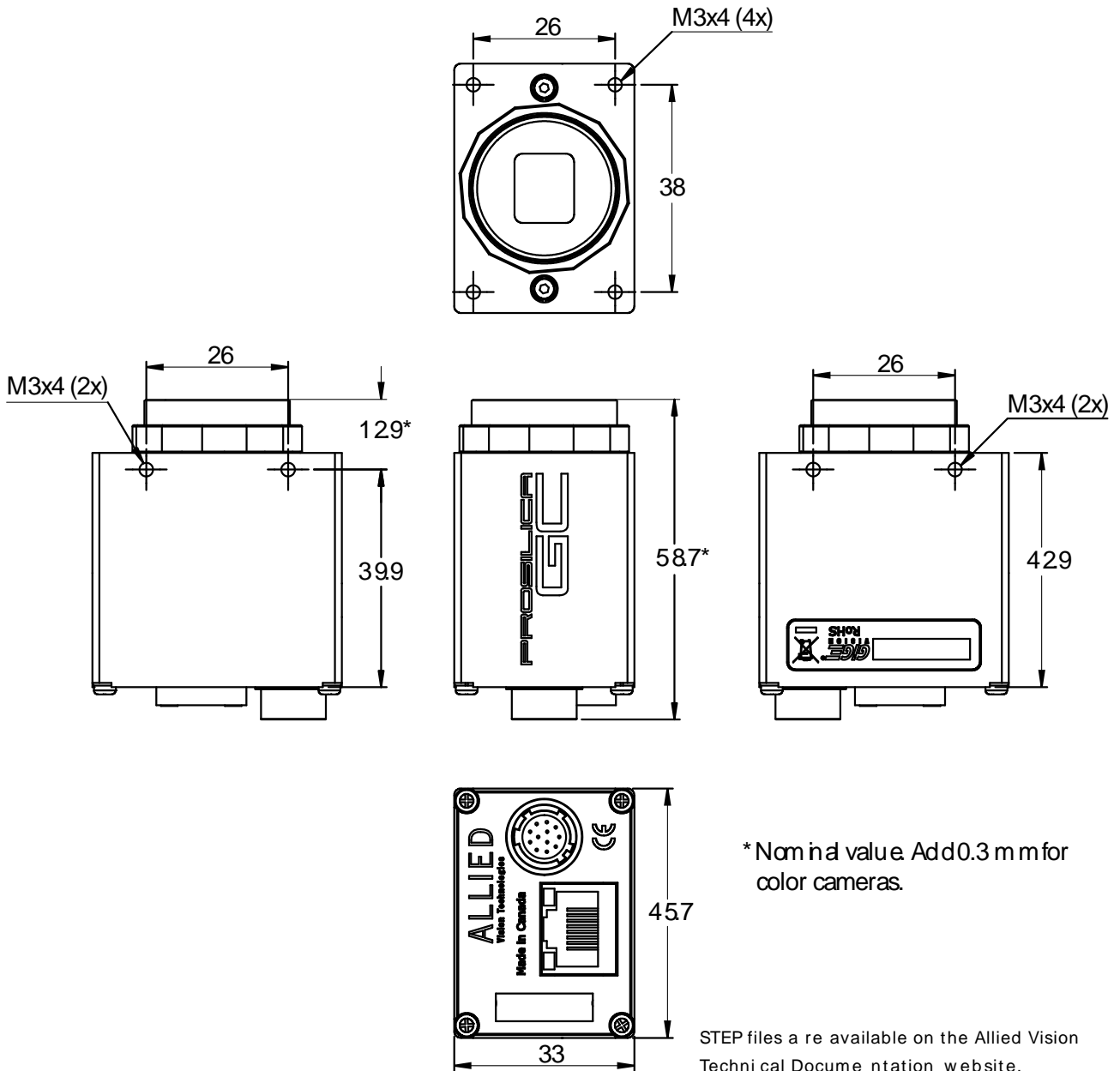
### Camera control features:

- Auto-iris (video type)
- Event channel



- Global shutter (digital shutter)
- IEEE 1588 Precision Time Protocol
- Image chunk data
- Recorder and Multiframe acquisition modes
- RS232
- Three storable user sets
- StreamBytesPerSecond (easy bandwidth control)
- StreamHoldCapacity (up to 194 frames at full resolution)
- Sync out modes: Trigger ready, input, exposing, readout, imaging, strobe, GPO
- Temperature monitoring (mainboard only)
- Non-volatile memory 1024 KByte (for selected models only)

## 外形尺寸





## 应用场景

Prosilica GC660 is ideal for a wide range of applications including:

- Machine vision
- Industrial inspection
- Public security
- Traffic monitoring
- Robotics