



# Guppy PRO

## F-095



- Color camera
- ideal for 720p
- Low-light camera
- High NIR sensitivity

## Small color camera with ICX692 and 1394b

The Guppy PRO F-095C is a very sensitive color camera with the EXview HAD II ICX692 sensor. This sensor has a very good sensitivity both in the visible and NIR spectrum. Therefore, the Guppy PRO F-095C is well suited for low-light applications, especially security and surveillance. Options

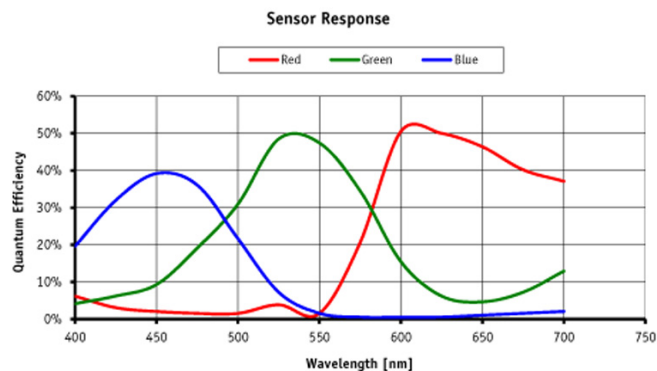
- Various IR cut/pass filters
- White medical housing

## 性能参数

Guppy PRO	F-095
接口	IEEE 1394b - 800 Mb/s, 1 port
分辨率	1280 × 720
传感器	Sony ICX692
传感器类型	CCD Progressive
传感器尺寸	Type 1/3
像元尺寸	4.08 μm × 4.08 μm
Lens mount (default)	C-Mount
最大满帧帧率	38 fps
ADC	14 Bit
缓存 (RAM)	
	输出
Bit位数	8-14 Bit
黑白像素格式	8/12/16
RGB彩色像素格式	RGB8

Guppy PRO	F-095
原始像素格式	8/12/16
通用输入输出(GPIOs)	
光耦 I/Os	1/3
工作条件/尺寸	
工作温度	+5 °C ... +45 °C
电源要求 (DC)	8 V - 36 V
功耗	<3.5 W
重量	80 g
尺寸(L × W × H in mm)	44.8 × 29 × 29 mm incl. connectors
符合规范	CE: 2014/30/EU (EMC), 2011/65/EU, including amendment 2015/863/EU (RoHS); FCC Class B

## 量子转换效率



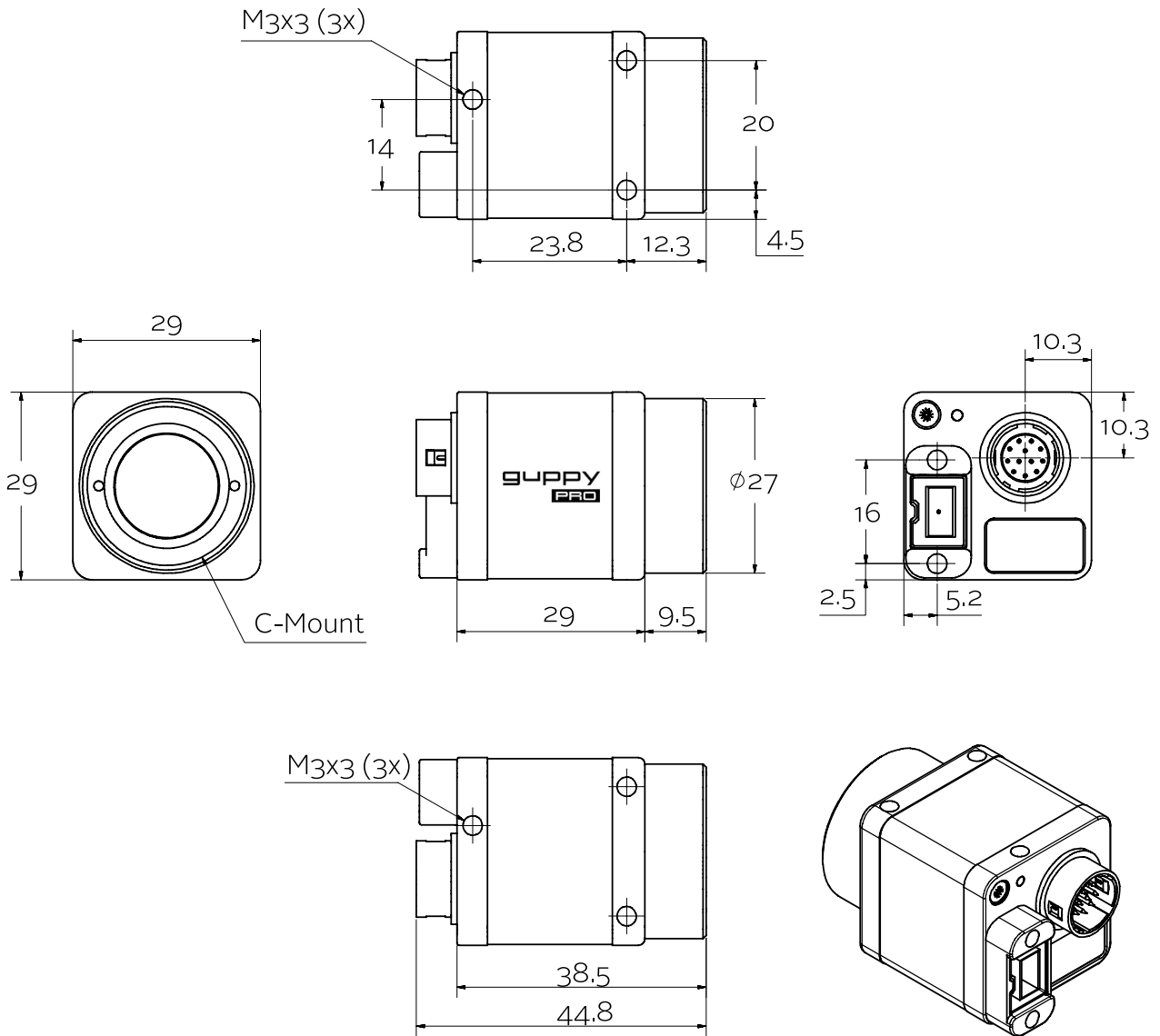
## 特性

- LUT (look-up table)
- Gamma
- Color correction
- AOI, separate AOI for auto features
- Binning
- Sub-sampling
- Auto gain (manual gain control: 0 to 24.4 dB)



- Auto exposure (39  $\mu$ s to 67 s)
- Trigger programmable, level, single, bulk, programmable delay
- Storable user sets

## 外形尺寸





## 应用场景

The Guppy PRO F-095C includes the new ICX692 sensor. This EXview HAD II sensor has a very good sensitivity both in the visible and NIR spectrum. Therefore, the Guppy PRO F-095C is well suited for low-light applications, especially security and surveillance.

- Security and surveillance
- Applications with low light
- Industrial inspection
- ITS/traffic monitoring
- ... and many more